



German Engineering

Spray Guns | Cup Systems | Breathing Protection | Air Filtration | Accessories



# Product Catalogue 2017

# Table of Contents

## Product Catalogue 2017

Table of Contents .....	2
General Information .....	3
Application Recommendations for Spray Guns I.....	4
Application Recommendations for Spray Guns II.....	5
Cutaway model SATAjet 5000 B.....	6
Application Recommendations for Cup Systems .....	7
Application Recommendations for Breathing Protection .....	8
Application Recommendations Filtration Technology.....	9
Application recommendation accessories .....	10
<b>Spray Guns.....</b>	<b>11</b>
SATAjet® 5000 B PHASER RP®/HVLP.....	12
Spare parts SATAjet® 5000 B PHASER.....	13
SATAjet® 5000 B RP®/HVLP .....	14
Spare Parts SATAjet® 5000 B.....	15
SATAjet® 4000 B RP®/HVLP.....	16
Spare Parts SATAjet® 4000 B.....	17
SATAjet® 3000 K RP®/HVLP .....	18
Spare Parts SATAjet® 3000 K.....	19
SATAjet® 4800 K spray mix .....	20
Spare parts SATAjet® 4800 K spray mix .....	21
SATAjet® 3000 K spray mix .....	22
Spare Parts SATAjet® 3000 K spray mix .....	23
SATAjet® 1000 B RP®/HVLP .....	24
Spare Parts SATAjet® 1000 B.....	25
SATAjet® 1000 B RP®, HVLP LIGNUM 2.....	26
Spare parts SATAjet® 1000 B LIGNUM 2.....	27
SATAjet® 1000 K RP®/HVLP .....	28
Spare Parts SATAjet® 1000 K.....	29
SATAjet® 1000 H RP®.....	30
Spare Parts SATAjet® 1000 H.....	31
SATAjet® 100 B F RP®/HVLP, B P .....	32
Spare Parts SATAjet® 100 B.....	33
SATAmijet® 4400 B RP®/HVLP.....	34
Spare parts SATAmijet® 4400 B.....	35
SATAmijet® 3000 B HVLP.....	36
Spare Parts SATAmijet® 3000 B HVLP .....	37
SATAmijet® 1000 K RP®/HVLP.....	38
Spare Parts SATAmijet® 1000 K.....	39
SATAmijet® 1000 H RP®/HVLP.....	40
Spare Parts SATAmijet® 1000 H.....	41
SATAjet® B (SATAjet® GR) .....	42
Spare Parts SATAjet® B (SATAjet® GR).....	43
SATAjet® H.....	44
Spare Parts SATAjet® H .....	45
SATA® spray master RP®.....	46
Spare Parts SATA® spray master RP® .....	47
SATAjet® 20 B.....	48
Spare Parts SATAjet® 20 B .....	49
SATAglyph™ 1/3/4 .....	50
Spare Parts SATAglyph™ 1/3/4.....	51
Extensions SATAjet® 1000 K RP®, B RP®.....	52
Accessories for SATA suction cup spray guns.....	53
Material and air connection SATAjet® 3000 K, 1000 K.....	54
Material and air connection SATAmijet® 1000 K.....	55
Nozzle Sets for Discontinued Gun Models.....	57
SATA adam 2, SATA adam 2 mini, SATA adam 2 U.....	58
Digital/Analogue pressure display with SATA .....	59
Spare Parts for SATA Spray Guns with Gravity Flow Cup I .....	60
Spare Parts for SATA Spray Guns with Gravity Flow Cup II.....	61
Accessories for Spray Guns Part I .....	62
Accessories for Spray Guns Part II.....	63
Spray gun Cleaning and Maintenance Part I .....	64
Spray gun Cleaning and Maintenance Part II .....	65

## Cup Systems..... 67

SATA® RPS® Disposable Cup System .....	68
Spare Parts SATA® RPS®.....	69
SATA® RPS® Accessories.....	70
Gravity flow cup for spray guns.....	72
Gravity flow cup for spray guns.....	73
RPS® Adapters for NON SATA GUNS.....	74
SATA® Agitator Cup .....	75
SATA® BVD™ .....	76

## Breathing Protection..... 77

Breathing Protection without Activated Charcoal Belt Unit.....	78
Breathing Protection with Activated Charcoal Belt Unit.....	79
SATA® air vision™ 5000.....	80
Spare Parts SATA® air vision™ 5000.....	81
SATA® vision™ 2000.....	82
Spare Parts SATA® vision™ 2000.....	83
SATA® air star® C.....	84
Spare Parts SATA® air star® C .....	85
Accessories for SATA vision 2000/SATA air star C.....	86
Spare Parts SATA® top air™/SATA® air warmer™.....	87
SATA® air star® F .....	88
Spare Parts SATA® air star® F.....	89

## Filter Technology .....

SATA® filter 100 prep™/101 prep™/103 prep™ .....	92
Spare Parts SATA® filter 103 prep™ .....	93
SATA® filter 414™/424™/434™/464™.....	94
Spare parts SATA® filter 424™/464™.....	95
SATA® filter 444™/474™/484™ .....	96
Spare Parts SATA® filter 444™/474™/484™.....	97
Accessories for SATA® filter series .....	98

## Accessories .....

SATA® mini set™ 2.....	100
Spare Parts SATA® mini set™ 2 .....	101
SATA® paint set™ 10 .....	102
Spare Parts SATA® paint set™ 10.....	103
SATA® Paint Pressure Tanks 24 l / 48 l.....	104
Spare Parts SATA® Paint Pressure Tanks 24 l / 48 l.....	105
SATA® vario top spray™.....	106
Spare Parts SATA® vario top spray™ .....	107
Spare Parts SATA® vario top spray™ Pumps .....	108
Spare Parts Material Fine Pressure Regulator .....	109
Grit Blasting Equipment / Blow Guns .....	110
Spare Parts Grit Blasting Equipment.....	111
Rustproofing Equipment.....	112
Spare Parts SATA® HRS™ .....	113
SATA anti-dust® jet™ X.....	114
Spare parts SATA anti-dust® jet™ X.....	115
SATA Cleaning Systems .....	116
SATA® clean RCS™ (compact, micro), SATA® multi clean™ 2 .....	117
SATA® trueSun .....	118
SATA® dry jet 2™ .....	119
SATA® hoses Part I.....	120
SATA® hoses Part II and Quick Couplings .....	121
SATA® Painting Coveralls .....	122
SATA® Multitool.....	123

# General Information

## ■ Technical Information

As most end-users use quick couplings, SATA spray guns are generally supplied with air inlet G 1/4" male thread without hose screws.

## ■ Terms of Delivery

All indicated prices are ex works. They exclude packaging, freight, shipment and insurance cost. The general terms and conditions of delivery and payment apply exclusively. They can be viewed at [www.sata.com/LZB](http://www.sata.com/LZB). Conditions on the part of the purchaser are not binding upon us.

## ■ Small Order Policy

Small orders with a value below a certain amount stipulated with the customer (list prices excl. VAT) will be invoiced at gross list prices without discount. Minimum order value: € 200.00 (excl. VAT). In case that nothing has been stipulated with the customer, a minimum order value of € 2,500.00 applies.

## ■ Exchange/Return

We only accept return and exchange of

products upon prior written authorisation by SATA. Goods for refund must be returned in unused, pristine condition and in their original packaging. Outdated, used or damaged parts will not be accepted for return. For the return of products which have been incorrectly ordered, or for other reasons which we cannot be held responsible for, a charge of 20 % of the nett purchase price will be levied to cover inspection and administrative costs. A handling charge of minimum € 50.00 will apply in any case for each transaction.

**We reserve the right to change the technical specifications of products at any time.**


## NEW AS OF 2017

### New article numbers








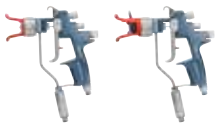
For the RPS disposable cup system, new article numbers will be implemented as of 2017

**The new RPS boxes will become available once the inventory of RPS boxes in the current design will have been completely sold.**









## Structure of the catalogue sheets (from page 12 onwards)

SATAjet 5000 B RP (DIGITAL)										
	The QR code on the respective product pages on the SATA website provides more information on the product as well as the paint application charts with the paint manufacturers' recommendations.									
① Nozzle	1.0	1,1	1.2	1.2 W	1.3	1.4	1.6	1.8	2.0	2.5
Standard with 0.6 l QCC reusable plastic cup, without swivel joint ②										
Art. No. ③	-	-	209627	209635	209643	209650	209668	-	-	-
Pressure Measurement and Adjustment										
211540 ⑦	⑦ SATA adam 2 >bar< for SATAjet 5000 B									
Caption:										
①	Nozzle size									
⑦	Article description									
⑦	Article number									

# Application Recommendations for Spray Guns I

Spray gun type	Fields of application	Operating mode
<p><b>SATAjet 5000 B PHASER</b>  <b>RP/HVLP</b>                      Page 12   13</p> <p><b>SATAjet 5000 B</b>  <b>RP/HVLP</b>                      Page 14   15</p>  	<p>Top coat application for perfect finishes of e.g. vehicles, utility vehicles, furniture, yachts or high quality industrial components with all paint systems.</p>	<ul style="list-style-type: none"> <li>Optionally available in HVLP low pressure or optimised high pressure RP technology</li> <li>Fan control</li> <li>Material flow control</li> <li>Air micrometer</li> <li>Gravity flow cup with QCC bayonet lock or RPS disposable cup</li> <li>Optional feature: integrated digital pressure gauge</li> </ul>
<p><b>SATAjet 4000 B</b>  <b>RP/HVLP</b>                      Page 16   17</p> 	<p>For top coat applications meeting highest requirements in terms of colour match precision, uniform distribution and gloss. Ideally suited for car refinish, interior design, wood coating and the furniture industry.</p>	<p>see SATAjet 5000 B</p>
<p><b>SATAjet 1000 B</b>  <b>RP/HVLP</b>                      Pages 24   25</p> <p><b>SATAjet 1000 B</b>  <b>RP/HVLP LIGNUM 2</b>                      Pages 26   27</p> <p><b>SATAjet 1000 H RP</b>                      Page 30   31</p> 	<p>For the application of a wide array of different materials, from primer materials and paint to glue and release agents in craft and industry. A comprehensive range of accessories is available for this spray gun, e.g. extensions, slit nozzles as well as nozzle set-ups for glue application.</p>	<ul style="list-style-type: none"> <li>Optionally available in HVLP low pressure or optimised high pressure RP technology</li> <li>Fan control</li> <li>Material flow control</li> <li>Air micrometer</li> <li>Gravity flow cup with QCC bayonet lock or suction cup</li> </ul>
<p><b>SATAjet 3000 K</b>  <b>RP/HVLP</b>                      Pages 18   19</p> 	<p>Ideally suited for coating large areas, e.g. on commercial vehicles, or other high-quality objects</p>	<ul style="list-style-type: none"> <li>To be used in combination with paint pressure tanks or low pressure pumps, e.g. SATA vario top spray</li> <li>Optionally available in HVLP low pressure or optimised high pressure RP technology</li> <li>axial fan control</li> <li>Material flow control</li> <li>Optional feature: integrated digital pressure gauge</li> </ul>
<p><b>SATAjet 3000 K spray mix</b>                      Page 22   23</p> 	<p>Ideally suited for coating large areas in the wood and metalworking industry</p>	<ul style="list-style-type: none"> <li>To be used in combination with high pressure pumps up to 250 bar</li> <li>Fan control</li> <li>Air micrometer</li> </ul>
<p><b>SATAjet 1000 K</b>  <b>RP/HVLP</b>                      Pages 28   29</p> 	<p>see SATAjet 3000 K</p>	<ul style="list-style-type: none"> <li>To be used in combination with paint pressure tanks or low pressure pumps, e.g. SATA vario top spray</li> </ul>
<p><b>SATAjet 4800 K spray mix</b>                      Pages 20   21</p> 	<p>Ideally suited for coating large areas in the wood and metalworking industry with airless or airmix technology</p>	<ul style="list-style-type: none"> <li>To be used in combination with high pressure pumps up to 250 bar</li> <li>Air micrometer</li> <li>swivel joint on material connection</li> </ul>

# Application Recommendations for Spray Guns II

Spray gun type	Fields of application	Operating mode
<b>SATAjet 100 B F</b> <b>RP/HVLP</b> Pages 32   33 	Application of primer and filler materials in refinish, craft and industry	<ul style="list-style-type: none"> <li>Optionally available in HVLP low pressure or optimised high pressure RP technology</li> <li>Fan control</li> <li>Material flow control</li> <li>Air micrometer</li> <li>Gravity flow cup with QCC bayonet lock</li> </ul>
<b>SATAjet 100 B P</b> Pages 32   33 	Application of sprayable putty	<ul style="list-style-type: none"> <li>High pressure spray gun with shortened air cap horns without air micrometer</li> <li>Functional components like SATAjet 100 B, however without air micrometer</li> </ul>
<b>SATAminijet 4400 B</b> <b>RP/HVLP</b> Page 34   35 	Spray gun for small paint jobs and areas of difficult access design in craft and industry. Also perfectly suitable for the application of release agents. Special SR nozzle sets for spot repairs in the automotive sector	<ul style="list-style-type: none"> <li>Optionally available in HVLP low pressure or optimised high pressure RP technology</li> <li>Fan control</li> <li>Material flow control</li> <li>Air micrometer</li> <li>Gravity flow cup with QCC bayonet lock or RPS disposable cup</li> <li>Special HVLP SR as well as RP SR nozzle sets</li> </ul>
<b>SATAminijet 1000 K</b> <b>RP/HVLP</b> Page 38   39 <b>SATAminijet 1000 H</b> <b>RP/HVLP</b> Page 40   41 	Spray gun for the manual serial coating of small and complex parts as well as for decorative and design applications, for instance in the toy or cosmetic industry. It is also perfectly suitable for the application of release agents and lubricants on diecasting or forging moulds	<ul style="list-style-type: none"> <li>Optionally available in HVLP low pressure or optimised high pressure RP technology</li> <li>To be used in combination with paint pressure tanks, e.g. SATA mini set 2</li> <li>Available as suction cup version in combination with RPS disposable cups</li> </ul>
<b>SATAjet 20 B</b> Pages 48   49 	Spray gun for custom design in craft and industry, calligraphy, patination	<ul style="list-style-type: none"> <li>Exclusively available with round spray nozzles</li> <li>Reusable cup</li> </ul>
<b>SATAgraph 1/3/4</b> Page 50   51 	Spray guns for custom design in craft and industry	<ul style="list-style-type: none"> <li>Airbrush gun with gravity or suction cup, resp.</li> <li>Exclusively available with round spray nozzles</li> <li>Some featuring double-action function</li> </ul>
<b>SATA spray master RP</b> Page 46   47 	Application of small amounts of high-viscosity materials	<ul style="list-style-type: none"> <li>Optimised high pressure RP</li> <li>Pressurised gravity flow cup with pressure regulation valve</li> </ul>
<b>SATA automatic spray guns</b> 	Please order the catalogue for industrial equipment at <a href="mailto:info@sata.com">info@sata.com</a> .	

# Cutaway model SATAjet 5000 B

## Cutaway model SATAjet 5000 B

Robust air cap made of chrome-plated brass with **QC™** air cap thread for quick change with one turn only.  
Air cap ring:  
green = HVLP technology  
blue = RP technology.



Fluid tip and paint needle made of corrosion-resistant stainless steel.

Material passage (red).

Air passages (blue).

Replaceable air distribution insert.

Fluid tip seal ensuring minimal cleaning effort and safe colour change.

Low maintenance, self-adjusting seals at air piston and paint needle.

Gun trigger with paint needle guard ensuring increased life time of the paint needle packing.

**Option:** Digital pressure display for exact pressure adjustment, perfect colour match and reproducibility.



**CCS™** – Color Code System. For the convenient identification of your spray gun.



**QCC®**– Quick Cup Connector. Bayonet cup connection. Ensures quick and clean cup change as well as easy cleaning.

Gun suspension hook for convenient storage.

Improved material flow control.

Air micrometer for the adjustment of the atomisation air. Highest precision with digital pressure gauge (optional).

Spray fan control allowing fine adjustment with a half turn only.

Ergonomically shaped gun handle.





Easy to clean, corrosion-resistant pearlodised™ surface

Air connection 1/4" male thread with optionally available swivel joint.







**Warranty:** Talking quality is not enough – we guarantee it: for three years!

# Application Recommendations for Cup Systems

Cup type/capacity	Fields of application	Connection
<p><b>SATA RPS disposable cup</b> 0.3 l / 0.6 l / 0.9 l Page 68   69</p> 	<p>Disposable gravity cup with paint sieve for frequent colour changes. For mixing, painting and storing. No adapters required for all current SATA spray guns</p>	<ul style="list-style-type: none"> <li>Optionally available with QCC bayonet lock and male thread</li> <li>Adapters for older SATA spray gun models and spray guns from other manufacturers are available</li> </ul>
<p><b>SATA reusable cup</b> 0.125 l / 0.15 l / 0.3 l / 0.6 l / 0.75 l / 1.0 l Page 72</p> 	<p>Reusable plastic or aluminium gravity flow cups for SATA spray guns</p>	<ul style="list-style-type: none"> <li>Optionally available with QCC bayonet lock and male thread or with female thread for older SATA spray gun models</li> </ul>
<p><b>SATA agitator cup</b> 0.7 l Page 75</p> 	<p>Reusable aluminium gravity flow cup with integrated agitator for the application of materials with settling components, e.g. effect paints. Agitator with air regulation valve for speed adjustment</p>	<ul style="list-style-type: none"> <li>Optionally available with QCC bayonet lock and male thread</li> </ul>
<p><b>SATA BVD adapter</b> 0.7 l Page 76</p> 	<p>Pressurised reusable aluminium gravity flow cup for the application of high-viscosity materials</p>	<ul style="list-style-type: none"> <li>Optionally available with QCC bayonet lock and male thread or with female thread for older SATA spray gun models</li> </ul>

# Application Recommendations for Breathing Protection

Respirator type		Fields of application/function
<b>SATA air vision 5000</b> Page 78 to 80		Ergonomically shaped (pressure fed) respirator hood <u>independent from ambient air</u> . Protects the entire head during work. Please observe the legal requirements of each country.
<b>SATA vision 2000</b> Page 82   83		Full face respirator protects the head incl. hair and neck / <u>independent from ambient air</u> (air supplied). Please observe the legal requirements of each country.
<b>SATA air star C</b> Page 84   85		Half mask protects mouth and nose / <u>independent from ambient air</u> (air supplied). Protective goggles are recommended. Please observe the legal requirements of each country.
<b>SATA air star F</b> Page 88   89		Half mask to protect the mouth and nose area / <u>depending on ambient air</u> (filtering mask). With pre-filter pads to extend the lifetime of the filter cartridges. It is recommended to wear protective goggles. Please observe the legal requirements in each respective country.

## Cutaway model SATA air vision 5000

### Hood cloth

Breathable, solvent-resistant, lint-free and flame retardant. Quick exchange due to velcro attachment system.

### Comfort head band

To ensure highest hygiene standards. Made of microfibre velour, dermatologically tested; can be exchanged within a few seconds only; includes foam insert for enhanced wearer comfort.

### SATA CCS discs

Allows the convenient individual identification to avoid confusion; available in four colours.

### Locking/pivot control

Allows easy visor location.

### Facial seals

Follows facial contours ensuring optimum seal and comfort. Low reflection due to dark colour.

### Breathing air hose

for fresh air supply. Hose guide on the rear for maximum comfort.

### Acoustic warning signal

Instant indication of insufficient air supply.

### Plug-in diffuser

optional accessory – to avoid uncomfortable air flow.

### Diffuser block

Breathing air distribution reduces the noise level to 64 dB(A) at 2.5 bar inlet pressure.

### Hood

With rigid skull cover providing impact protection whilst working in confined areas.

### Headband

Can be adjusted at 4 different points ensuring perfect fit.

### Visor

With large field of vision

### Special single visor foil

To prevent reflections and distortions ensuring unrestricted view; quick and easy to exchange.



### ■ SATA® air regulator belt™

Extra-large, comfortably cushioned belt allowing the individual adaptation and upgrade with additional modules.



### ■ SATA® air regulator™

The SATA air regulator can be swivelled and adjusted on the belt unit by up to +/- 45°.



### ■ SATA® air humidifier™

The air humidifier increases the relative air humidity by up to 30%.



### ■ SATA® air carbon regulator™

The SATA air carbon regulator guarantees optimum breathing protection when wall-mounted filter regulator units without activated charcoal filter stage are being used. It can be rotated and adjusted on the belt unit by up to +/- 45°.



### ■ SATA® air warmer carbon™

Depending on the actual demand of supplied air, the breathing air temperature can be adjusted between 4°C up to 20°C.





### ■ SATA® air cooler™\* SATA® air warmer™\*

cools down / heats up the breathing air to a comfortable level. The temperature can be individually adjusted.



# Application Recommendations Filtration Technology

Filter type	Fields of application/function
<p><b>SATA filter 100 prep</b>  <b>SATA filter 103 prep</b>                      Page 92   93</p> 	<p>Economy filter units, e.g. for the installation in prep decks or work areas with ambient temperature &lt; 50 °C</p> <ul style="list-style-type: none"> <li>• modular structure of up to 3 filter stages incl. activated charcoal filter</li> <li>• highest requirements for high-grade compressed air</li> <li>• Air flow: <b>approx. 800 NI/min</b> at 6 bar</li> </ul>
<p><b>SATA filter</b>  <b>414 / 424 / 434 /</b>  <b>444 / 464 / 474 /</b>  <b>484</b>                      Page 94 to 97</p> 	<p>Filter units for the use in paint booths</p> <ul style="list-style-type: none"> <li>• Ambient temperature: <b>up to max. 120 °C, up to max. 60 °C when using activated charcoal (third stage)</b></li> <li>• modular structure of up to 3 filter stages incl. activated charcoal filter</li> <li>• meeting highest requirements for high-grade compressed air (100 % technically clean air)</li> <li>• Air flow: approx. 3,600 NI/min at 6 bar</li> </ul>

## Cutaway model SATA filter 484



Large adjustment screw for precise regulation of the work pressure.

Maintenance free pressure regulation valve.

Air inlet G ½" female thread; Air flow: 3,600 NI/min. at 6.0 bar

**First filter stage:**

- Low maintenance cyclone separates condensate and oil droplets.
- Sintered filter to separate particles > 5 µm; Exchange interval: every 6 months

Automatic condensate discharge valve – high operating safety, low service effort.

Condensate discharge hose.

Air pressure gauge for pressure difference display (control of fine filter saturation).

**Second filter stage:**

Fine filter cartridge to separate particles > 0.01 µm; separation efficiency 99.998 %; Exchange interval: 6 months.

**Third filter stage:**

- Activated charcoal cartridge to eliminate oil vapours when using air-supplied breathing masks and for the application of waterborne paints; Exchange interval: every 3 months

Air outlet module.

Optional air outlet G ½" female thread.

Air outlets with ball valves and ¼" male thread.

Filter housing with easy clean surface.

*filter timer* icons are placed near the first, second, and third filter stage descriptions.

# Application recommendation accessories

Type of device	Fields of application/function
<p><b>SATA paint pressure tanks</b> Pages 100 to 105</p> 	<ul style="list-style-type: none"> <li>• Time saving due to continuous working without interruptions</li> <li>• Also suitable for high viscosity, paste-like or thixotropic materials</li> <li>• Various equipment and special versions</li> </ul>
<p><b>SATA vario top spray</b> Pages 106 to 109</p> 	<ul style="list-style-type: none"> <li>• High performance diaphragm pump technology with enhanced pump capacity for high speed application</li> <li>• Large variety of pumps for liquid transportation, material delivery and paint applications</li> <li>• Ultra-fine atomisation of primer materials and topcoats in conjunction with the reliable, top quality SATA spray guns (e.g. SATAjet 3000 K and 1000 K)</li> </ul>
<p><b>SATA anti-dust jet X</b> Page 114   115</p> 	<ul style="list-style-type: none"> <li>• The SATA anti-dust jet X removes dust particles with rotating air fan and neutralises electrostatically charged objects at the same time</li> <li>• Suitable for painting or coating of plastic parts, glass, paper or similar materials, e.g. in the automotive and tier-one industry</li> </ul>
<p><b>SATA clean RCS</b> <b>SATA clean RCS compact</b> <b>SATA clean RCS micro</b> Page 116   117</p> 	<ul style="list-style-type: none"> <li>• Rapid cleaning system for intermediate cleaning of spray guns for quick colour changes when using disposable cups, e.g. SATA RPS</li> <li>• Suitable for waterborne and solvent-based paint systems</li> </ul>
<p><b>SATA multi clean 2</b> Page 116</p> 	<ul style="list-style-type: none"> <li>• Self contained spray gun cleaning machine for automatic spray gun cleaning</li> <li>• Suitable for waterborne and solvent-based paint systems</li> </ul>
<p><b>SATA trueSun</b> Page 118</p> 	<ul style="list-style-type: none"> <li>• Daylight lamp for accurate colour retrieval</li> <li>• Uniform distribution of the light intensity across the entire light cone ensuring consistent colour reproduction - from centre to edge</li> <li>• Built-in charging condition display</li> <li>• Infinitely dimmable light intensity</li> <li>• Highest quality level of daylight reproduction from start to finish</li> </ul>
<p><b>SATA dry jet 2</b> Page 119</p> 	<ul style="list-style-type: none"> <li>• Accelerated drying of surfaces painted with waterborne materials</li> <li>• Ideally suited for smaller paint jobs, as expensive booth heating times are being avoided</li> <li>• Integrated air regulation to set the inlet pressure</li> </ul>
<p><b>SATA Blow Guns</b> Page 110</p> 	<ul style="list-style-type: none"> <li>• To blow-off dust and particles - low air consumption, high efficiency</li> <li>• Robust and very durable</li> <li>• Different versions with special nozzle set-ups available</li> </ul>
<p><b>Grit Blasting Equipment</b> Seite 110   111</p> 	<ul style="list-style-type: none"> <li>• Grit blasting guns with hard metal insert - to remove rust efficiently and quickly</li> <li>• Ideal for areas of difficult access</li> <li>• Injector suction principle optionally with hand-held gun or large containers</li> </ul>
<p><b>Rustproofing Equipment</b> Seite 112   113</p> 	<ul style="list-style-type: none"> <li>• Pressurised cup spray gun for cavity preservation and underbody protection of all vehicle types. Different cavity wand systems are available.</li> <li>• Fine atomisation even with the application of high-viscosity materials by pressurisation with up to 10 bar</li> </ul>
<p><b>SATA Multitool</b> Page 123</p> 	<ul style="list-style-type: none"> <li>• 13 tools for the daily spray gun maintenance</li> <li>• Solid moulded recesses made of anodised aluminium</li> <li>• Compact size: approx. 125 x 44 x 27 mm (closed)</li> </ul>


# Spray Guns



**NEW** SATAjet® 5000 B PHASER RP®/HVLP



**SATAjet 5000 B PHASER RP**

<b>Technical Data</b> 	Inlet pressure			
	Field of application: 0.5 bar - 2.4 bar			
	Compliant: max. 2.0 bar			
	Air consumption at 2.0 bar: 290 NI/min			
Spray distance				
Field of application: 10 cm - 21 cm				
Recommended: 17 cm - 21 cm				



<b>Nozzle</b>	1,2	1,2 W	1,3	1,3 cc
---------------	-----	-------	-----	--------


Cpl. with **disposable RPS cup** 0.6 l / 0.9 l (each 1x) **without** swivel joint

<b>Art. No.</b>	1006776	1006784	1006792	1006528
-----------------	---------	---------	---------	---------

**Nozzle set**

<b>Art. No.</b>	1006841	1006859	1006867	1006916
-----------------	---------	---------	---------	---------

**SATAjet 5000 B PHASER HVLP**

<b>Technical Data</b> 	Inlet pressure			
	Field of application: 0.5 bar - 2.4 bar			
	HVLP: max. 2.0 bar			
	Air consumption at 2.0 bar: 430 NI/min			
Spray distance				
Field of application: 10 cm - 21 cm				
Recommended: 10 cm - 15 cm				



<b>Nozzle</b>	WSB	1,3	1,4	1,5
---------------	-----	-----	-----	-----

Cpl. with **disposable RPS cup** 0.6 l / 0.9 l (each 1x) **without** swivel joint

<b>Art. No.</b>	1006924	1006817	1006825	1006833
-----------------	---------	---------	---------	---------

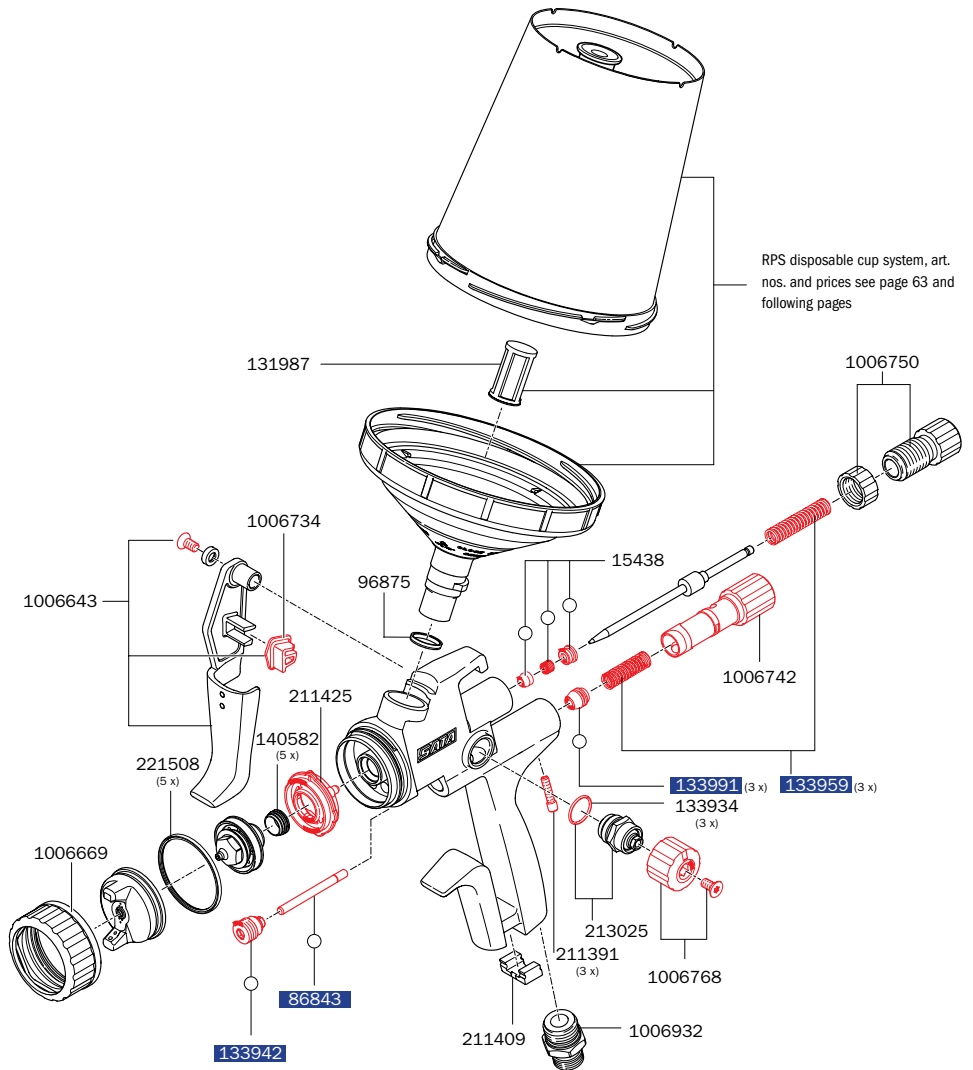
**Nozzle set**

<b>Art. No.</b>	1006875	1006883	1006891	1006898
-----------------	---------	---------	---------	---------

All prices are recommended list prices. Errors, technical modifications and printing errors reserved.

# Spare parts SATAjet® 5000 B PHASER

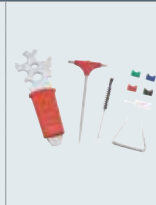
Art. No./Descr.
15438
Paint needle packing
86843
Air piston rod
96875
PVC insert for paint spray guns with QCC cup connection
133934
Sealing (packing unit 3 pieces) for spindle
133942
Seal retainer, cpl.
133959
Pressure spring (3 pieces) for paint needle and air piston
133991
Air piston head (packing unit 3 pieces)
140582
Sealing element (packing unit 5 pieces) for fluid tip
211391
Locking screw (packing unit 3 pieces) for air micrometer
211409
CCS-Clips, green, blue, red, black (packing unit 4 pieces)
211425
Air distribution ring (packing unit 3 pieces)
211508
Sealing ring (packing unit 5 pieces)
213025
Spindle, cpl., for round / flat spray control
1006768
Control knob with screw (packing unit 2 pieces)
1006932
Air connection piece 1/4" male thread
1006742
Air micrometer
1006750
Material flow control with counter nut
1006734
Trigger fixing clip
1006643
Trigger kit
1006669
Kit consisting of coloured marking rings (blue, green, black, packing unit each 1 piece)



All prices are recommended list prices. Errors, technical modifications and printing errors reserved.

**Art. No./Descr.**

- 211524**  
**Tool kit**
- Universal spanner
  - Combi tool
  - Cleaning brush
  - CCS clips
  - Paint strainer
  - Extraction tool




**Art. No./Descr.**

- 1006809**  
Repair kit
- 82552**  
Air piston service unit
- 136960**  
Sealing kit

# SATAjet® 5000 B RP®/HVLP



## SATAjet 5000 B RP (DIGITAL)

Technical Data	
	Inlet pressure
	Field of application: 0.5 bar - 2.4 bar Compliant: max. 2.0 bar
	Air consumption at 2.0 bar: 290 NI/min
	Spray distance Field of application: 10 cm - 21 cm Recommended: 17 cm - 21 cm



Nozzle	1,0	1,1	1,2	1,2 W	1,3	1,3 cc	1,4	1,6	1,8	2,0	2,5
--------	-----	-----	-----	-------	-----	--------	-----	-----	-----	-----	-----

**Standard with 0.6 l QCC reusable plastic cup, without swivel joint**

Art. No.	-	-	209627	209635	209643	1005041	209650	209668	-	-	-
----------	---	---	--------	--------	--------	---------	--------	--------	---	---	---

**Standard with 0.6 l QCC reusable plastic cup, with swivel joint**

Art. No.	209676	209684	209692	209700	209718	1005059	209726	209734	209742	209759	209767
----------	--------	--------	--------	--------	--------	---------	--------	--------	--------	--------	--------

**Standard with RPS disposable cup 0.3 l / 0.6 l / 0.9 l (each 1x) with swivel joint**

Art. No.	-	-	209775	209783	209791	1005067	209809	-	-	-	-
----------	---	---	--------	--------	--------	---------	--------	---	---	---	---

Nozzle	1,0	1,1	1,2	1,2 W	1,3	1,3 cc	1,4	1,6	1,8	2,0	2,5
--------	-----	-----	-----	-------	-----	--------	-----	-----	-----	-----	-----

**DIGITAL with 0.6 l QCC PVC reusable cup with swivel joint**

Art. No.	-	-	209817	209825	209833	1005083	209841	-	-	-	-
----------	---	---	--------	--------	--------	---------	--------	---	---	---	---


**DIGITAL with RPS disposable cup 0.3 l / 0.6 l / 0.9 l (each 1x) with swivel joint**

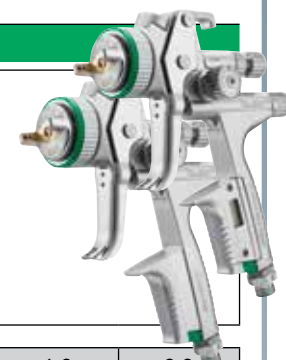
Art. No.	-	-	209924	209932	209940	1005091	209957	-	-	-	-
----------	---	---	--------	--------	--------	---------	--------	---	---	---	---

**Nozzle set**

Art. No.	210245	210252	210260	210278	210286	1002104	210294	210302	210310	210328	210336
----------	--------	--------	--------	--------	--------	---------	--------	--------	--------	--------	--------

## SATAjet 5000 B HVLP (DIGITAL)

Technical Data	
	Inlet pressure
	Field of application: 0.5 bar - 2.4 bar HVLP: max. 2.0 bar
	Air consumption at 2.0 bar: 430 NI/min
	Spray distance Field of application: 10 cm - 21 cm Recommended: 10 cm - 15 cm



Nozzle	1,0	1,2	WSB	1,3	1,4	1,5	1,7	1,9	2,2
--------	-----	-----	-----	-----	-----	-----	-----	-----	-----

**Standard with 0.6 l QCC reusable plastic cup, without swivel joint**

Art. No.	-	210369	210377	210385	210401	210419	-	-	-
----------	---	--------	--------	--------	--------	--------	---	---	---

**Standard with 0.6 l QCC reusable plastic cup, with swivel joint**

Art. No.	210427	210435	210443	210450	210484	210500	210518	210534	210542
----------	--------	--------	--------	--------	--------	--------	--------	--------	--------

**Standard with RPS disposable cup 0.3 l / 0.6 l / 0.9 l (each 1x) with swivel joint**

Art. No.	-	210559	210567	210575	210591	210609	-	-	-
----------	---	--------	--------	--------	--------	--------	---	---	---

Nozzle	1,0	1,2	WSB	1,3	1,4	1,5	1,7	1,9	2,2
--------	-----	-----	-----	-----	-----	-----	-----	-----	-----

**DIGITAL with 0.6 l QCC PVC reusable cup with swivel joint**

Art. No.	-	210617	210625	210633	210658	210666	-	-	-
----------	---	--------	--------	--------	--------	--------	---	---	---

**DIGITAL with RPS disposable cup 0.3 l / 0.6 l / 0.9 l (each 1x) with swivel joint**

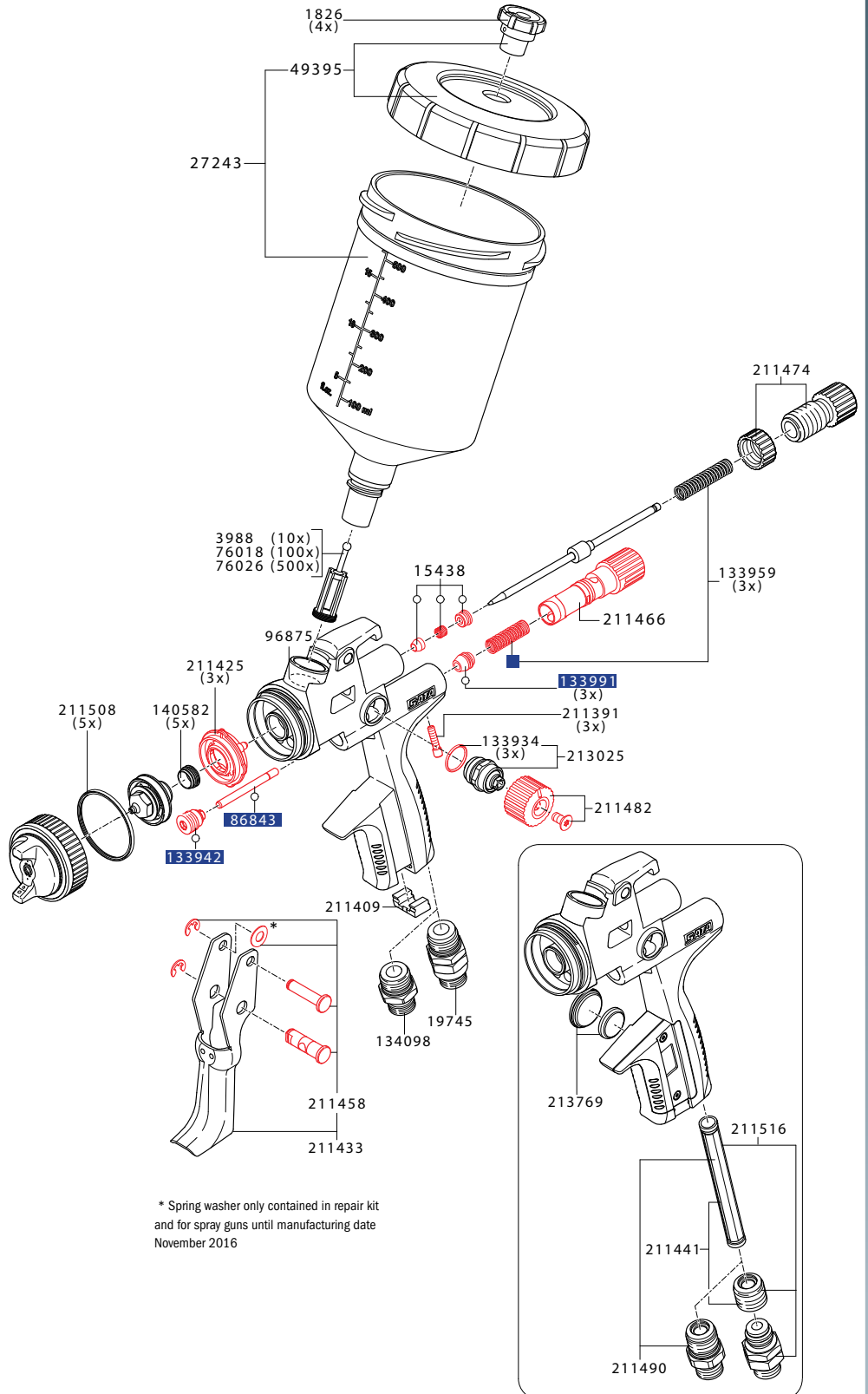
Art. No.	-	210674	210682	210690	210716	210724	-	-	-
----------	---	--------	--------	--------	--------	--------	---	---	---

**Nozzle set**

Art. No.	210955	210963	210971	210989	211011	211045	211052	211060	211078
----------	--------	--------	--------	--------	--------	--------	--------	--------	--------

# Spare Parts SATAjet® 5000 B

Art. No./Descr.
1826
Anti-drip device (packing unit 4 pieces)
3988
Paint strainer, 300 µm (packing unit 10 pieces)
15438
Paint needle packing
19745
Swivel joint
27243
0.6 l QCC reusable plastic cup, cpl.
49395
Screw-on lid for 0.6 l PVC cup with drip-catching ring and non-drip device
76018
Paint strainer, 300 µm (packing unit 100 pieces)
76026
Paint strainer, 300 µm (packing unit 500 pieces)
86843
Air piston rod
96875
PVC insert for paint spray guns with QCC cup connection
133934
Sealing (packing unit 3 pieces) for spindle
133942
Seal retainer, cpl.
133959
Pressure spring (3 pieces) for paint needle and air piston
133991
Air piston head (packing unit 3 pieces)
134098
Air connection piece 1/4" (male thread)
140582
Sealing element (packing unit 5 pieces) for fluid tip
211391
Locking screw (packing unit 3 pieces) for air micrometer
211409
CCS-Clips, green, blue, red, black (packing unit 4 pieces)
211425
Air distribution ring (packing unit 3 pieces)
211433
Trigger kit
211441
Seal retainer with sleeve
211458
Trigger sleeve kit
211466
Air micrometer
211474
Material flow control with counter nut
211482
Control knob with screw (each 2 pieces)
211490
Air connection with sleeve
211508
Sealing ring (packing unit 5 pieces)
211516
Swivel joint with seal retainer and sleeve
213025
Spindle, cpl., for round / flat spray control
213769
Battery kit



All prices are recommended list prices. Errors, technical modifications and printing errors reserved.


Art. No./Descr.	
211524	<b>Tool kit</b>
	<ul style="list-style-type: none"> <li>· Universal spanner</li> <li>· Combi tool</li> <li>· Cleaning brush</li> <li>· CCS clips</li> <li>· Paint strainer</li> <li>· Extraction tool</li> </ul>

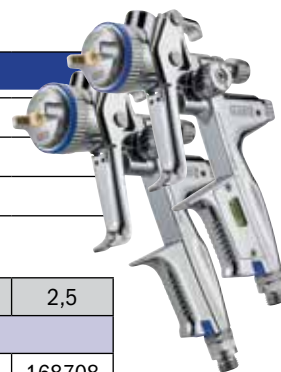
Art. No./Descr.
<b>211532</b>
<b>Repair kit</b>
<b>82552</b>
<b>Air piston service unit</b>
<b>136960</b>
<b>Sealing kit</b>

# SATAjet® 4000 B RP®/HVLP



## SATAjet 4000 B RP (DIGITAL)

<b>Technical Data</b>	Inlet pressure: 2.0 bar – 2.2 bar
	Air consumption at 2.0 bar: 285 NI/min
	Spray distance: 17 cm – 21 cm



<b>Nozzle</b>	1,0	1,1	1,2	1,2 W	1,3	1,4	1,6	1,8	2,0	2,5
---------------	-----	-----	-----	-------	-----	-----	-----	-----	-----	-----

### Standard with 0.6 l QCC reusable plastic cup, **without** swivel joint

<b>Art. No.</b>	166678	166793	166173	166751	166769	166777	166785	168682	168690	168708
-----------------	--------	--------	--------	--------	--------	--------	--------	--------	--------	--------

### Standard with 0.6 l QCC reusable plastic cup, **with** swivel joint

<b>Art. No.</b>	166686	166694	166181	166702	166710	166728	166736	166744	168716	168724
-----------------	--------	--------	--------	--------	--------	--------	--------	--------	--------	--------

### Standard with RPS disposable cup 0.3 l / 0.6 l / 0.9 l (each 1x) **with** swivel joint

<b>Art. No.</b>	-	171538	167122	167130	167148	167155	-	-	-	-
-----------------	---	--------	--------	--------	--------	--------	---	---	---	---

<b>Nozzle</b>	1,0	1,1	1,2	1,2 W	1,3	1,4	1,6	1,8	2,0	2,5
---------------	-----	-----	-----	-------	-----	-----	-----	-----	-----	-----

### DIGITAL with 0.6 l QCC PVC reusable cup **with** swivel joint

<b>Art. No.</b>	-	166611	166215	166553	166579	166587	166595	166603	168799	168807
-----------------	---	--------	--------	--------	--------	--------	--------	--------	--------	--------

### DIGITAL with RPS disposable cup 0.3 l / 0.6 l / 0.9 l (each 1x) **with** swivel joint


<b>Art. No.</b>	-	171546	167205	167213	167221	167239	187153	-	-	-
-----------------	---	--------	--------	--------	--------	--------	--------	---	---	---

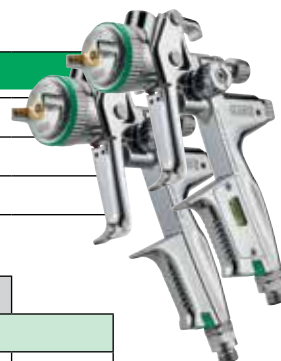
<b>Nozzle</b>	1,0	1,1	1,2	1,2 W	1,3	1,4	1,6	1,8	2,0	2,5
---------------	-----	-----	-----	-------	-----	-----	-----	-----	-----	-----

### Nozzle set

<b>Art. No.</b>	166991	167007	167015	167023	167049	167056	167072	167080	168625	168633
-----------------	--------	--------	--------	--------	--------	--------	--------	--------	--------	--------

## SATAjet 4000 B HVLP (DIGITAL)

<b>Technical Data</b>	Inlet pressure: 2.0 bar
	Air consumption at 2.0 bar: 430 NI/min
	Spray distance: 10 cm – 15 cm



<b>Nozzle</b>	1,0	1,2	WSB	1,3	1,4	1,5	1,7	1,9	2,2
---------------	-----	-----	-----	-----	-----	-----	-----	-----	-----

### Standard with 0.6 l QCC reusable plastic cup, **without** swivel joint

<b>Art. No.</b>	166868	166199	166918	166876	166892	166900	168732	168740	168757
-----------------	--------	--------	--------	--------	--------	--------	--------	--------	--------

### Standard with 0.6 l QCC reusable plastic cup, **with** swivel joint

<b>Art. No.</b>	166801	166207	166850	166819	166835	166843	168765	168773	168781
-----------------	--------	--------	--------	--------	--------	--------	--------	--------	--------

### Standard with RPS disposable cup 0.3 l / 0.6 l / 0.9 l (each 1x) **with** swivel joint

<b>Art. No.</b>	-	168252	167163	167171	167197	170506	-	-	-
-----------------	---	--------	--------	--------	--------	--------	---	---	---

<b>Nozzle</b>	1,0	1,2	WSB	1,3	1,4	1,5	1,7	1,9	2,2
---------------	-----	-----	-----	-----	-----	-----	-----	-----	-----

### DIGITAL with 0.6 l QCC PVC reusable cup **with** swivel joint

<b>Art. No.</b>	-	166223	166660	166629	166645	166652	168815	168823	168831
-----------------	---	--------	--------	--------	--------	--------	--------	--------	--------

### DIGITAL with RPS disposable cup 0.3 l / 0.6 l / 0.9 l (each 1x) **with** swivel joint

<b>Art. No.</b>	-	168260	167247	167254	167270	170514	-	-	-
-----------------	---	--------	--------	--------	--------	--------	---	---	---

<b>Nozzle</b>	1,0	1,2	WSB	1,3	1,4	1,5	1,7	1,9	2,2
---------------	-----	-----	-----	-----	-----	-----	-----	-----	-----

### Nozzle set

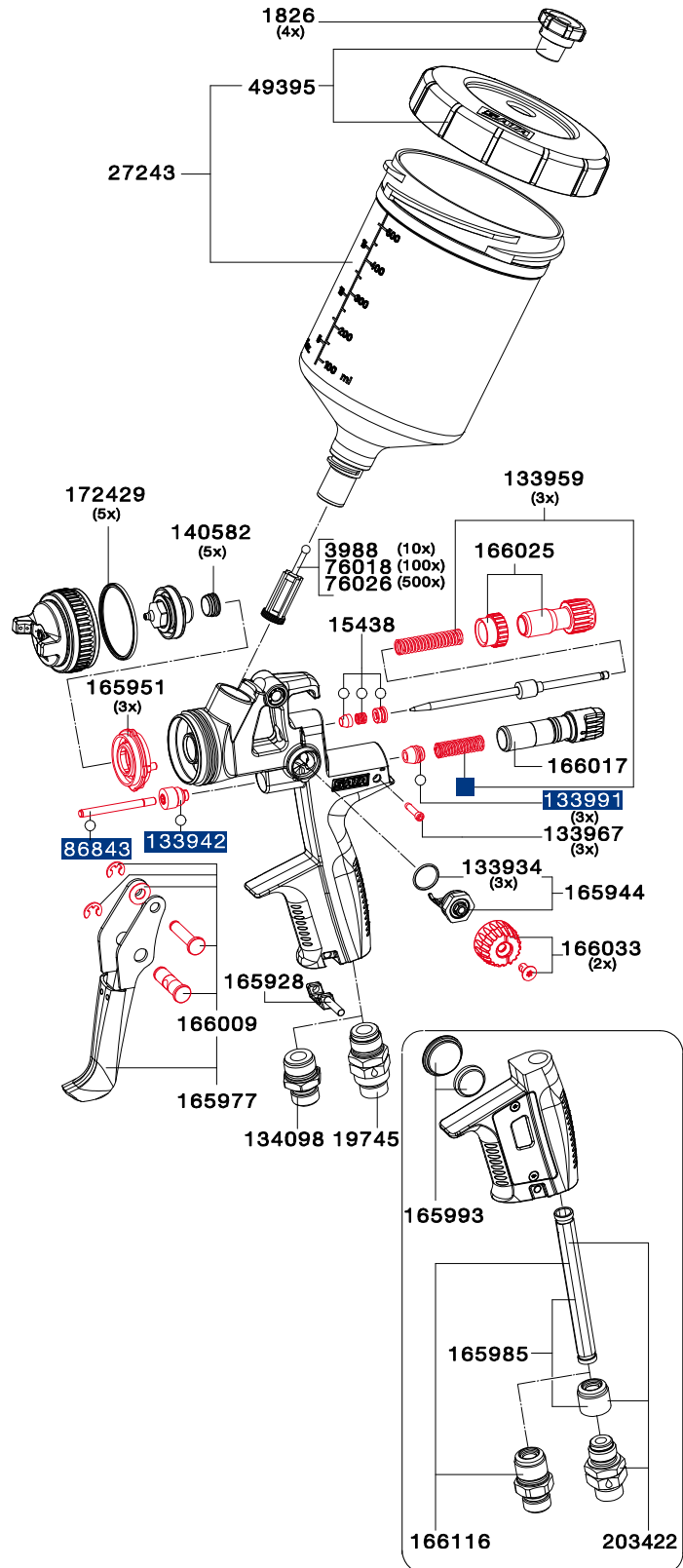
<b>Art. No.</b>	166926	166934	166983	166942	166967	166975	168658	168666	168674
-----------------	--------	--------	--------	--------	--------	--------	--------	--------	--------

All prices are recommended list prices. Errors, technical modifications and printing errors reserved.



# Spare Parts SATAjet® 4000 B

Art. No./Descr.
1826 Anti-drip device (packing unit 4 pieces)
3988 Paint strainer, 300 µm (packing unit 10 pieces)
15438 Paint needle packing
19745 Swivel joint
27243 0.6 l QCC reusable plastic cup, cpl.
49395 Screw-on lid for 0.6 l PVC cup with drip-catching ring and non-drip device
76018 Paint strainer, 300 µm (packing unit 100 pieces)
76026 Paint strainer, 300 µm (packing unit 500 pieces)
86843 Air piston rod
133934 Sealing (packing unit 3 pieces) for spindle
133942 Seal retainer, cpl.
133959 Pressure spring (3 pieces) for paint needle and air piston
133967 Adjustment screw (packing unit 3 pieces) for air micrometer
133991 Air piston head (packing unit 3 pieces)
134098 Air connection piece 1/4" (male thread)
140582 Sealing element (packing unit 5 pieces) for fluid tip
165928 CCS Clips, green, blue, red, black (packing unit 4 pieces)
165944 Spindle for round/flat spray control >Quarter Turn<
165951 Air distribution ring (packing unit 3 pieces)
165977 Trigger kit
165985 Seal retainer with sleeve
165993 Battery kit
166009 Trigger sleeve kit
166017 Air micrometer
166025 Material flow control with counter nut
166033 Control knob with screw (each 2 pieces)
166116 Air connection with sleeve
172429 Sealing ring (packing unit 5 pieces)
203422 Seal retainer with sleeve and swivel joint



All prices are recommended list prices. Errors, technical modifications and printing errors reserved.


Art. No./Descr.
165936 <b>Tool kit</b>
· Universal spanner
· Combi tool
· Cleaning brush
· CCS clips
· Paint strainer
· Extraction tool

Art. No./Descr.
166058 <b>Repair kit</b>
82552 <b>Air piston service unit</b>
○ 136960 <b>Sealing kit</b>

# SATAjet® 3000 K RP®/HVLP



## SATAjet 3000 K RP

	<b>Technical Data</b>	Inlet pressure: 2.5 bar - 3.0 bar
		Air consumption at 2.5 bar: 430 NI/min
		Spray distance: 17 cm - 21 cm
		Material connection: 3/8" male thread

<b>Nozzle</b>	0,8	1,1	1,3	1,5	1,7	2,0
---------------	-----	-----	-----	-----	-----	-----

### Spray gun

<b>Art. No.</b>	92932	93336	93344	93351	93369	93377
-----------------	-------	-------	-------	-------	-------	-------

<b>Nozzle</b>	0,8	1,1	1,3	1,5	1,7	2,0
---------------	-----	-----	-----	-----	-----	-----

### Nozzle set


<b>Art. No.</b>	92494	92502	92510	92528	95422	95356
-----------------	-------	-------	-------	-------	-------	-------

### available upon request

Spray guns and nozzle sets with lifetime prolonging surface of fluid tip and paint needle.



## SATAjet 3000 K HVLP

	<b>Technical Data</b>	Inlet pressure: 2.5 bar
		Air consumption at 2.5 bar: 560 NI/min
		Spray distance: 10 cm - 15 cm
		Material connection: 3/8" male thread

<b>Nozzle</b>	0,8	1,0	1,2	1,4	1,6	2,0
---------------	-----	-----	-----	-----	-----	-----

### Spray gun

<b>Art. No.</b>	93385	92924	93393	193656	96164	96172
-----------------	-------	-------	-------	--------	-------	-------

<b>Nozzle</b>	0,8	1,0	1,2	1,4	1,6	2,0
---------------	-----	-----	-----	-----	-----	-----


### Nozzle set

<b>Art. No.</b>	92783	92791	92809	191379	92817	92825
-----------------	-------	-------	-------	--------	-------	-------

### available upon request

Spray guns and nozzle sets with lifetime prolonging surface of fluid tip and paint needle.

### Required accessories for SATA pressure fed spray guns

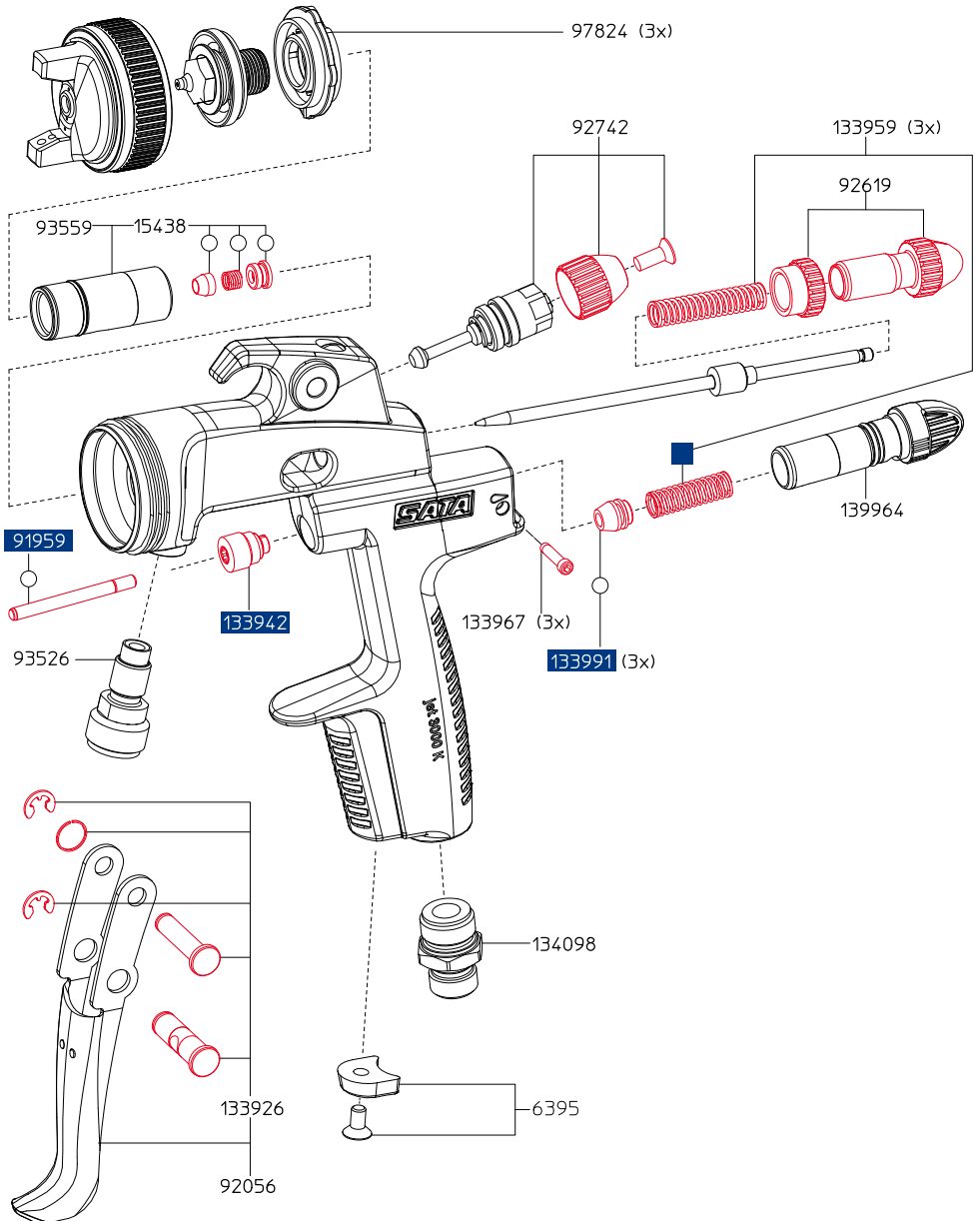
92031	SATA paint tube G 3/8" (female thread) - 3/8" (male thread) for SATA pressure fed spray guns	
38265	SATA paint strainer 60 msh, G 3/8" (female thread) and 3/8" (male thread) for SATA pressure fed spray gun except for SATAminijet	

Further accessories as well as material and air connections see page 54.

All prices are recommended list prices. Errors, technical modifications and printing errors reserved.

# Spare Parts SATAjet® 3000 K

Art. No./Descr.
6395 CCS Clips, green, blue, red, black packing unit 4 pieces)
15438 Paint needle packing
91900 Material connection, stainless steel
91959 Air piston rod
92056 Trigger kit
92619 Material flow control with counter nut
92742 Round/flat spray control SATAjet 3000 K, jet K3
93526 Material connection, stainless steel
93559 Insert, stainless steel
97824 Air distribution ring (3 pieces)
133926 Trigger sleeve kit
133942 Seal retainer, cpl.
133959 Pressure spring (3 pieces) for paint needle and air piston
133967 Adjustment screw (packing unit 3 pieces) for air micrometer
133991 Air piston head (packing unit 3 pieces)
134098 Air connection piece 1/4" (male thread)
139964 Air micrometer



All prices are recommended list prices. Errors, technical modifications and printing errors reserved.

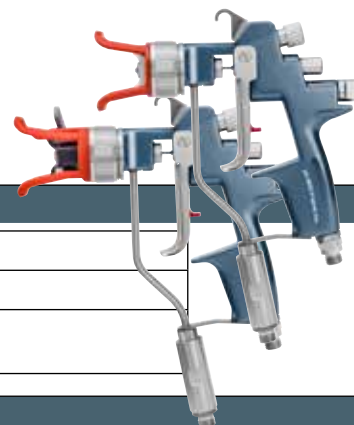
Art. No./Descr.
9050 <b>Tool kit</b>
· Extraction tool
· Paint strainer
· Cleaning brush
· Allen wrench 2 mm width
· Allen wrench 4 mm width
· Universal spanner




Art. No./Descr.
92767 <b>Repair kit</b>
92759 <b>Air piston service unit</b>
○ 183780 <b>Sealing kit</b>

NEW

# SATAjet® 4800 K spray mix



## SATAjet 4800 K spray mix

	<b>Technical Data</b>	Max. operating pressure atomisation air: 10.0 bar
		Max. operating pressure material: 250.0 bar
		Weight incl. material filter: 760 g

### Spray mix gun

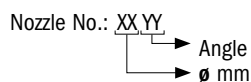
1006354	SATAjet 4800 K spray mix with paint tube, strainer 100 msh, without paint nozzle
---------	--

### Spray mix spray gun with inversion switch

1006346	SATAjet 4800 K spray mix with paint strainer 100 msh, material and air swivel joint, inversion switch without inversion nozzle
207530	Retrofit kit, inversion switch without inversion nozzle

### Nozzle SATAjet 4800 K spray mix (not contained in delivery of the Spray mix gun)

Fluid tip		Inversion nozzle for inversion switch		Technical Data					
Nozzle No.	Art. No.	Nozzle No.	Art. No.	ø mm	ø inch	Angle	Width	l/min at 70 bar (1015 psi)	Strainer
1840	23044			0,18	0,007	40°	18	0,16	200 msh 85 µm 74856 Set of four pcs.
2325	7328			0,23	0,009	25°	14	0,23	
2350	7435			0,23	0,009	50°	22	0,23	
2360	74922			0,23	0,009	60°	24	0,23	
		2550	207548	0,25	0,010	20°/50°	14/22	0,25	
2825	16998			0,28	0,011	25°	14	0,30	
2850	50906			0,28	0,011	50°	22	0,30	
2865	13771			0,28	0,011	65°	26	0,30	
		3050	207555	0,30	0,012	20°/50°	14/22	0,38	
3325	20206			0,33	0,013	25°	14	0,45	100 msh 150 µm 12278 Set of four pcs.
3350	50898			0,33	0,013	50°	23	0,45	
3365	13789			0,33	0,013	65°	28	0,45	
3375	74930			0,33	0,013	75°	32	0,45	
3390	73742			0,33	0,013	90°	40	0,45	
		3550	207563	0,35	0,014	20°/50°	14/24	0,50	
3825	13797			0,38	0,015	25°	15	0,61	
3850	7344			0,38	0,015	50°	25	0,61	
3882	74948			0,38	0,015	82°	34	0,61	
		4050	207571	0,40	0,016	20°/50°	14/25	0,70	
4650	19307			0,46	0,018	50°	25	0,95	60 msh 250 µm 12260 Set of four pcs.
4682	74955			0,46	0,018	82°	35	0,95	
5370	150276			0,53	0,021	70°	33	1,28	
6050	17004			0,60	0,024	50°	31	1,59	



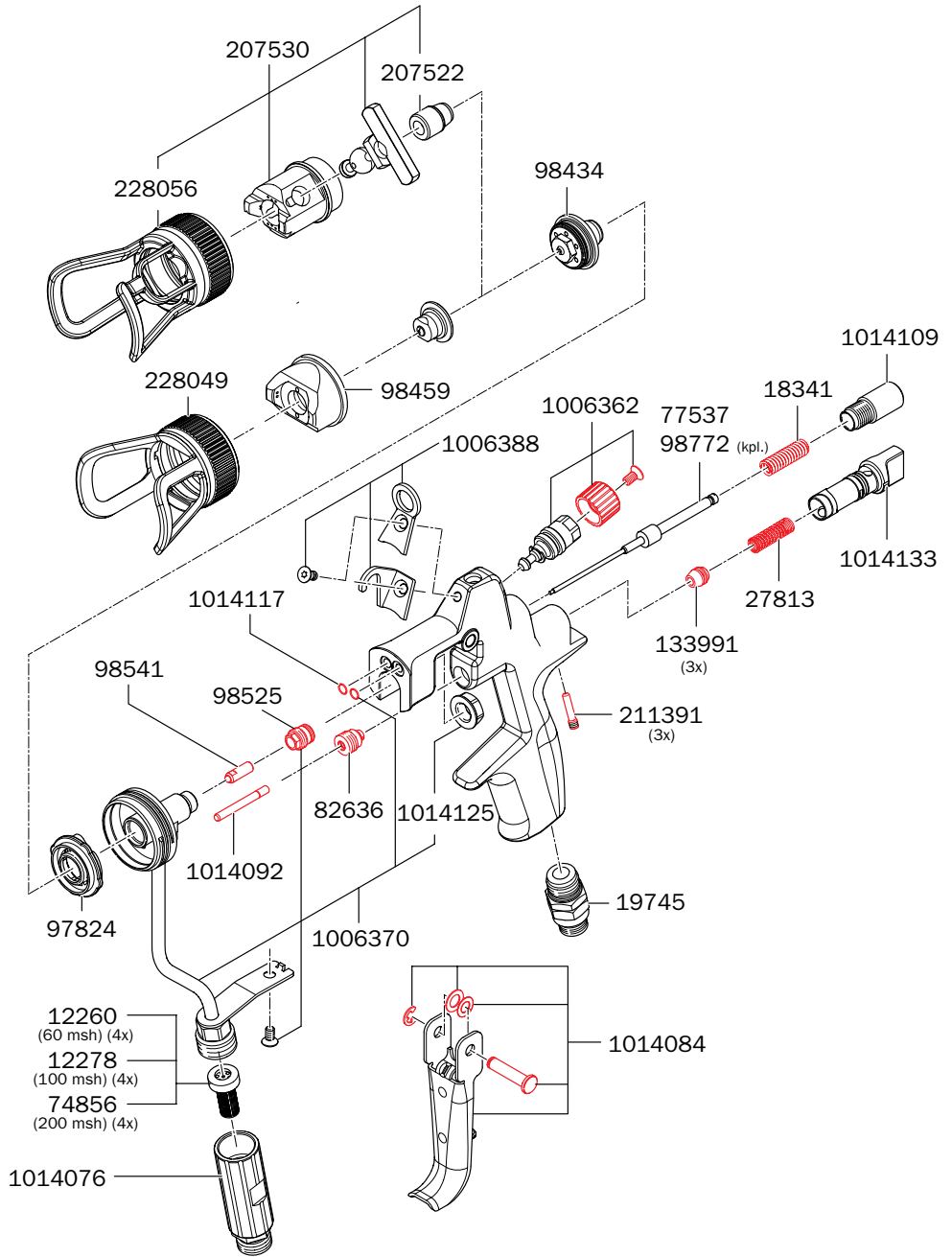
Hose pairs see page 120.

Further accessories as well as material and air connections see page 54.

All prices are recommended list prices. Errors, technical modifications and printing errors reserved.

# Spare parts SATAJet® 4800 K spray mix

Art. No./Descr.
12260
Sieve 60 msh (packing unit 4 pieces)
12278
Sieve, 100 msh (packing unit 4 pieces)
18341
Pressure spring for paint needle
1014084
Trigger kit
27813
Spring for air piston of SATA spray guns except for SATA minijet
74856
Strainer kit: Sieve 200 msh (4 pcs.), strainer holder ( 2 pcs.), screw (1 pcs.)
77537
Paint needle SATAJet 3000 K spray mix, jet K3 spray mix without needle tip
82636
Seal retainer, cpl.
97824
Air distribution ring (3 pieces)
98434
Pre-nozzle, cpl. SATA jetK3 Spray mix
98459
Air cap round/flat spray fan
98525
Seal retainer, cpl.
98541
Carbide needle tip
98772
Paint needle with carbide needle tip, cpl.
1014109
Locking screw
1014125
Nozzle head nut
1014092
Air piston rod
1014133
Air micrometer, cpl.
1014084
Trigger kit
1014117
O-ring nozzle head (packing unit 10 pieces)
1014076
Material filter housing, cpl. with swivel joint
1006362
Round/Flat spray control, cpl.
1006370
Nozzle head and material supply cpl., without filter adapter and swivel joint
1006388
Set consisting of gun suspension hook, suspension eye and countersunk screw, each 1 piece
133991
Air piston head (packing unit 3 pieces)
207522
Gasket unit inversion switch
207530
Retrofit kit, inversion switch without inversion nozzle
211391
Locking screw (packing unit 3 pieces) for air micrometer
228049
Air cap ring with protection against accidental contact
228056
Air cap ring with protection against accidental contact




Art. No./Descr.
<b>1006940</b>
<b>Repair kit</b>
<b>30833</b>
<b>Nozzle cleaning kit</b>

All prices are recommended list prices. Errors, technical modifications and printing errors reserved.

# SATAjet® 3000 K spray mix



## SATAjet 3000 K spray mix

	<b>Technical Data</b>	Max. operating pressure atomisation air: 10.0 bar
		Max. operating pressure material: 250.0 bar
		Weight incl. material filter: 650 g

## Spray mix gun

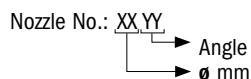
120006	SATAjet 3000 K spray mix with paint tube, strainer 100 msh, without paint nozzle
--------	--

## Spray mix spray gun with inversion switch

120014	SATAjet 3000 K spray mix with paint tube, strainer 100 msh, inversion switch, without inversion nozzle
207530	Retrofit kit, inversion switch without inversion nozzle for SATAjet 3000 K spray mix

## Nozzles SATAjet 3000 K spray mix (not included in the scope of delivery of the Spray mix gun)

Fluid tip		Inversion nozzle for inversion switch		Technical Data						
Nozzle No.	Art. No.	Nozzle No.	Art. No.	ø mm	ø inch	Angle	Width	l/min at 70 bar (1015 psi)		Strainer
1840	23044			0,18	0,007	40°	18	0,16	200 msh 85 µm	74856 Set of four pcs.
2325	7328			0,23	0,009	25°	14	0,23		
2350	7435			0,23	0,009	50°	22	0,23		
2360	74922			0,23	0,009	60°	24	0,23		
		2550	207548	0,25	0,010	20°/50°	14/22	0,25		
2825	16998			0,28	0,011	25°	14	0,30		
2850	50906			0,28	0,011	50°	22	0,30		
2865	13771			0,28	0,011	65°	26	0,30		
		3050	207555	0,30	0,012	20°/50°	14/22	0,38		
3325	20206			0,33	0,013	25°	14	0,45		
3350	50898			0,33	0,013	50°	23	0,45		
3365	13789			0,33	0,013	65°	28	0,45		
3375	74930			0,33	0,013	75°	32	0,45		
3390	73742			0,33	0,013	90°	40	0,45		
		3550	207563	0,35	0,014	20°/50°	14/24	0,50		
3825	13797			0,38	0,015	25°	15	0,61		
3850	7344			0,38	0,015	50°	25	0,61		
3882	74948			0,38	0,015	82°	34	0,61		
		4050	207571	0,40	0,016	20°/50°	14/25	0,70		
4650	19307			0,46	0,018	50°	25	0,95	60 msh 250 µm	12260 Set of four pcs.
4682	74955			0,46	0,018	82°	35	0,95		
5370	150276			0,53	0,021	70°	33	1,28		
6050	17004			0,60	0,024	50°	31	1,59		



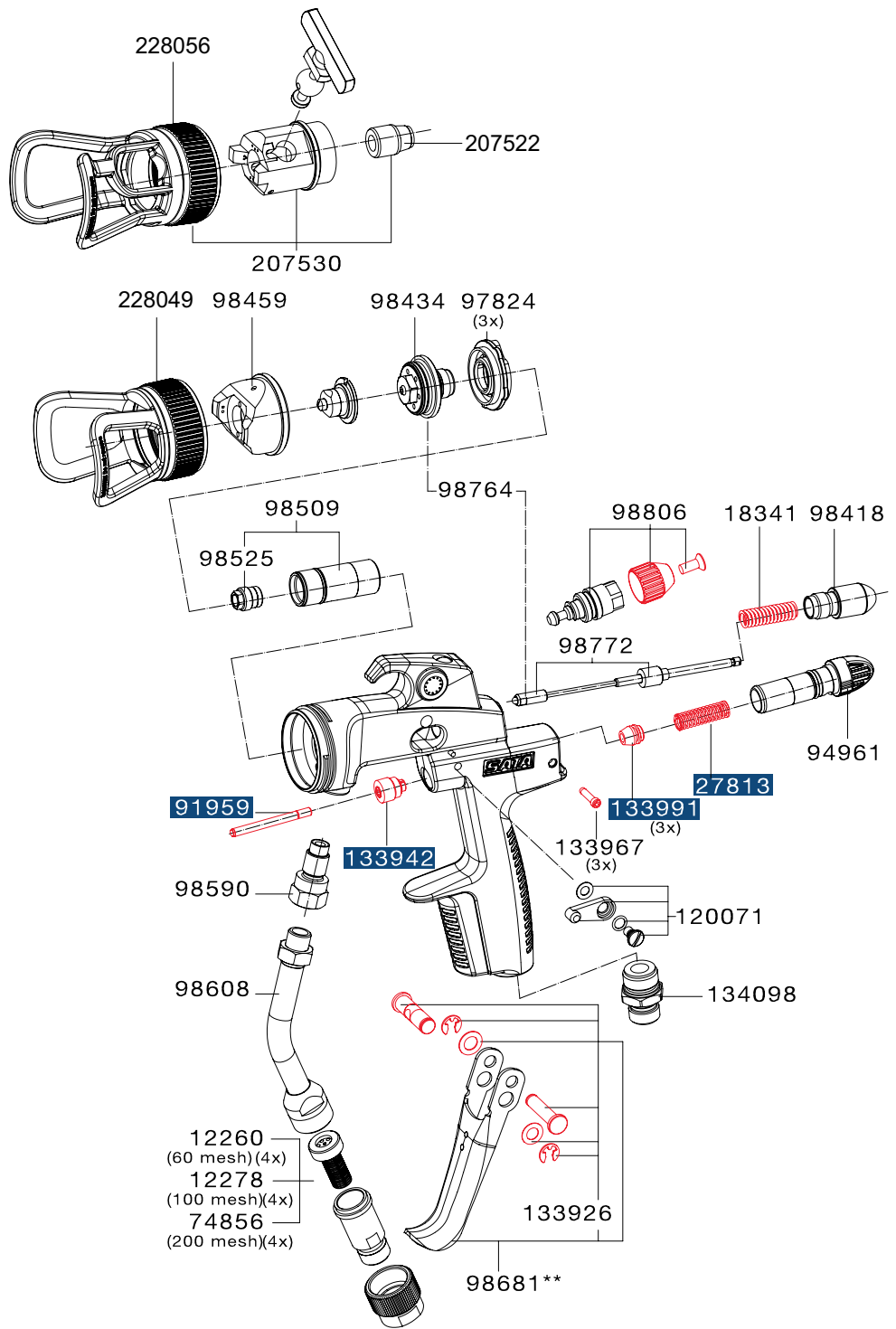
Hose pairs see page 120.

Further accessories as well as material and air connections see page 54.

All prices are recommended list prices. Errors, technical modifications and printing errors reserved.

# Spare Parts SATAjet® 3000 K spray mix

Art. No./Descr.
12260
Sieve 60 msh (packing unit 4 pieces)
12278
Sieve, 100 msh (packing unit 4 pieces)
18341
Pressure spring for paint needle
27813
Spring for air piston of SATA spray guns except for SATA minijet
74856
Strainer kit: Sieve 200 msh (4 pcs.) strainer holder ( 2 pcs.), screw (1 pcs.)
91959
Air piston rod
94961
Air micrometer
97824
Air distribution ring (3 pieces)
98418
Closing screw
98434
Pre-nozzle, cpl. SATA jetK3 Spray mix
98459
Air cap round/flat spray fan
98509
Insert with seal retainer
98525
Seal retainer, cpl.
98541
Carbide needle tip
98590
Material connection
98608
Paint tube with strainer 100 msh
98681
Trigger kit
98764
Nozzle set SATAjet 3000 spray mix, consisting of pre-nozzle and needle tip
98772
Paint needle with carbide needle tip, cpl.
98806
Round/flat spray control SATAjet K3 spray mix, jet 3000 K spray mix
120071
Trigger block, cpl.
133926
Trigger sleeve kit
133942
Seal retainer, cpl.
133967
Adjustment screw (packing unit 3 pieces) for air micrometer
133991
Air piston head (packing unit 3 pieces)
134098
Air connection piece 1/4" (male thread)
207522
Gasket unit inversion switch
207530
Retrofit kit, inversion switch without inversion nozzle
228049
Air cap ring with protection against accidental contact
228056
Air cap ring with protection against accidental contact




Art. No./Descr.
98707
Repair kit
92759
Air piston service unit
30833
Nozzle cleaning kit

All prices are recommended list prices. Errors, technical modifications and printing errors reserved.

# SATAjet® 1000 B RP®/HVLP



## SATAjet 1000 B RP

<b>Technical Data</b>	Inlet pressure: 1.5 bar - 2.0 bar
	Air consumption at 2.0 bar: 275 NI/min
	Spray distance: 17 cm - 21 cm

<b>Nozzle</b>	0,8	1,0	1,3	1,6	1,8	2,0	2,5	3,0	4,0
---------------	-----	-----	-----	-----	-----	-----	-----	-----	-----

### Spray gun with 0.6 l QCC reusable PVC gravity flow cup **without** swivel joint

<b>Art. No.</b>	151183	151191	149302	149310	150391	149328	151209	151217		
									154161	

### Spray gun with 0.6 l QCC reusable PVC gravity flow cup **with** swivel joint

<b>Art. No.</b>	157875	157883	157891	157909	157917	157925	157933	157941		
									157958	

<b>Nozzle</b>	0,8	1,0	1,3	1,6	1,8	2,0	2,5	3,0	4,0
---------------	-----	-----	-----	-----	-----	-----	-----	-----	-----

### Spray gun with 0.75 l QCC reusable **aluminium** gravity flow cup **without** swivel joint

<b>Art. No.</b>	151225	151233	150342	149344	150409	149351	151241	151258		
									154179	

<b>Nozzle</b>	0,8	1,0	1,3	1,6	1,8	2,0	2,5	3,0	4,0	5,0
---------------	-----	-----	-----	-----	-----	-----	-----	-----	-----	-----

### Nozzle set


<b>Art. No.</b>	151316	151324	149161	149179	150417	149187	151332	151340		
									154187	154195
	<b>High viscosity</b>					222372	222380			

Extensions see page 52.

## SATAjet 1000 B RP for glue applications

164962	SATAjet 1000 B RP nozzle 1.6 D Drall 0.6 l QCC reusable plastic cup
164970	Nozzle set SATAjet 1000 B RP 1.6 Drall
214320	SATAjet 1000 B RP nozzle 1.3 DA pressurised cup spray gun for dispersion glues, incl. SATA BVD add-on kit
214338	Nozzle set SATAjet 1000 B RP 1.3 DA for dispersion glues

## SATAjet 1000 B HVLP

<b>Technical Data</b>	Inlet pressure: 2.0 bar
	Air consumption at 2.0 bar: 350 NI/min
	Spray distance: 13 cm - 17 cm

<b>Nozzle</b>	1,4	1,7	1,9	2,1
---------------	-----	-----	-----	-----

### Spray gun with 0.6 l QCC reusable PVC gravity flow cup **without** swivel joint

<b>Art. No.</b>	149377	149385	149393	149401
-----------------	--------	--------	--------	--------

### Spray gun with 0.6 l QCC reusable PVC gravity flow cup **with** swivel joint

<b>Art. No.</b>	157966	157974	157982	157990
-----------------	--------	--------	--------	--------

<b>Nozzle</b>	1,4	1,7	1,9	2,1
---------------	-----	-----	-----	-----

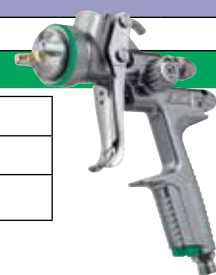
### Spray gun with 0.75 l QCC reusable **aluminium** gravity flow cup **without** swivel joint

<b>Art. No.</b>	149419	149427	149435	149443
-----------------	--------	--------	--------	--------

<b>Nozzle</b>	1,4	1,7	1,9	2,1
---------------	-----	-----	-----	-----

### Nozzle set

<b>Art. No.</b>	149195	149203	149211	149229
-----------------	--------	--------	--------	--------

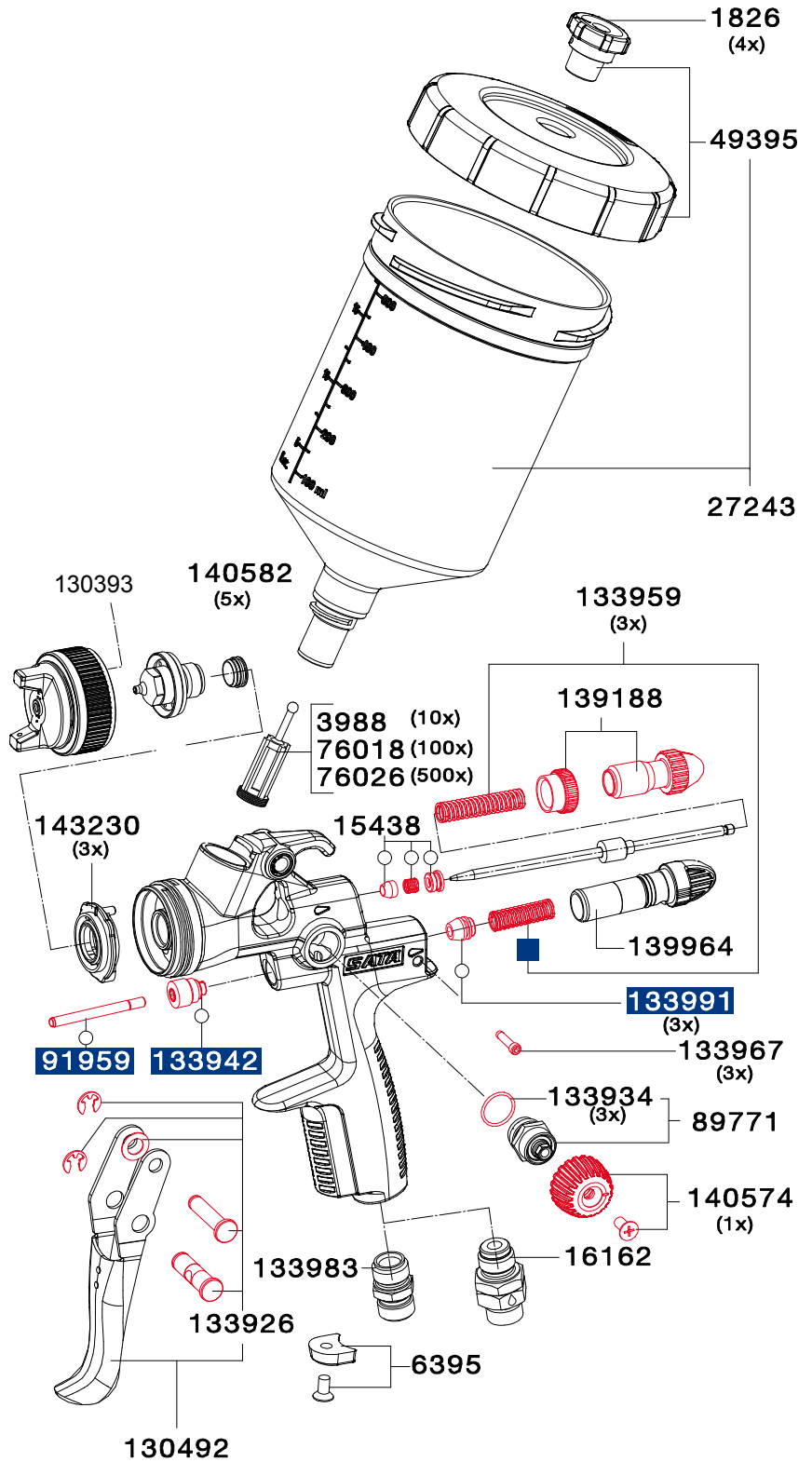


All prices are recommended list prices. Errors, technical modifications and printing errors reserved.



# Spare Parts SATAjet® 1000 B

Art. No./Descr.
1826 Anti-drip device (packing unit 4 pieces)
3988 Paint strainer, 300 µm (packing unit 10 pieces)
6395 CCS Clips, green, blue, red, black packing unit 4 pieces)
15438 Paint needle packing
16162 Swivel joint
27243 0.6 l QCC reusable plastic cup, cpl.
49395 Screw-on lid for 0.6 l PVC cup with drip-catching ring and non-drip device
76018 Paint strainer, 300 µm (packing unit 100 pieces)
76026 Paint strainer, 300 µm (packing unit 500 pieces)
89771 Spindle, cpl., f. round / flat spray control SATAjet 2000 HVLP
91959 Air piston rod
130393 Sealing ring for air cap ring SATAjet 100 and 1000
130492 Trigger kit
133926 Trigger sleeve kit
133934 Sealing (packing unit 3 pieces) for spindle
133942 Seal retainer, cpl.
133959 Pressure spring (3 pieces) for paint needle and air piston
133967 Adjustment screw (packing unit 3 pieces) for air micrometer
133983 Air connection piece 1/4" male thread
133991 Air piston head (packing unit 3 pieces)
139188 Material flow control with counter nut
139964 Air micrometer
140574 Control knob with screw
140582 Sealing element (packing unit 5 pieces) for fluid tip
143230 Air distribution ring (packing unit 3 pieces)



All prices are recommended list prices. Errors, technical modifications and printing errors reserved.


Art. No./Descr.
9050 <b>Tool kit</b>
· Extraction tool
· Paint strainer
· Cleaning brush
· Allen wrench 2 mm width
· Allen wrench 4 mm width
· Universal spanner

Art. No./Descr.
130542 <b>Repair kit</b>
92759 <b>Air piston service unit</b>
183780 <b>Sealing kit</b>

# SATAjet® 1000 B RP®, HVLP LIGNUM 2



## SATAjet 1000 B RP LIGNUM 2

	<b>Technical Data</b>	Inlet pressure: 1.5 bar - 2.0 bar
		Air consumption at 2.0 bar: 275 NI/min
		Spray distance: 17 cm - 21 cm



<b>Nozzle</b>	0,8	1,0	1,3	1,6	1,8	2,0	2,5	3,0	4,0	5,0
---------------	-----	-----	-----	-----	-----	-----	-----	-----	-----	-----

### Spray gun with 0.6 l QCC reusable PVC gravity flow cup **with** swivel joint

<b>Art. No.</b>	-	-	190157	190165	190173	190181	197665	-	-	-
-----------------	---	---	--------	--------	--------	--------	--------	---	---	---


<b>Nozzle</b>	0,8	1,0	1,3	1,6	1,8	2,0	2,5	3,0	4,0	5,0
---------------	-----	-----	-----	-----	-----	-----	-----	-----	-----	-----

### Nozzle set

<b>Art. No.</b>	151316	151324	149161	149179	150417	149187	151332	151340		
									154187	154195
<b>High viscosity</b>							222372	222380		

Extensions see page 52.

## SATAjet 1000 B HVLP LIGNUM 2

	<b>Technical Data</b>	Inlet pressure: 2.0 bar
		Air consumption at 2.0 bar: 350 NI/min
		Spray distance: 13 cm - 17 cm



<b>Nozzle</b>	1,4	1,7	1,9	2,1
---------------	-----	-----	-----	-----

### Spray gun with 0.6 l QCC reusable PVC gravity flow cup **with** swivel joint

<b>Art. No.</b>	190124	190132	190140	-
-----------------	--------	--------	--------	---



<b>Nozzle</b>	1,4	1,7	1,9	2,1
---------------	-----	-----	-----	-----

### Nozzle set

<b>Art. No.</b>	149195	149203	149211	149229
-----------------	--------	--------	--------	--------

Extensions see page 52.

## Accessories

25775	SATA BVD conversion kit	
29926	SATA agitator cup, conversion kit	

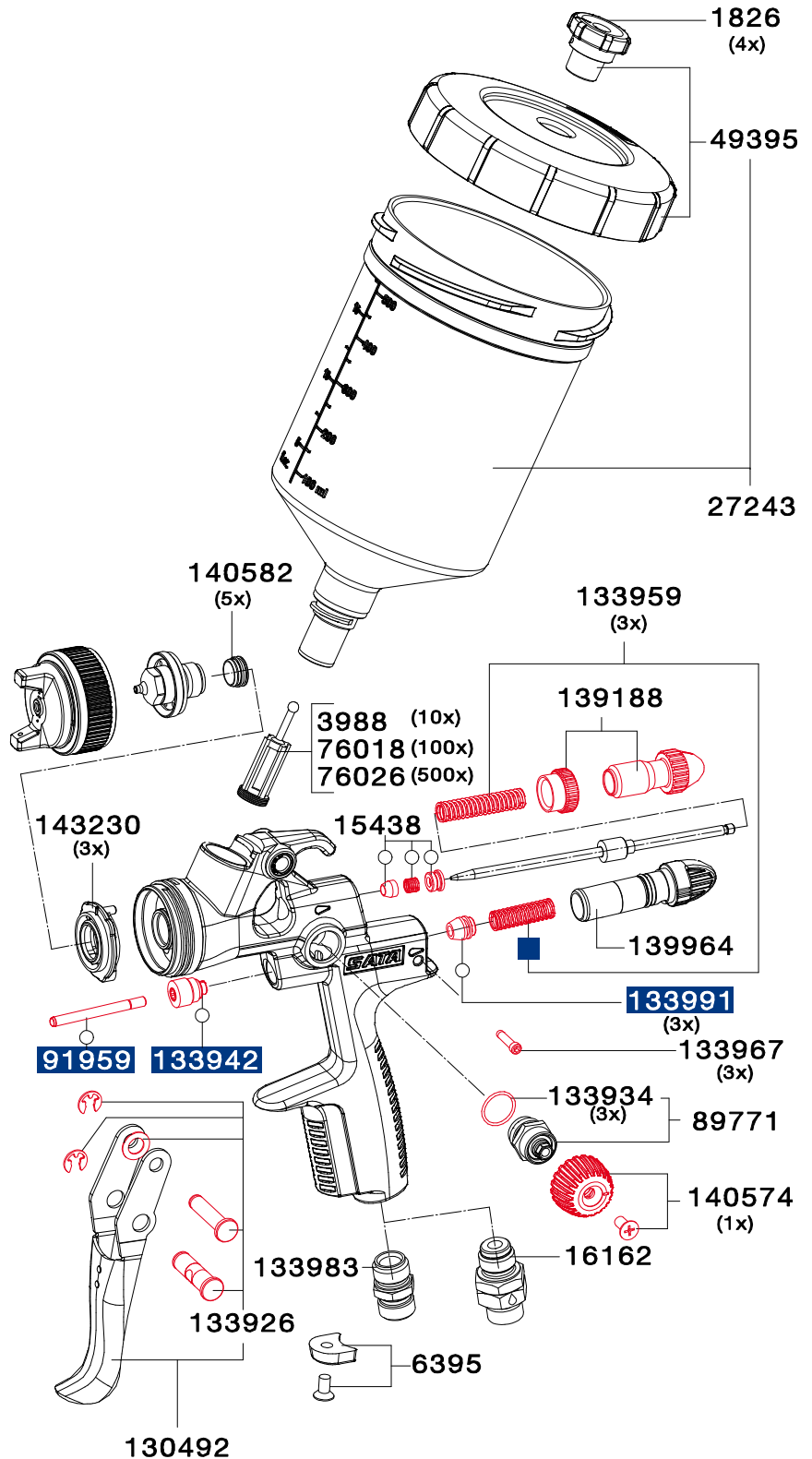
SATA RPS disposable cup systems see page 68.

Note: The SATAjet 1000 B LIGNUM 2 is technically identical to the SATAjet 1000 B. The sophisticated refining process of the gun surface may entail slight colour shade differences. Colour changes, e.g. by the influence of light, are also possible.

All prices are recommended list prices. Errors, technical modifications and printing errors reserved.

# Spare parts SATAjet® 1000 B LIGNUM 2

Art. No./Descr.
1826 Anti-drip device (packing unit 4 pieces)
3988 Paint strainer, 300 µm (packing unit 10 pieces)
6395 CCS Clips, green, blue, red, black packing unit 4 pieces)
15438 Paint needle packing
16162 Swivel joint
27243 0.6 l QCC reusable plastic cup, cpl.
49395 Screw-on lid for 0.6 l PVC cup with drip-catching ring and non-drip device
76018 Paint strainer, 300 µm (packing unit 100 pieces)
76026 Paint strainer, 300 µm (packing unit 500 pieces)
89771 Spindle, cpl., f. round / flat spray control SATAjet 2000 HVLP
91959 Air piston rod
130492 Trigger kit
133926 Trigger sleeve kit
133934 Sealing (packing unit 3 pieces) for spindle
133942 Seal retainer, cpl.
133959 Pressure spring (3 pieces) for paint needle and air piston
133967 Adjustment screw (packing unit 3 pieces) for air micrometer
133983 Air connection piece 1/4" male thread
133991 Air piston head (packing unit 3 pieces)
139188 Material flow control with counter nut
139964 Air micrometer
140574 Control knob with screw
140582 Sealing element (packing unit 5 pieces) for fluid tip
143230 Air distribution ring (packing unit 3 pieces)



All prices are recommended list prices. Errors, technical modifications and printing errors reserved.

Art. No./Descr.
9050 <b>Tool kit</b>
· Extraction tool
· Paint strainer
· Cleaning brush
· Allen wrench 2 mm width
· Allen wrench 4 mm width
· Universal spanner


Art. No./Descr.
130542 <b>Repair kit</b>
92759 <b>Air piston service unit</b>
183780 <b>Sealing kit</b>

# SATAjet® 1000 K RP®/HVLP



## SATAjet 1000 K RP

### Technical Data

	Inlet pressure: 2.5 bar
	Air consumption at 2.5 bar: 410 NI/min
	Spray distance: 17 cm - 21 cm
	Material connection: 3/8" male thread

Nozzle	0,8	1,1	1,3	1,5	1,7	2,0	2,5	3,0	4,0	5,0
--------	-----	-----	-----	-----	-----	-----	-----	-----	-----	-----

### Spray gun

Art. No.	132092	132100	132118	132126	132134	132142	153486	153494		
									154336	-

### Spray gun with lifetime prolonging surface on fluid tip and paint needle

Art. No.	141903	141911	141929	141937	141945	141952	-	-	-	-
----------	--------	--------	--------	--------	--------	--------	---	---	---	---

### Spray gun with slit nozzle

Art. No.	-	-	-	-	-	-	154344	154351	154369	-
----------	---	---	---	---	---	---	--------	--------	--------	---

### Nozzle set

Art. No.	132159	132167	132175	132183	132191	132209	153528	153536		
									154377	154385

### Nozzle set with lifetime prolonging surface of fluid tip and paint needle

Art. No.	141648	141655	141663	141689	141697	141705	159442	-	-	-
----------	--------	--------	--------	--------	--------	--------	--------	---	---	---

### Slit nozzle set

Art. No.							154393	154401	154419	-
----------	--	--	--	--	--	--	--------	--------	--------	---


### SATAjet 1000 K RP for adhesive applications

161232	SATAjet 1000 K RP nozzle 1.6 D Drall material connection 3/8" (male thread)
159707	Nozzle set SATAjet 1000 K RP 1.6 Drall
211979	SATAjet 1000 K RP nozzle 1.3 DA for dispersion adhesives, material connection 3/8" (male thread)
211961	Nozzle set SATAjet 1000 K RP 1.3 DA, for dispersion adhesives



## SATAjet 1000 K HVLP

### Technical Data

	Inlet pressure: 2.5 bar
	Air consumption at 2.5 bar: 530 NI/min
	Spray distance: 10 cm - 15 cm
	Material connection: 3/8" male thread

Nozzle	0,8	1,0	1,2	1,4	1,6	2,0
--------	-----	-----	-----	-----	-----	-----

### Spray gun

Art. No.	139196	139204	139212	193664	139220	139238
----------	--------	--------	--------	--------	--------	--------

### Spray gun with lifetime prolonging surface on fluid tip and paint needle

Art. No.	141960	141978	141986	-	142000	142018
----------	--------	--------	--------	---	--------	--------

### Nozzle set

Art. No.	139253	139261	139279	191387	139287	139295
----------	--------	--------	--------	--------	--------	--------

### Nozzle set with lifetime prolonging surface of fluid tip and paint needle

Art. No.	141762	141770	141804	-	141812	141838
----------	--------	--------	--------	---	--------	--------

### Required accessories for SATA pressure fed spray guns

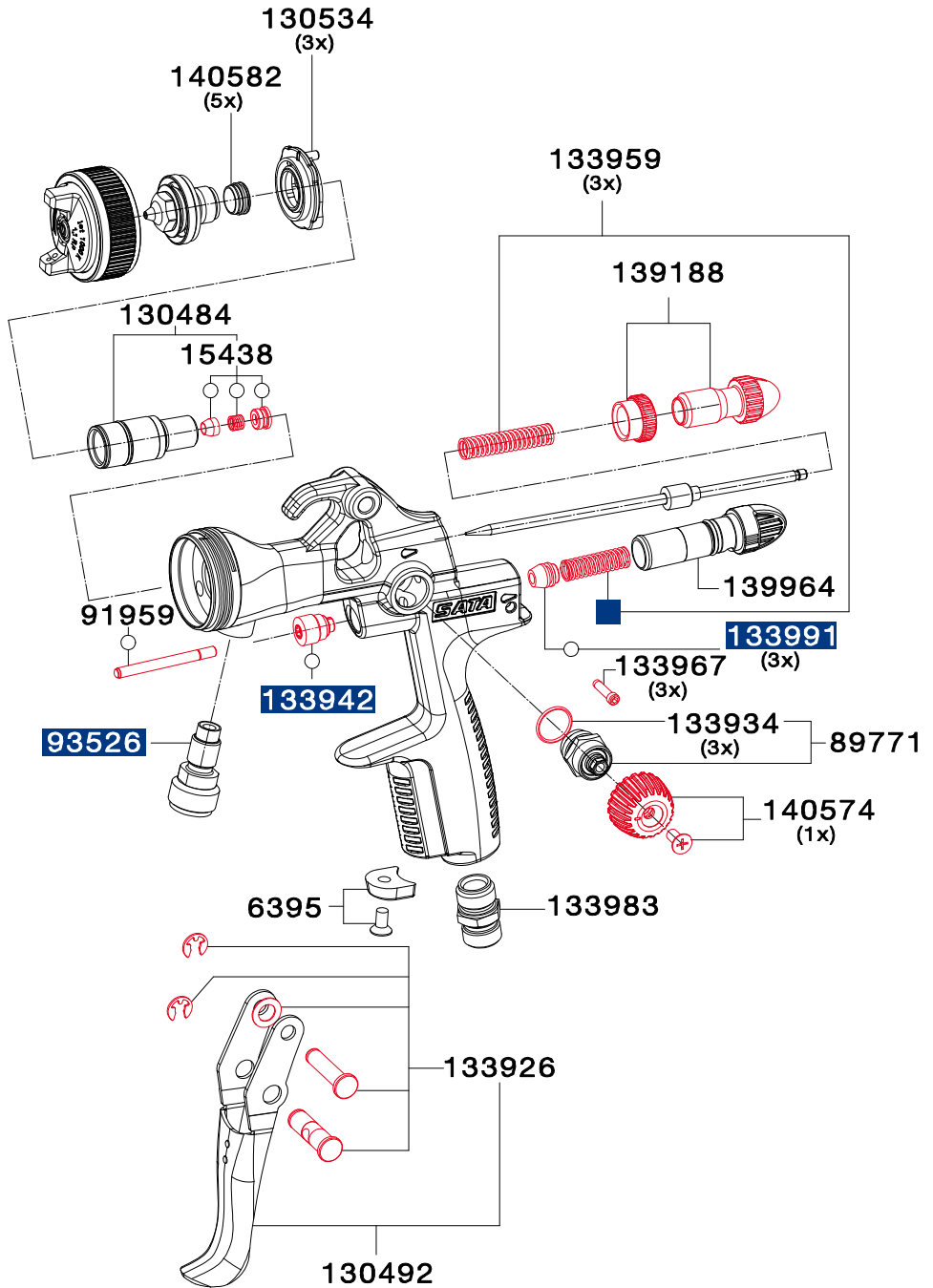
92031	SATA paint tube G 3/8" (female thread) - 3/8" (male thread) for SATA pressure fed spray guns
38265	SATA paint strainer 60 msh, G 3/8" (female thread) and 3/8" (male thread) for SATA pressure fed spray gun except for SATAmijet

Further accessories as well as material and air connections see page 54. Extensions see page 52.

All prices are recommended list prices. Errors, technical modifications and printing errors reserved.

# Spare Parts SATAjet® 1000 K

Art. No./Descr.
6395 CCS Clips, green, blue, red, black packing unit 4 pieces)
15438 Paint needle packing
89771 Spindle, cpl., f. round / flat spray control SATAjet 2000 HVLV
91959 Air piston rod
93526 Material connection, stainless steel
130484 Insert, cpl.
130492 Trigger kit
130534 Air distribution ring (packing unit 3 pieces)
133926 Trigger sleeve kit
133934 Sealing (packing unit 3 pieces) for spindle
133942 Seal retainer, cpl.
133959 Pressure spring (3 pieces) for paint needle and air piston
133967 Adjustment screw (packing unit 3 pieces) for air micrometer
133983 Air connection piece 1/4" male thread
133991 Air piston head (packing unit 3 pieces)
139188 Material flow control with counter nut
139964 Air micrometer
140574 Control knob with screw
140582 Sealing element (packing unit 5 pieces) for fluid tip



All prices are recommended list prices. Errors, technical modifications and printing errors reserved.

Art. No./Descr.
9050 <b>Tool kit</b>
· Extraction tool
· Paint strainer
· Cleaning brush
· Allen wrench 2 mm width
· Allen wrench 4 mm width
· Universal spanner




Art. No./Descr.
<b>130542</b> <b>Repair kit</b>
<b>92759</b> <b>Air piston service unit</b>
○ <b>183780</b> <b>Sealing kit</b>

# SATAjet® 1000 H RP®



## SATAjet 1000 H RP

	<b>Technical Data</b>	Inlet pressure: 2.5 bar
		Air consumption at 2.0 bar: 275 NI/min
		Spray distance: 17 cm - 21 cm

<b>Nozzle</b>	1,3	1,6	1,8	2,0
---------------	-----	-----	-----	-----



Standard with 1.0 l aluminium siphon cup **without** swivel joint

<b>Art. No.</b>	161034	151266	151274	153353	
-----------------	--------	--------	--------	--------	--

### Nozzle set

<b>Art. No.</b>	161059	151613	151621	153379	
-----------------	--------	--------	--------	--------	--

### Further accessories

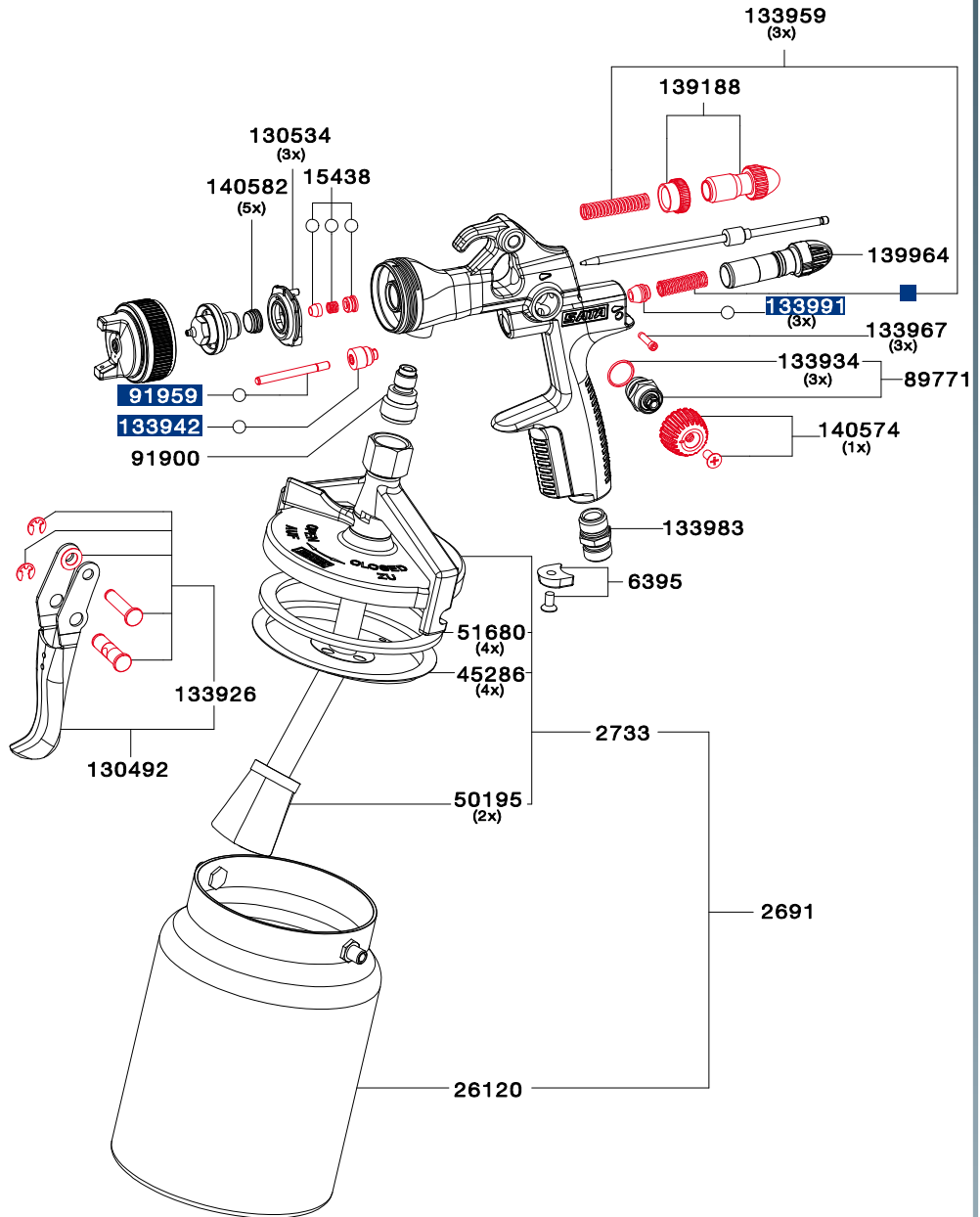
188292	RPS-Adapter No. 16 with QCC and connection G 3/8" (female thread)	
188482	RPS Suction cup kit for 0.3 l consisting of each 25 pins, suction hose and sieve	
188516	RPS Suction cup kit for 0.3 l consisting of each 50 pins, suction hose and sieve	
188490	RPS Suction cup kit for 0.6 l consisting of each 25 pins, suction hose and sieve	
188524	RPS Suction cup kit for 0.6 l consisting of each 50 pins, suction hose and sieve	
188508	RPS Suction cup kit for 0.9 l consisting of each 25 pins, suction hose and sieve	
188532	RPS Suction cup kit for 0.9 l consisting of each 50 pins, suction hose and sieve	

SATA RPS disposable cup systems see page 68.

All prices are recommended list prices. Errors, technical modifications and printing errors reserved.

# Spare Parts SATAjet® 1000 H

Art. No./Descr.
2691 1.0 l aluminium suction cup, cpl.
2733 Lid fitting
6395 CCS Clips, green, blue, red, black packing unit 4 pieces)
15438 Paint needle packing
26120 1.0 l aluminium suction cup, ohne Deckel
45286 Anti-drip device (pack of 4 pieces)
50195 Strainer (packing unit 2 pieces)
51680 Sealing ring (packing unit 4 pieces)
89771 Spindle, cpl., f. round / flat spray control SATAjet 2000 HVL
91900 Material connection, stainless steel
91959 Air piston rod
130492 Trigger kit
130534 Air distribution ring (packing unit 3 pieces)
133926 Trigger sleeve kit
133934 Sealing (packing unit 3 pieces) for spindle
133942 Seal retainer, cpl.
133959 Pressure spring (3 pieces) for paint needle and air piston
133967 Adjustment screw (packing unit 3 pieces) for air micrometer
133983 Air connection piece 1/4" male thread
133991 Air piston head (packing unit 3 pieces)
139188 Material flow control with counter nut
139964 Air micrometer
140574 Control knob with screw
140582 Sealing element (packing unit 5 pieces) for fluid tip



All prices are recommended list prices. Errors, technical modifications and printing errors reserved.

Art. No./Descr.
9050 <b>Tool kit</b>
· Extraction tool
· Paint strainer
· Cleaning brush
· Allen wrench 2 mm width
· Allen wrench 4 mm width
· Universal spanner




Art. No./Descr.
130542 <b>Repair kit</b>
92759 <b>Air piston service unit</b>
○ 183780 <b>Sealing kit</b>

# SATAjet® 100 B F RP®/HVL P, B P



## SATAjet 100 B F RP



<b>Technical Data</b>	Inlet pressure: 1.5 bar - 2.0 bar
	Air consumption at 2.0 bar: 290 NI/min
	Spray distance: 17 cm - 21 cm

<b>Nozzle</b>	1,4	1,6	1,8	2,0	1,1 UV
---------------	-----	-----	-----	-----	--------

**Spray gun with 0.6 l QCC reusable plastic gravity flow cup without swivel joint**

<b>Art. No.</b>	146969	145193	145201	145219	-
-----------------	--------	--------	--------	--------	---

**Spray gun with 0.75 l QCC reusable aluminium gravity flow cup without swivel joint**

<b>Art. No.</b>	153023	146134	146142	147421	-
-----------------	--------	--------	--------	--------	---

**Spray gun with 0.6 l disposable RPS cup without swivel joint**

<b>Art. No.</b>	-	-	-	-	203125
-----------------	---	---	---	---	--------


<b>Nozzle</b>	1,4	1,6	1,8	2,0	1,1 UV
---------------	-----	-----	-----	-----	--------

**Nozzle set**

<b>Art. No.</b>	146977	145250	145268	145276	182600
-----------------	--------	--------	--------	--------	--------



## SATAjet 100 B F HVL P

<b>Technical Data</b>	Inlet pressure: 2.0 bar
	Air consumption at 2.0 bar: 350 NI/min
	Spray distance: 10 cm - 15 cm

<b>Nozzle</b>	1,4	1,7	1,9	2,1
---------------	-----	-----	-----	-----

**Spray gun with 0.6 l QCC reusable plastic cup without swivel joint**

<b>Art. No.</b>	146373	145722	145730	145748
-----------------	--------	--------	--------	--------

**Spray gun with 0.75 l QCC reusable aluminium gravity flow cup without swivel joint**

<b>Art. No.</b>	147447	146175	146183	147454
-----------------	--------	--------	--------	--------


<b>Nozzle</b>	1,4	1,7	1,9	2,1
---------------	-----	-----	-----	-----

**Nozzle set**

<b>Art. No.</b>	146381	145417	145425	145433
-----------------	--------	--------	--------	--------

## SATAjet 100 B P



<b>Technical Data</b>	Inlet pressure: 1.5 bar - 2.0 bar
	Air consumption at 2.0 bar: 245 NI/min
	Spray distance: 17 cm - 21 cm

<b>Nozzle</b>	P
---------------	---

**Spray gun with 0.6 l QCC reusable plastic gravity flow cup without swivel joint**

<b>Art. No.</b>	145185
-----------------	--------

**Spray gun with 0.75 l QCC reusable aluminium gravity flow cup without swivel joint**

<b>Art. No.</b>	146217
-----------------	--------

<b>Nozzle</b>	P
---------------	---

**Nozzle set**

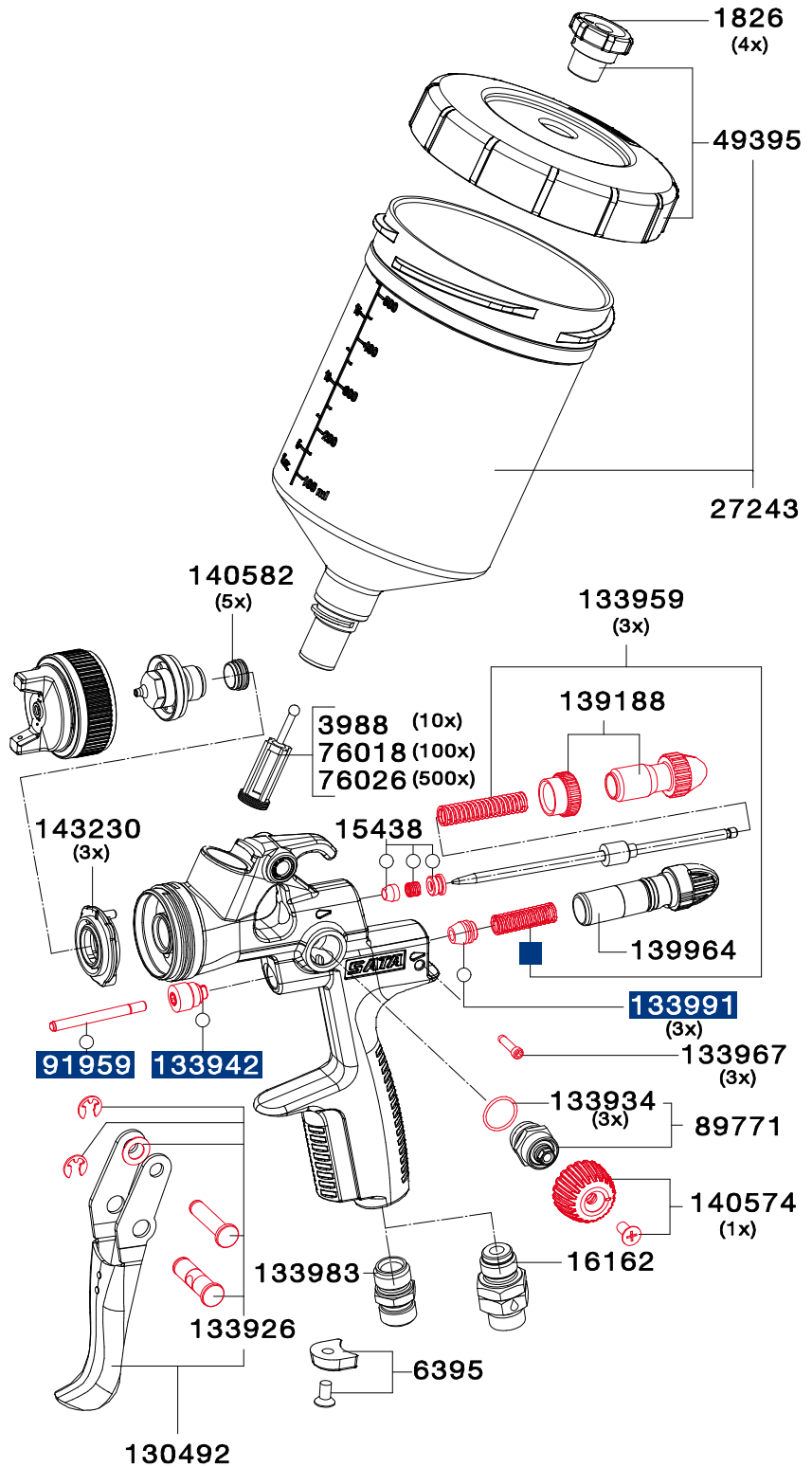
<b>Art. No.</b>	145284
-----------------	--------

All prices are recommended list prices. Errors, technical modifications and printing errors reserved.



# Spare Parts SATAjet® 100 B

Art. No./Descr.
1826 Anti-drip device (packing unit 4 pieces)
3988 Paint strainer, 300 µm (packing unit 10 pieces)
6395 CCS Clips, green, blue, red, black packing unit 4 pieces)
15438 Paint needle packing
25874 O-ring
27243 0.6 l QCC reusable plastic cup, cpl.
49395 Screw-on lid for 0.6 l PVC cup with drip-catching ring and non-drip device
76018 Paint strainer, 300 µm (packing unit 100 pieces)
76026 Paint strainer, 300 µm (packing unit 500 pieces)
78154 Closing cap
89771 Spindle, cpl., f. round / flat spray control SATAjet 2000 HVLP
91959 Air piston rod
130492 Trigger kit
133926 Trigger sleeve kit
133934 Sealing (packing unit 3 pieces) for spindle
133942 Seal retainer, cpl.
133959 Pressure spring (3 pieces) for paint needle and air piston
133967 Adjustment screw (packing unit 3 pieces) for air micrometer
133983 Air connection piece 1/4" male thread
133991 Air piston head (packing unit 3 pieces)
139188 Material flow control with counter nut
139964 Air micrometer
140574 Control knob with screw
140582 Sealing element (packing unit 5 pieces) for fluid tip
143230 Air distribution ring (packing unit 3 pieces)



All prices are recommended list prices. Errors, technical modifications and printing errors reserved.


Art. No./Descr.
9050 <b>Tool kit</b>
· Extraction tool
· Paint strainer
· Cleaning brush
· Allen wrench 2 mm width
· Allen wrench 4 mm width
· Universal spanner

Art. No./Descr.
130542 <b>Repair kit</b>
92759 <b>Air piston service unit</b>
○ 183780 <b>Sealing kit</b>



# SATAmijet® 4400 B RP®/HVLV

## SATAmijet 4400 B RP / RP SR

<b>Technical Data</b>	Inlet pressure: 0.5 bar - 2.5 bar
	Air consumption at 2.5 bar: 200 NI/min
	Spray distance: 12 cm - 19 cm



<b>Nozzle</b>	0,5	1,4	1,6	0,8 SR	1,0 SR	1,2 SR
---------------	-----	-----	-----	--------	--------	--------

### Standard / Spot Repair with 125 ccm QQC reusable plastic gravity flow cup

<b>Art. No.</b>	202416	198234	198242	198200	198218	198226
-----------------	--------	--------	--------	--------	--------	--------

### Spot repair with RPS disposable cup 0.3 l (2x)


<b>Art. No.</b>	-	-	-	202390	198358	198366
-----------------	---	---	---	--------	--------	--------

<b>Nozzle</b>	0,5	1,4	1,6	0,8 SR	1,0 SR	1,2 SR
---------------	-----	-----	-----	--------	--------	--------

### Nozzle set

<b>Art. No.</b>	202408	201319	201327	201285	201293	201301
-----------------	--------	--------	--------	--------	--------	--------

## SATAmijet 4400 B HVLV / HVLV SR

<b>Technical Data</b>	Inlet pressure: 0.5 bar - 2.0 bar
	Air consumption at 2.0 bar: 120 NI/min
	Spray distance: 12 cm - 15 cm



<b>Nozzle</b>	0,3	0,5	0,8	1,0	1,1	0,8 SR	1,0 SR	1,2 SR	1,4 SR
---------------	-----	-----	-----	-----	-----	--------	--------	--------	--------

### Standard / Spot Repair with 125 ccm QQC reusable plastic gravity flow cup

<b>Art. No.</b>	197970	197988	197996	198002	198010	198069	198077	198085	198093
-----------------	--------	--------	--------	--------	--------	--------	--------	--------	--------

### Standard / Spot Repair with RPS disposable cup 0.3 l (2x)

<b>Art. No.</b>	-	-	-	-	-	198168	198176	198184	198192
-----------------	---	---	---	---	---	--------	--------	--------	--------

<b>Nozzle</b>	0,3	0,5	0,8	1,0	1,1	0,8 SR	1,0 SR	1,2 SR	1,4 SR
---------------	-----	-----	-----	-----	-----	--------	--------	--------	--------

### Nozzle set

<b>Art. No.</b>	201194	201202	201210	201228	201236	201244	201251	201269	201277
-----------------	--------	--------	--------	--------	--------	--------	--------	--------	--------

**198382** SATA design set with SATAmijet 4400 B HVLV 1.0

## Spray fan comparison

**SATAmijet 4400 B HVLV | SATAmijet 4400 B RP**  
for standard applications

**SATAmijet 4400 B HVLV SR | SATAmijet 4400 B RP SR**  
especially for spot repair applications:

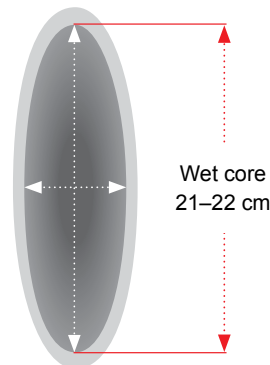
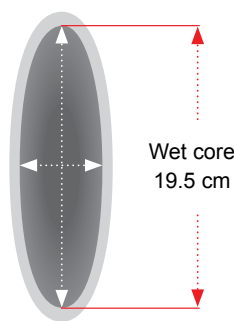
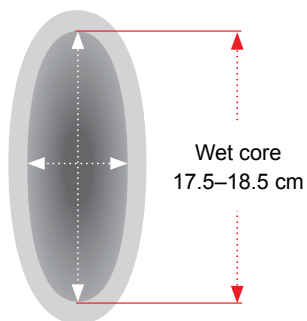
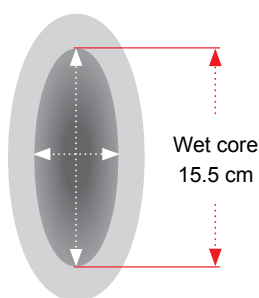
- Lower risk of creating bright edges ("halos")
- Allows application of very thin layers of paint

1.1 HVLV (at 2.0 bar)  
Spray distance 15 cm

1.6 RP (at 2.5 bar)  
Spray distance 17 cm

1.2 HVLV SR (at 2.0 bar)  
Spray distance 15 cm

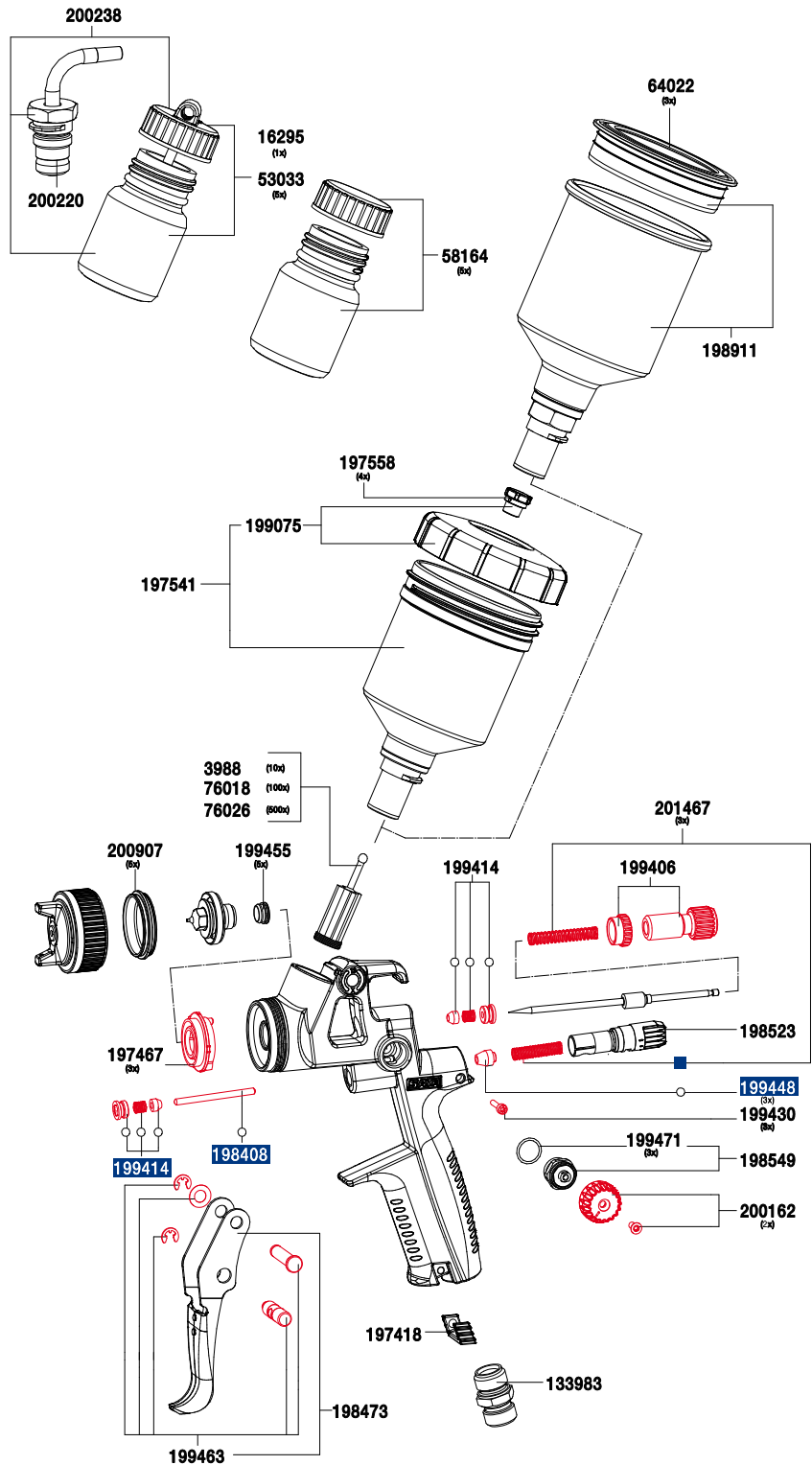
1.2 RP SR (at 2.5 bar)  
Spray distance 17 cm



All prices are recommended list prices. Errors, technical modifications and printing errors reserved.

# Spare parts SATAmijnjet® 4400 B

Art. No./Descr.
3988
Paint strainer, 300 µm (packing unit 10 pieces)
16295
25 ml glass cup with plug-in cup
53033
25 ml glass cup with plug-in cup (packing unit 5 pieces)
58164
25 ml glass cup with blind lid (packing unit 5 pieces)
64022
Plastic lid (3 pieces)
76018
Paint strainer, 300 µm (packing unit 100 pieces)
76026
Paint strainer, 300 µm (packing unit 500 pieces)
133983
Air connection piece 1/4" male thread
197418
CCS Clips, green, blue, red, black (packing unit 4 pieces)
197467
Air distribution ring (packing unit 3 pieces)
197541
0.125 l QCC reusable plastic cup, cpl.
197558
Anti-drip device (packing unit 4 pieces)
198408
Air piston rod
198473
Trigger kit
198523
Air micrometer
198549
Spindle for round / flat spray control
198911
0.15 l QCC reusable aluminium cup, cpl.
199075
Screw cap with drip catcher ring and anti-drip device
199406
Material flow control with counter nut
199414
Packing for paint needle and air piston rod
199430
Adjustment screw (packing unit 3 pieces) for air micrometer
199448
Air piston head (packing unit 3 pieces)
199455
Sealing element (packing unit 5 pieces) for fluid tip
199463
Trigger sleeve kit
199471
Gasket (packing unit 3 pieces) for spindle
201467
Pressure spring (each 3 pieces) for paint needle and air piston
200162
Control knob with screw (each 2 pieces)
200220
Plug-in cup connection with QCC
200238
25 ml glass cup with plug-in lid (packing unit 5 pieces) and QCC plug-in connection (packing unit 1 piece)
200907
Sealing ring (packing unit 5 pieces)



All prices are recommended list prices. Errors, technical modifications and printing errors reserved.

Art. No./Descr.
198572
<b>Tool kit</b>
<ul style="list-style-type: none"> <li>• Universal spanner</li> <li>• Combi tool</li> <li>• Cleaning brush</li> <li>• Paint strainer</li> <li>• Extraction tool</li> </ul>

Art. No./Descr.
198614
<b>Repair kit</b>
199422
<b>Air piston service unit</b>
○ 200246
<b>Sealing kit</b>

# SATAmijet® 3000 B HVLP



replaced by  
**SATAmijet  
4400 B**

## SATAmijet 3000 B HVLP



### Technical Data

Inlet pressure: 2.0 bar  
 Air consumption at 2.0 bar: 115 NI/min  
 Spray distance: 12 cm - 15 cm



Nozzle	0,3	0,5	0,8	1,0	1,1	0,8 SR	1,0 SR	1,2 SR	1,4 SR
--------	-----	-----	-----	-----	-----	--------	--------	--------	--------

### Nozzle set standard

Art. No.	125583	125591	125609	125617	125625
----------	--------	--------	--------	--------	--------

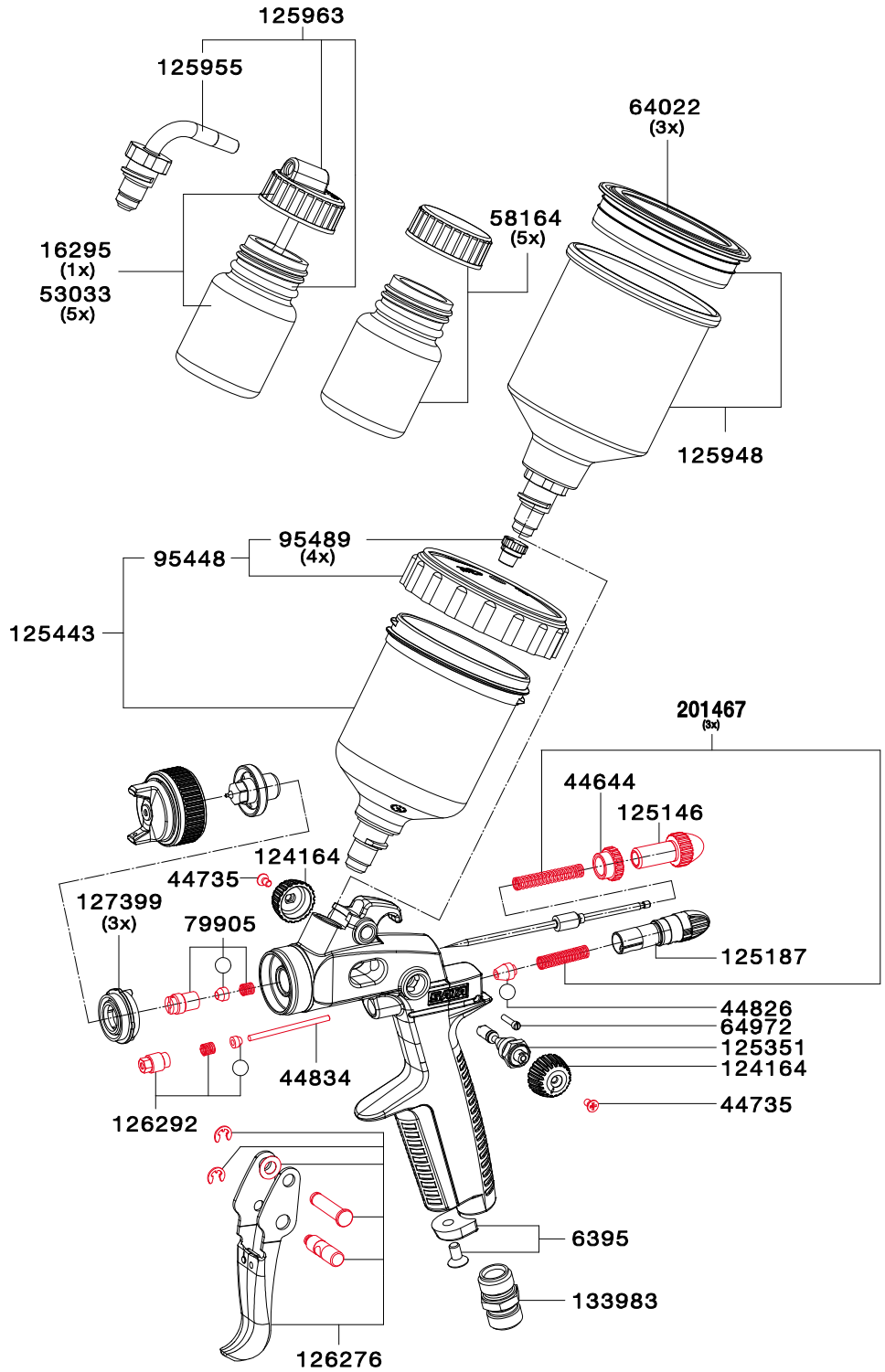
### Nozzle set SR

Art. No.		125682	125690	125708	125716
----------	--	--------	--------	--------	--------

All prices are recommended list prices. Errors, technical modifications and printing errors reserved.

# Spare Parts SATAmijet® 3000 B HVLP

Art. No./Descr.
6395 CCS Clips, green, blue, red, black packing unit 4 pieces)
44644 Counter nut
44735 Countersunk screw M 2.5 x 5, VA
44826 Air piston head
44834 Air piston rod
53033 25 ml glass cup with plug-in cup (packing unit 5 pieces)
58164 25 ml glass cup with blind lid (packing unit 5 pieces)
64022 Plastic lid (3 pieces)
64972 Adjustment screw for air micrometer
79905 Paint needle packing
95448 Screw-on lid 125 ccm PVC cup with anti-drip device
95489 Anti-drip device (4 pieces)
124164 Control knob
125146 Material flow control screw
125187 Air micrometer
125351 Spindle SATAmijet 3000 B HVLP, minijet 4 HVLP
125443 0.125 l QCC reusable plastic cup, cpl.
125948 0.15 l QCC reusable aluminium cup, cpl.
125955 Plug-in cup connection with QCC SATAjet 20 B, dekor 2000, minijet 3000 B HVLP, minijet 4 HVLP
125963 25 ml glass cup with plug-in lid (packing unit 5 pieces) and QCC plug-in connection (packing unit 1 piece)
126276 Trigger kit
126292 Packing kit air piston rod SATAmijet 3000 B HVLP, minijet 4 HVLP
127399 Air distribution ring (packing unit 3 pieces)
133983 Air connection piece 1/4" male thread
201467 Pressure spring (each 3 pieces) for paint needle and air piston



All prices are recommended list prices. Errors, technical modifications and printing errors reserved.

Art. No./Descr.	Euro	
125856	15.90 (3)	
<b>Tool kit</b>		
· Extraction tool		
· Cleaning brush		
· Wrench		
· Universal spanner		

Art. No./Descr.	Euro
<b>126284</b>	<b>56.30 (3)</b>
<b>Repair kit</b>	
○ 50658	15.20 (3)
<b>Sealing kit</b>	

# SATAmijet® 1000 K RP®/HVLP



## SATAmijet 1000 K RP

<b>Technical Data</b>	Inlet pressure: 2.5 bar
	Air consumption at 2.5 bar: 200 NI/min
	Spray distance: 17 cm - 21 cm
	Material connection: 1/4" male thread

<b>Nozzle</b>	0,3	0,5	0,8	1,0	1,2	1,4
---------------	-----	-----	-----	-----	-----	-----

<b>Spray gun</b>						
<b>Art. No.</b>	187450	187468	187476	187484	187492	197152

<b>Nozzle set</b>						
<b>Art. No.</b>	187625	187633	187641	187658	187666	197160

## SATAmijet 1000 K HVLP

<b>Technical Data</b>	Inlet pressure: 2.5 bar
	Air consumption at 2.0 bar: 120 NI/min
	Spray distance: 10 cm - 15 cm
	Material connection: 1/4" male thread

<b>Nozzle</b>	0,3	0,5	0,8	1,0	1,2
---------------	-----	-----	-----	-----	-----

<b>Spray gun</b>					
<b>Art. No.</b>	190280	190298	190306	190314	190322

<b>Nozzle set</b>					
<b>Art. No.</b>	190348	190355	190363	190371	190389



## Required Accessories

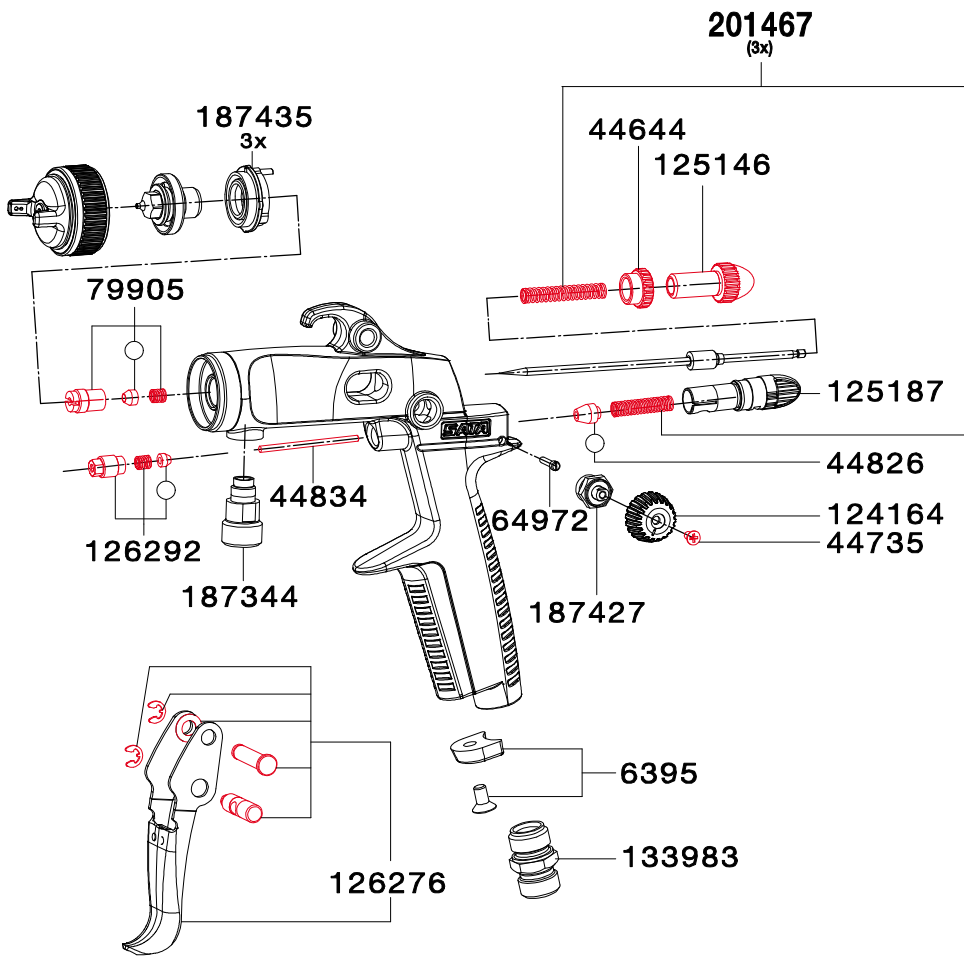
187419	SATA paint tube G 1/4 female thread - 1/4" male thread	
187690	SATA paint strainer 60 msh, 1/4" (male thread)	
199018	SATA paint tube G 1/4" (female thread) - 3/8" (male thread)	

Further accessories as well as material and air connections see page 54.

All prices are recommended list prices. Errors, technical modifications and printing errors reserved.

# Spare Parts SATAminijet® 1000 K

Art. No./Descr.
6395 CCS Clips, green, blue, red, black packing unit 4 pieces)
44644 Counter nut
44735 Countersunk screw M 2.5 x 5, VA
44826 Air piston head
44834 Air piston rod
64972 Adjustment screw for air micrometer
79905 Paint needle packing
124164 Control knob
125146 Material flow control screw
125187 Air micrometer
126276 Trigger kit
126292 Packing kit air piston rod SATAminijet 3000 B HVLP minijet 4 HVLP
133983 Air connection piece 1/4" male thread
187344 Material connection, stainless steel
187427 Spindle for round/flat control
187435 Air distribution ring (packing unit 3 pieces)
201467 Pressure spring (each 3 pieces) for paint needle and air piston



All prices are recommended list prices. Errors, technical modifications and printing errors reserved.

Art. No./Descr.
125856 <b>Tool kit</b>
· Extraction tool
· Cleaning brush
· Wrench
· Universal spanner


Art. No./Descr.
126284 <b>Repair kit</b>
○ 50658 <b>Sealing kit</b>

# SATAmijet® 1000 H RP®/HVLP



## SATAmijet 1000 H RP without cup



<b>Technical Data</b>	Inlet pressure: 2.5 bar
	Air consumption at 2.5 bar: 200 NI/min
	Spray distance: 17 cm - 21 cm
	Material connection: 1/4" male thread

Nozzle 1,4

### Spray gun without cup


Art. No. 187682

### Nozzle set

Art. No. 187674

## SATAmijet 1000 H HVLP without cup



<b>Technical Data</b>	Inlet pressure: 2.0 bar
	Air consumption at 2.0 bar: 120 NI/min
	Spray distance: 10 cm - 15 cm
	Material connection: 1/4" male thread

Nozzle 1,4



### Spray gun without cup

Art. No. 191502

### Nozzle set

Art. No. 191494

## Required Accessories

188318	RPS-Adapter No. 17 with QCC and connectionG 1/4" (female thread)	
188482	RPS Suction cup kit for 0.3 l consisting of each 25 pins, suction hose and sieve	
188516	RPS Suction cup kit for 0.3 l consisting of each 50 pins, suction hose and sieve	
188490	RPS Suction cup kit for 0.6 l consisting of each 25 pins, suction hose and sieve	
188524	RPS Suction cup kit for 0.6 l consisting of each 50 pins, suction hose and sieve	
188508	RPS Suction cup kit for 0.9 l consisting of each 25 pins, suction hose and sieve	
188532	RPS Suction cup kit for 0.9 l consisting of each 50 pins, suction hose and sieve	

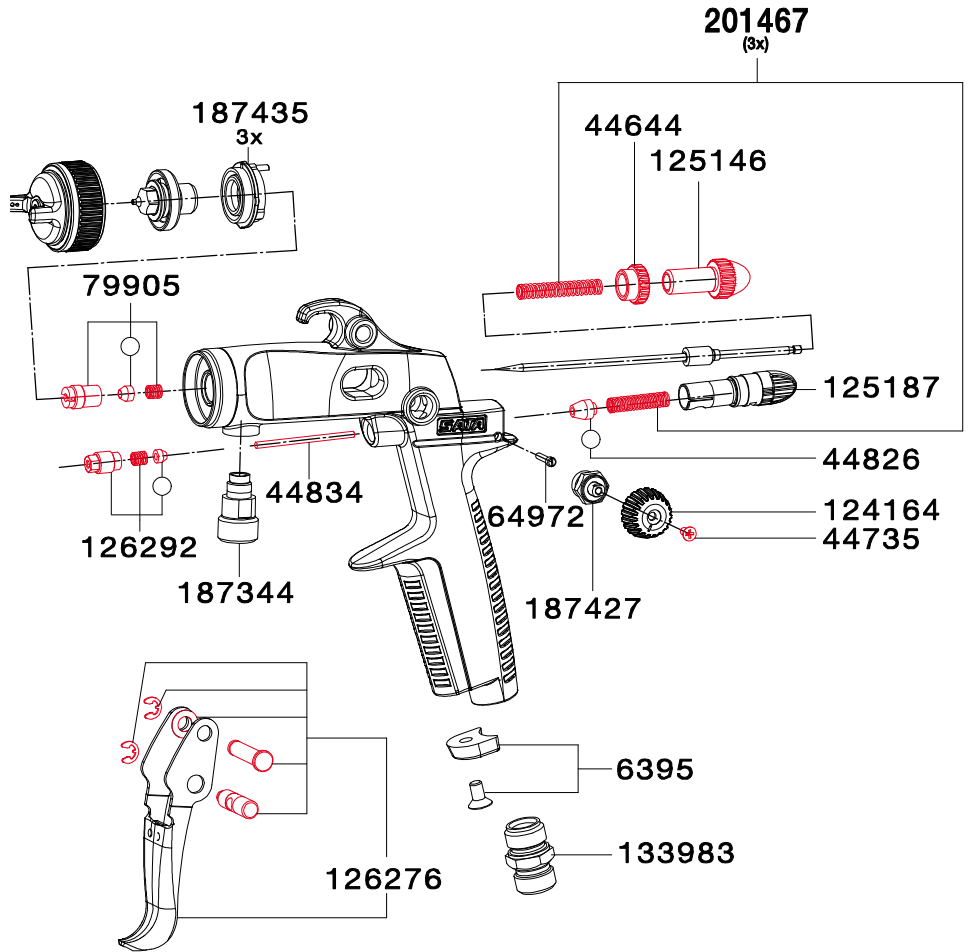
SATA RPS disposable cup systems see page 68.

All prices are recommended list prices. Errors, technical modifications and printing errors reserved.



# Spare Parts SATAminijet® 1000 H

Art. No./Descr.
6395 CCS Clips, green, blue, red, black packing unit 4 pieces)
44644 Counter nut
44735 Countersunk screw M 2.5 x 5, VA
44826 Air piston head
44834 Air piston rod
64972 Adjustment screw for air micrometer
79905 Paint needle packing
124164 Control knob
125146 Material flow control screw
125187 Air micrometer
126276 Trigger kit
126292 Packing kit air piston rod SATAminijet 3000 B HVLP minijet 4 HVLP
133983 Air connection piece 1/4" male thread
187344 Material connection, stainless steel
187427 Spindle for round/flat control
187435 Air distribution ring (packing unit 3 pieces)
201467 Pressure spring (each 3 pieces) for paint needle and air piston



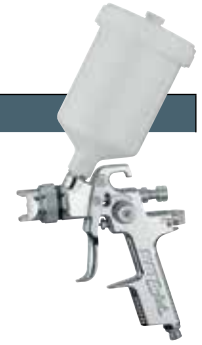
All prices are recommended list prices. Errors, technical modifications and printing errors reserved.

Art. No./Descr.
125856 <b>Tool kit</b>
· Extraction tool
· Cleaning brush
· Wrench
· Universal spanner


Art. No./Descr.
126284 <b>Repair kit</b>
○ 50658 <b>Sealing kit</b>



# SATAjet® B (SATAjet® GR)



## SATAjet B

	<b>Technical Data</b>	Inlet pressure: 4.0 bar
		Air consumption at 4.0 bar: 350 NI/min
		Spray distance: 18 cm - 23 cm

<b>Nozzle</b>	1,0 E	MSB	1,4 E	1,5 E	1,7 E
---------------	-------	-----	-------	-------	-------

Spray gun with 0.6 l QCC reusable plastic gravity flow cup **without** swivel joint

<b>Art. No.</b>	3202	3236	3228	3244	3251
-----------------	------	------	------	------	------

Spray gun with 0.6 l QCC reusable PVC gravity flow cup **with** swivel joint


<b>Art. No.</b>	-	58859	54494	88179	89003
-----------------	---	-------	-------	-------	-------

<b>Nozzle</b>	1,0 E	MSB	1,4 E	1,5 E	1,7 E
---------------	-------	-----	-------	-------	-------

**Nozzle set**

<b>Art. No.</b>	4143	4127	3848	4119	4101
-----------------	------	------	------	------	------

## SATAjet GR

	<b>Technical Data</b>	Inlet pressure: 4.0 bar
		Air consumption at 4.0 bar: 350 NI/min
		Spray distance: 18 cm - 23 cm

<b>Nozzle</b>	1,3 W	1,5 W	1,7 W	2,0 W	2,5 W	3,0 W
---------------	-------	-------	-------	-------	-------	-------

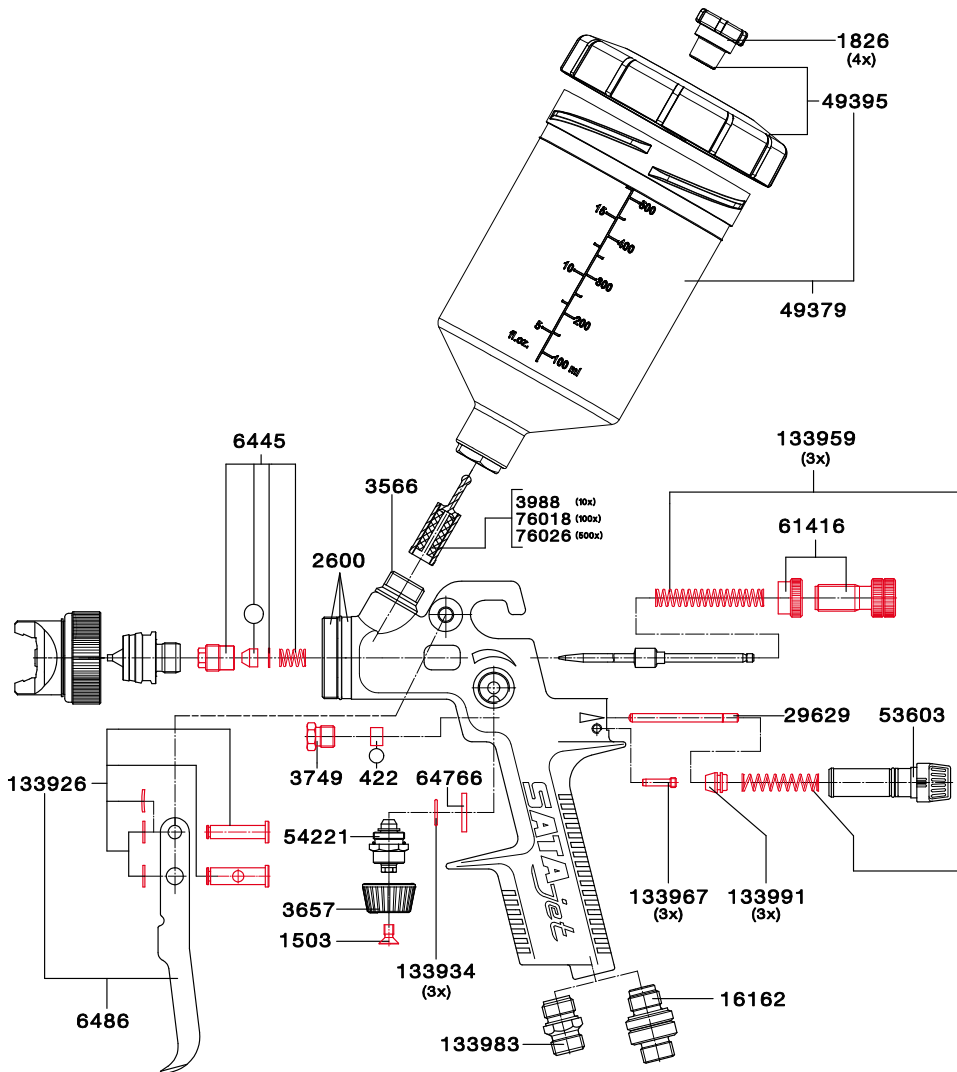
**Nozzle set**

<b>Art. No.</b>	31252	31898	31997	4093	13003	13011
-----------------	-------	-------	-------	------	-------	-------

All prices are recommended list prices. Errors, technical modifications and printing errors reserved.

# Spare Parts SATAjet® B (SATAjet® GR)

Art. No./Descr.
422
Gasket for air piston
1503
Countersunk screw M4 x 8 DIN 965, stainless steel, for micrometer und round/flat spray control
1826
Anti-drip device (packing unit 4 pieces)
2600
Service unit for nozzle insert for SATAjet/B, H, K and NR 92, consisting of nozzle insert, distribution plate and sealing ring
3566
Inlet nipple
3657
Control knob
3749
Stuffing box for air piston SATAjet, KL, HKD and MC-B
3988
Paint strainer, 300 µm (packing unit 10 pieces)
6445
Paint needle packing
6486
Trigger kit
16162
Swivel joint
29629
Air piston rod
49379
0.6 l reusable plastic cup, cpl.
49395
Screw-on lid for 0.6 l PVC cup with drip-catching ring and non-drip device
53603
Air micrometer
54221
Spindle complete, for SATAjet/90, SATAjet, regulation valve and MC-B
61416
Material flow control with counter nut
64766
Washer
76018
Paint strainer, 300 µm (packing unit 100 pieces)
76026
Paint strainer, 300 µm (packing unit 500 pieces)
133926
Trigger sleeve kit
133934
Sealing (packing unit 3 pieces) for spindle
133959
Pressure spring (3 pieces) for paint needle and air piston
133967
Adjustment screw (packing unit 3 pieces) for air micrometer
133983
Air connection piece 1/4" male thread
133991
Air piston head (packing unit 3 pieces)



All prices are recommended list prices. Errors, technical modifications and printing errors reserved.

Art. No./Descr.
9654
<b>Tool kit</b>
· Paint strainer
· Cleaning brush
· Socket wrench 7 mm width
· Internal hexagonal wrench 2/4 mm width
· Universal spanner

Art. No./Descr.
<b>69666</b>
<b>Repair kit</b>
<input type="radio"/> 9829
Sealing kit

# SATAjet® H



## SATAjet H

### Technical Data

Inlet pressure: 4.0 bar  
 Air consumption at 4.0 bar: 380 NI/min  
 Spray distance: 18 cm - 23 cm



<b>Nozzle</b>	1,5	MSH	2,0
---------------	-----	-----	-----

### Spray gun with 1.0 l aluminium siphon cup



<b>Art. No.</b>	23721	23747	-
-----------------	-------	-------	---

<b>Nozzle</b>	1,5	MSH	2,0
---------------	-----	-----	-----

### Nozzle set

<b>Art. No.</b>	23663	23697	23689
-----------------	-------	-------	-------

### Required Accessories

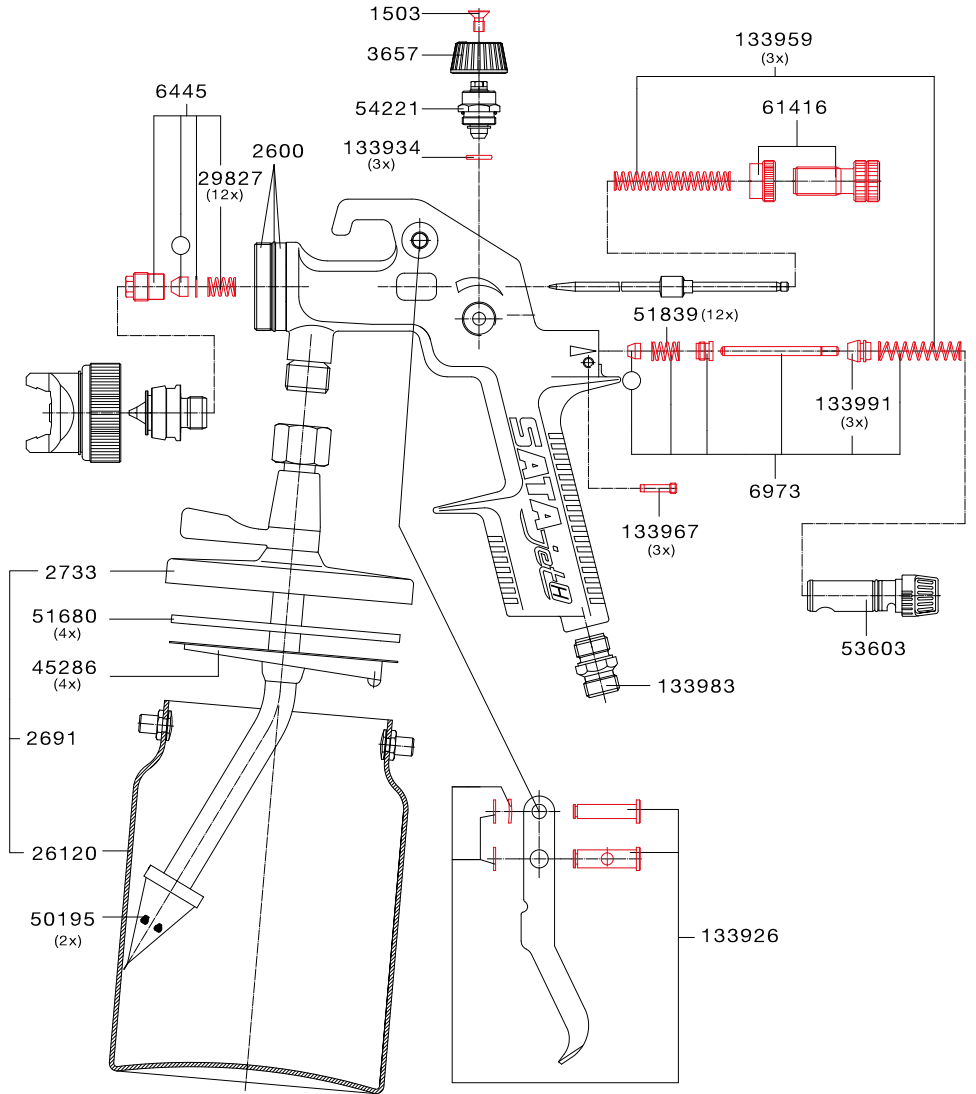
188292	RPS-Adapter No. 16 with QCC and connection G 3/8" (female thread)	
188482	RPS Suction cup kit for 0.3 l consisting of each 25 pins, suction hose and sieve	
188516	RPS Suction cup kit for 0.3 l consisting of each 50 pins, suction hose and sieve	
188490	RPS Suction cup kit for 0.6 l consisting of each 25 pins, suction hose and sieve	
188524	RPS Suction cup kit for 0.6 l consisting of each 50 pins, suction hose and sieve	
188508	RPS Suction cup kit for 0.9 l consisting of each 25 pins, suction hose and sieve	
188532	RPS Suction cup kit for 0.9 l consisting of each 50 pins, suction hose and sieve	

SATA RPS disposable cup systems see page 68.

All prices are recommended list prices. Errors, technical modifications and printing errors reserved.

# Spare Parts SATAjet® H

Art. No./Descr.
1503 Countersunk screw M4 x 8 DIN 965, stainless steel, for micrometer und round/flat spray control
2600 Service unit for nozzle insert for SATAjet/B, H, K and NR 92, consisting of nozzle insert, distribution plate and sealing ring
2691 1.0 l aluminium suction cup, cpl.
2733 Lid fitting
3657 Control knob
6445 Paint needle packing
6973 Air piston servicing unit
26120 1.0 l aluminium suction cup, ohne Deckel
45286 Anti-drip device (pack of 4 pieces)
50195 Strainer (packing unit 2 pieces)
51680 Sealing ring (packing unit 4 pieces)
51839 Pressure spring (packing unit 12 pieces) for air piston packing
53603 Air micrometer
54221 Spindle complete, for SATAjet/90, SATAjet, regulation valve and MC-B
61416 Material flow control with counter nut
133926 Trigger sleeve kit
133934 Sealing (packing unit 3 pieces) for spindle
133959 Pressure spring (3 pieces) for paint needle and air piston
133967 Adjustment screw (packing unit 3 pieces) for air micrometer
133983 Air connection piece 1/4" male thread
133991 Air piston head (packing unit 3 pieces)



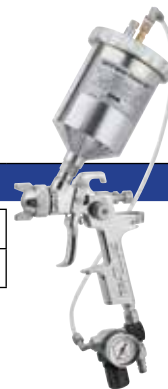
All prices are recommended list prices. Errors, technical modifications and printing errors reserved.

Art. No./Descr.
9654 <b>Tool kit</b>
· Paint strainer
· Cleaning brush
· Socket wrench 7 mm width
· Internal hexagonal wrench 2/4 mm width
· Universal spanner

Art. No./Descr.
70623 <b>Repair kit</b>
○ 50666 <b>Sealing kit</b>



# SATA® spray master RP®



## SATA spray master RP

### Technical Data

Inlet pressure: 3.0 bar



Air consumption: 230 NI/min

<b>Nozzle</b>	SM	1,7	2,0
---------------	----	-----	-----

**Spray gun** with 0.7 l pressurised cup, pressure gauge and reducing valve

<b>Art. No.</b>	72900	73734	74120
-----------------	-------	-------	-------

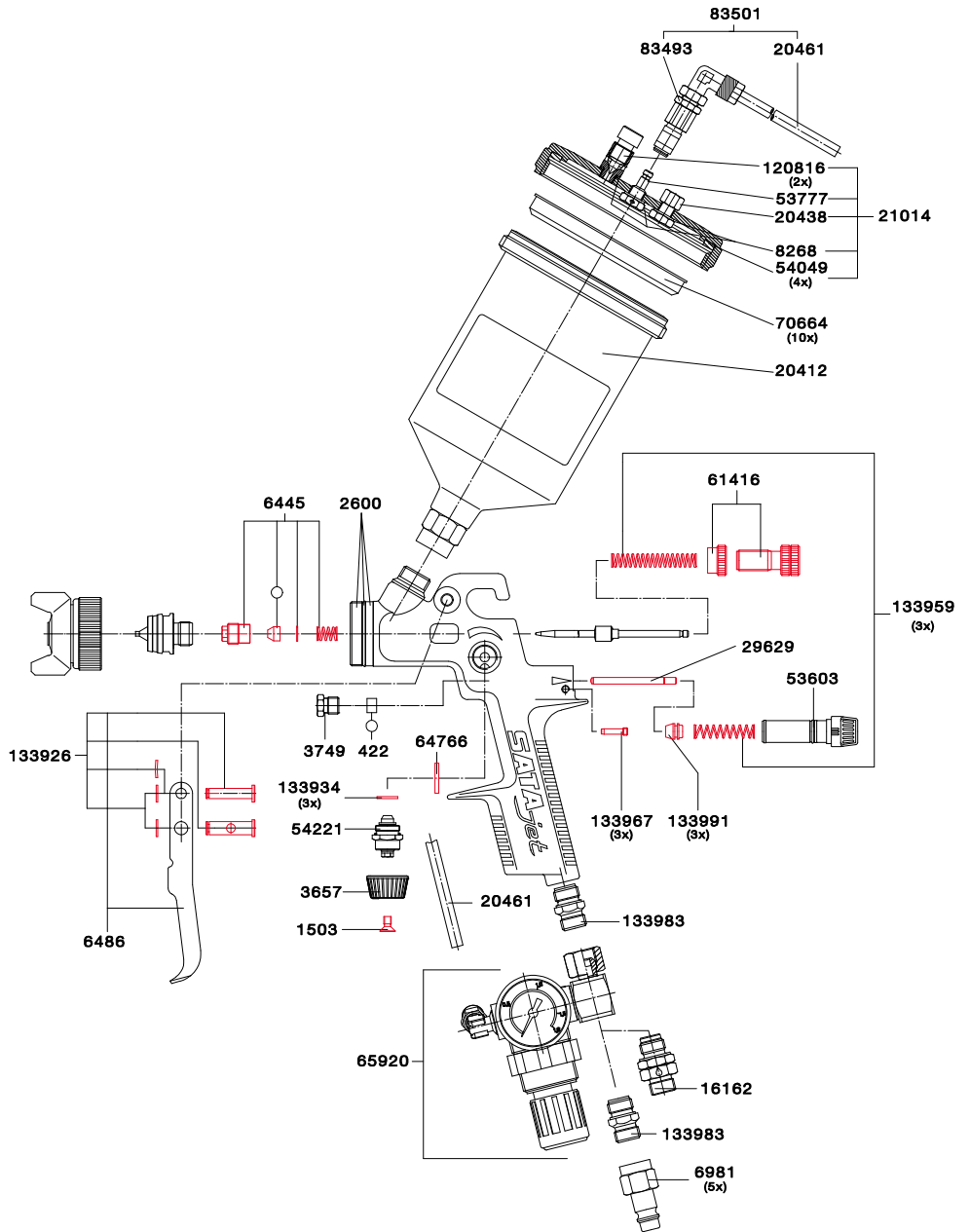
### Nozzle set

<b>Art. No.</b>	77982	73791	78279
-----------------	-------	-------	-------

All prices are recommended list prices. Errors, technical modifications and printing errors reserved.

# Spare Parts SATA® spray master RP®

Art. No./Descr.
422
Gasket for air piston
1503
Countersunk screw M4 x 8 DIN 965, stainless steel, for micrometer und round/flat spray control
2600
Service unit for nozzle insert for SATAjet/B, H, K and NR 92, consisting of nozzle insert, distribution plate and sealing ring
3657
Control knob
3749
Stuffing box for air piston SATAjet, KL, HKD and MC-B
6445
Paint needle packing
6486
Trigger kit
6981
SATA quick coupling nipple G 1/4" (female thread) (packing unit 5 pieces)
8268
Sealing ring
16162
Swivel joint
20412
0.7 l pressure pot, aluminium without lid
20438
Safety pressure relief valve BVD
20461
Plastic air hose for BVD and agitator cup
21014
Aluminium lid, cpl.
29629
Air piston rod
53603
Air micrometer
53777
Air connection for aluminium lid
54049
Sealing ring (packing unit 4 pieces)
54221
Spindle complete, for SATAjet/90, SATAjet, regulation valve and MC-B
61416
Material flow control with counter nut
64766
Washer
65920
Control fittings, complete, for BVD pressurized cup connection kit (GR and LM)
70664
Anti-drip device (packing unit 10 pieces)
83493
Connection for pressurised cup, cpl.
83501
Air hose cpl. w. pressurized cup connection, for SATA Spray-Master
120816
Pressure release screw (packing unit 2 pieces)
133926
Trigger sleeve kit
133934
Sealing (packing unit 3 pieces) for spindle
133959
Pressure spring (3 pieces) for paint needle and air piston
133967
Adjustment screw (packing unit 3 pieces) for air micrometer
133983
Air connection piece 1/4" male thread
133991
Air piston head (packing unit 3 pieces)



All prices are recommended list prices. Errors, technical modifications and printing errors reserved.

Art. No./Descr.
9654
<b>Tool kit</b>
· Paint strainer
· Cleaning brush
· Socket wrench 7 mm width
· Internal hexagonal wrench 2/4 mm width
· Universal spanner



Art. No./Descr.
70623
<b>Repair kit</b>
○ 9829
<b>Sealing kit</b>

# SATAjet® 20 B



## SATAjet 20 B

	<b>Technical Data</b>	Inlet pressure: 1.0 bar
		Air consumption at 1.5 bar: 40 NI/min
		Spray distance: variable

<b>Nozzle</b>	0,2 fineline	0,2	0,35	0,5	0,8	1,0
---------------	--------------	-----	------	-----	-----	-----

### Spray gun with 65 ml PVC cup

<b>Art. No.</b>	–	65078	65581	65649	66316	69229
<b>Art. No.</b>	189035					

### Spray gun with 65 ml plastic cup, glass plug-on cup and 3 glass jars with blank lid

<b>Art. No.</b>	–	86181	86199	86207	86215	86223
<b>Nozzle</b>	0,2 fineline	0,2	0,35	0,5	0,8	1,0

<b>Nozzle set</b>						
<b>Art. No.</b>	–	60459	60640	61200	61341	61523
<b>Art. No.</b>	189043					

### Line thicknesses SATAjet 20 B

0.2 mm		Nozzle set fineline 0.2
0.6 mm		Nozzle set 0.2
0.8 mm		Nozzle set 0.35
1.1 mm		Nozzle set 0.5
1.5 mm		Nozzle set 0.8
1.9 mm		Nozzle set 1.0

### SATA jet 20 B design set

Euro

90381	SATAjet 20 B design set 0.5 with accessories in case Contains: various cup versions such as plastic cup, plug-in cup, glass cup, cleaning kit, SATA air micrometer with pressure gauge, spray gun stand, tool kit, nozzle set 0.2, PVC compressed air hose.
-------	--



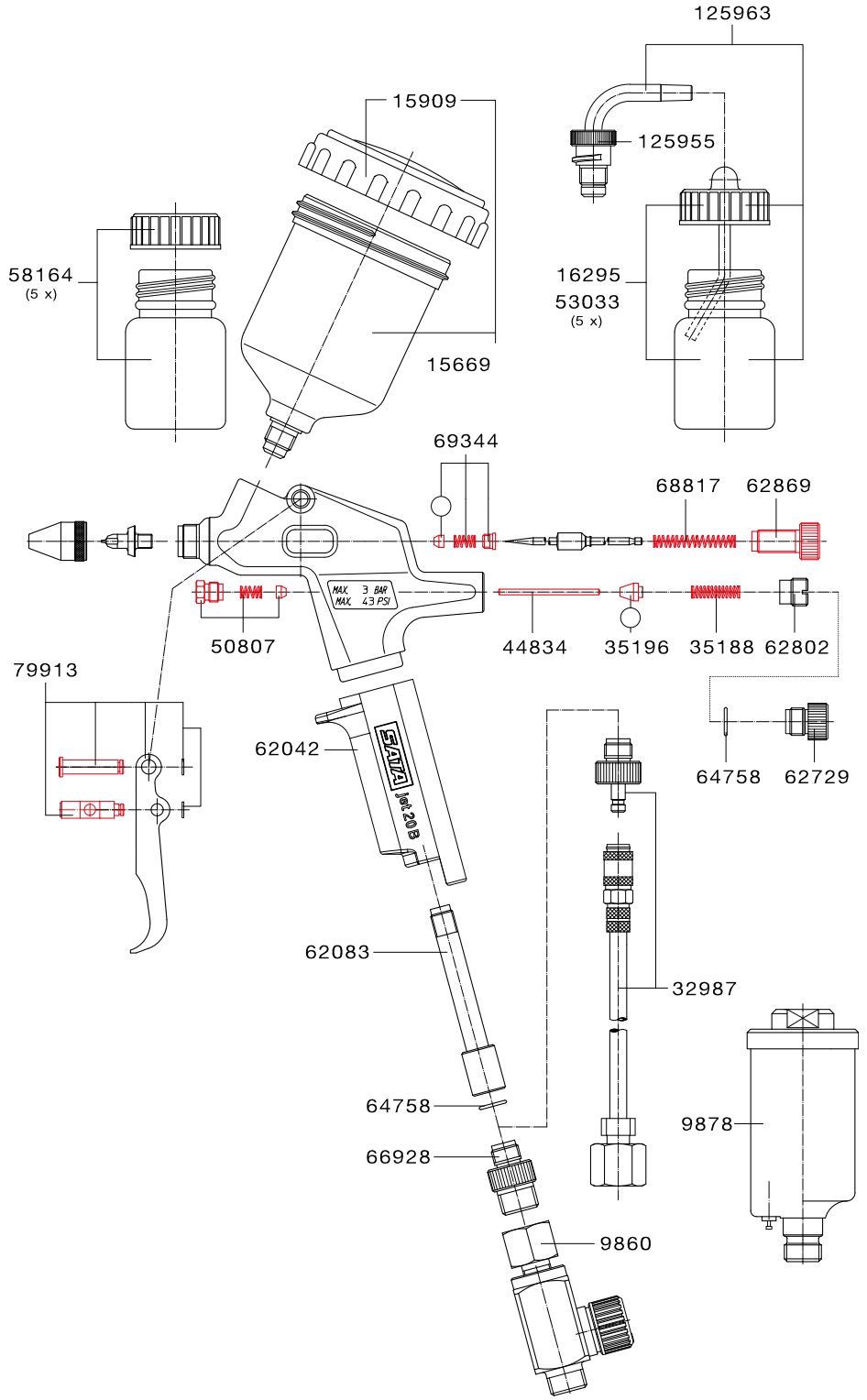
Completely assembled air hoses see page 120.

All prices are recommended list prices. Errors, technical modifications and printing errors reserved.



# Spare Parts SATAjet® 20 B

Art. No./Descr.
9860 SATA air micrometer 0-845, 1/4" (male thread) and G 1/4" (female thread)
9878 SATA mini filter 1/4" (male thread)
15669 65 ml PVC reusable cup, cpl.
15909 PVC screw-on lid 65 ccm PVC cup SATAjet 20 B, dekor 2000
16295 25 ml glass cup with plug-in cup
32987 SATA PVC compressed air hose, transparent, 3 m long with G 1/4" (female thread), mini quick coupling and nipple
35188 Pressure spring for air piston
35196 Air piston head
44834 Air piston rod
50807 Service unit air piston rod SATAjet 20 B, dekor 2000, minijet 3 HVLP
53033 25 ml glass cup with plug-in cup (packing unit 5 pieces)
58164 25 ml glass cup with blind lid (packing unit 5 pieces)
62042 Spray gun handle SATAjet 20 B, dekor 2000
62083 Air pipe
62729 Closing screw SATAjet 20 B, dekor 2000
62802 Compression screw 1/8" (male thread)
62869 Material flow control screw
64758 O-ring
66928 Air connection 1/8" (male thread) - 1/4" (male thread)
68817 Pressure spring for paint needle
69344 Paint needle packing
79913 Trigger kit
125955 Plug-in cup connection with QCC SATAjet 20 B, dekor 2000, minijet 3000 B HVLP, minijet 4 HVLP
125963 25 ml glass cup with plug-in lid (packing unit 5 pieces) and QCC plug-in connection (packing unit 1 piece)



All prices are recommended list prices. Errors, technical modifications and printing errors reserved.

**Art. No./Descr.**

- 9373  
**Tool kit**
- Cleaning brush
  - Universal spanner
  - Hexagonal screwdriver




**Art. No./Descr.**

- 91165  
**Repair kit**
- 69427  
**Sealing kit**

# SATAgaph™ 1/3/4

## SATAgaph 1 - The Starter Model

	Technical Data	Inlet pressure: variable
		Air consumption: 10 NI/min
		Spray distance: variable



<b>Nozzle</b>	0,25	0,45
---------------	------	------

### Each with aluminium case


134544	SATAgaph 1 0.25 with 2.5 ml gravity flow cup, in aluminium case, without hose
139568	SATAgaph 1 0.25 with 5 ml suction cup, in aluminium case, without hose
141408	SATAgaph 1 0.45 with 5 ml suction cup, in aluminium case, without hose

<b>Nozzle</b>	0,25	0,45
---------------	------	------

### Nozzle set

<b>Art. No.</b>	134619	134635
-----------------	--------	--------

## SATAgaph 3 - Premium Airbrush for Professionals

	Technical Data	Inlet pressure: variable
		Air consumption: 10 NI/min
		Spray distance: variable



<b>Nozzle</b>	0,15	0,25	0,45	0,65
---------------	------	------	------	------

### Each with aluminium case


134551	SATAgaph 3 0.25 with 2.5 ml gravity flow cup, PVC air hose 3m with mini quick coupling and G 1/4" (female thread)
134569	SATAgaph 3 0.25 with 2.5 ml gravity flow cup, in aluminium case, without hose
134577	SATAgaph 3 0.25 with 5 ml siphon cup, PVC air hose 3 m with mini quick coupling and G 1/4" (female thread)
134585	SATAgaph 3 0.25 with 5 ml siphon cup, in aluminium case, without hose

<b>Nozzle</b>	0,15	0,25	0,45	0,65
---------------	------	------	------	------

### Nozzle set

<b>Art. No.</b>	134643	134650	134668	134676
-----------------	--------	--------	--------	--------

## SATAgaph 4\* - Universal airbrush gun

	Technical Data	Inlet pressure: variable
		Air consumption: 10 NI/min
		Spray distance: variable



<b>Nozzle</b>	0,5
---------------	-----

### Each with aluminium case

227629	SATAgaph 4 nozzle 0.5 with 7 ml standard cup
227637	SATAgaph 4 nozzle 0.5 with 7 ml side cup
227645	SATAgaph 4 nozzle 0.5 with 6 ml suction cup

<b>Nozzle</b>	0,5
---------------	-----

### Nozzle set

<b>Art. No.</b>	227363
-----------------	--------

\* SATAgaph 4 is supplied without hoses and quick coupling nipple. These components have to be ordered separately (see spare parts)

All prices are recommended list prices. Errors, technical modifications and printing errors reserved. Air hoses for design spray guns see page 120.

# Spare Parts SATAgraph™ 1/3/4

**Art. No./Descr.**

**SATAgraph 1**

32615	Coupling nipple (packing unit 3 pieces)
134767	2.5 ml gravity flow cup, cpl.
134775	5 ml gravity flow cup, cpl.
134783	5 ml suction cup, cpl.
134809	Trigger
138909	O-ring (packing unit 5 pieces)
142638	O-Ring (packing unit 5 pieces)

**SATAgraph 3**

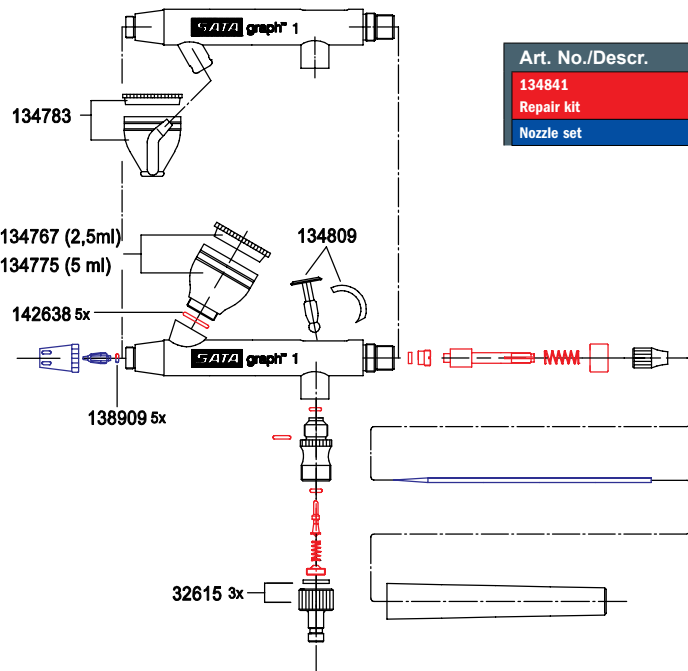
32615	Coupling nipple (packing unit 3 pieces)
134767	2.5 ml gravity flow cup, cpl.
134775	5 ml gravity flow cup, cpl.
134783	5 ml suction cup, cpl.
134817	Needle cap
134833	Grip end piece
134957	Trigger
138909	O-ring (packing unit 5 pieces)
142638	O-Ring (packing unit 5 pieces)

**SATAgraph 4**

227108	Wrench for nozzle head
227116	O-Ring (packing unit 5 pieces)
227215	Trigger
227231	Handle end piece, complete
227249	Protection cap for paint needle
227256	23 ml glass cup, cpl.
227264	6 ml metal suction cup, cpl.
227272	7 ml metal side cup, cpl.
227280	Plug for material supply from the side, red
227306	Lid for metal paint cup, side cup and gravity flow cup version
227314	30 ml glass cup, cpl. with neutral lid
227322	30 ml glass cup, cpl.
227330	23 ml glass cup, cpl. with Fast Blast

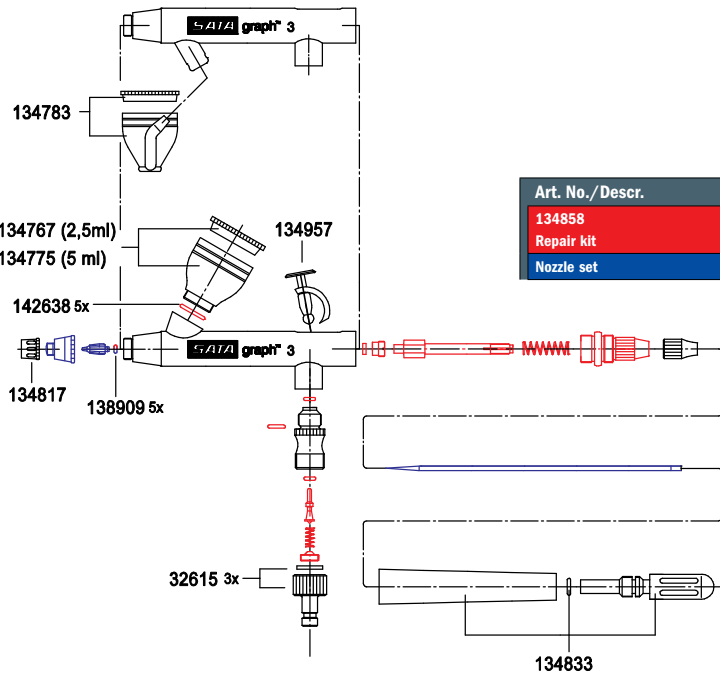
**Hoses and nipples**

32615	Coupling nipple (packing unit 3 pieces)
32987	SATA PVC compressed air hose, transparent, 3 m long with G 1/4" (female thread), mini quick coupling and nipple
134791	SATA Fibre air hose, 2.5 m long with G 1/4" (female thread), mini quick coupling



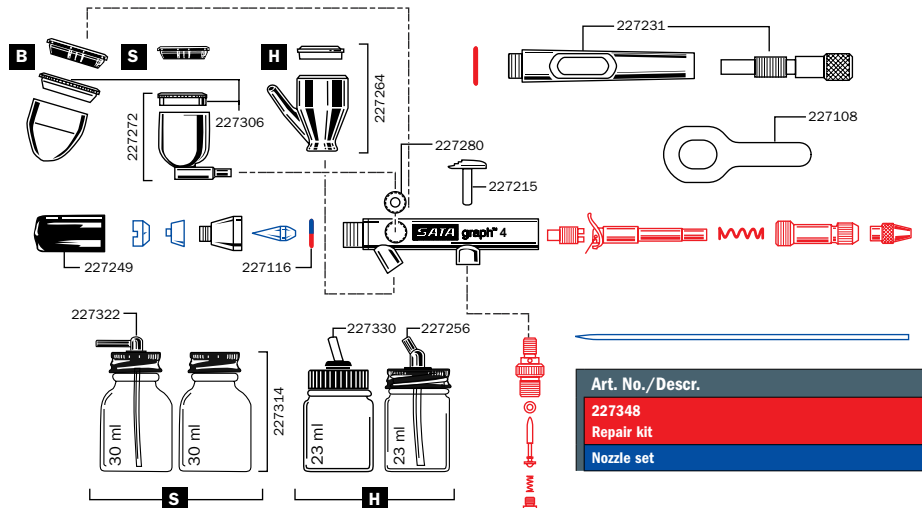
**Art. No./Descr.**

134841	Repair kit
	Nozzle set



**Art. No./Descr.**

134858	Repair kit
	Nozzle set



**Art. No./Descr.**

227348	Repair kit
	Nozzle set

All prices are recommended list prices. Errors, technical modifications and printing errors reserved.

## Extensions SATAjet® 1000 K RP®, B RP®



Extensions SATAjet 1000 K RP		
154435	Extension with standard nozzle (0°), 20 cm with nozzle set 1.5 RP for SATAjet 1000 K RP	
154476	Extension with diagonal spray nozzle (30°), 20 cm with nozzle set 1.6 RP for SATAjet 1000 K RP	
154518	Extension with rotary nozzle (360°), 20 cm with nozzle set 1.6 RP for SATAjet 1000 K RP	
154559	Extension with angular head nozzle (90°), 20 cm with nozzle set 1.5 RP for SATAjet 1000 K RP	
Extensions SATAjet 1000 B RP		
154211	Extension with standard nozzle (0°), 20 cm with nozzle set 1.6 RP for SATAjet 1000 B RP	
154252	Extension with diagonal spray nozzle (30°), 20 cm with nozzle set 1.6 RP for SATAjet 1000 B RP	
196162	Extension with rotary nozzle (360°), 20 cm with nozzle set 1.6 RP for SATAjet 1000 B RP, function exclusively with SATA BVD pressurized cup	
154294	Extension with angular head nozzle (90°), 20 cm with nozzle set 1.6 RP for SATAjet 1000 B RP	
178533	Extension with diagonal spray nozzle (30°), 40 cm with nozzle set 1.6 RP for SATAjet 1000 B RP	
185520	Extension with diagonal spray nozzle (30°), swivelling, 20 cm with nozzle set 1.6 RP for SATAjet 1000 B RP, preferably with BVD pressurised cup	

Further extensions are available upon request. Special lengths are supplied as modular systems.


All prices are recommended list prices. Errors, technical modifications and printing errors reserved.

## Accessories for SATA suction cup spray guns

### Adapters for the use of SATA RPS with suction cup kit

188318	RPS-Adapter No. 17 with QCC and connection G 1/4" (female thread) for SATAminijet 1000 H	
188292	RPS-Adapter No. 16 with QCC and connection G 3/8" (female thread) for SATAjet 1000 H	

### Suction cup kit for SATAminijet 1000 H RP/HVLP, SATAjet 1000 H RP

188482	RPS Suction cup kit for 0.3 l consisting of each 25 pins, suction hose and sieve	
188516	RPS Suction cup kit for 0.3 l consisting of each 50 pins, suction hose and sieve	
188490	RPS Suction cup kit for 0.6 l consisting of each 25 pins, suction hose and sieve	
188524	RPS Suction cup kit for 0.6 l consisting of each 50 pins, suction hose and sieve	
188508	RPS Suction cup kit for 0.9 l consisting of each 25 pins, suction hose and sieve	
188532	RPS Suction cup kit for 0.9 l consisting of each 50 pins, suction hose and sieve	

SATA RPS disposable cup systems see page 68.

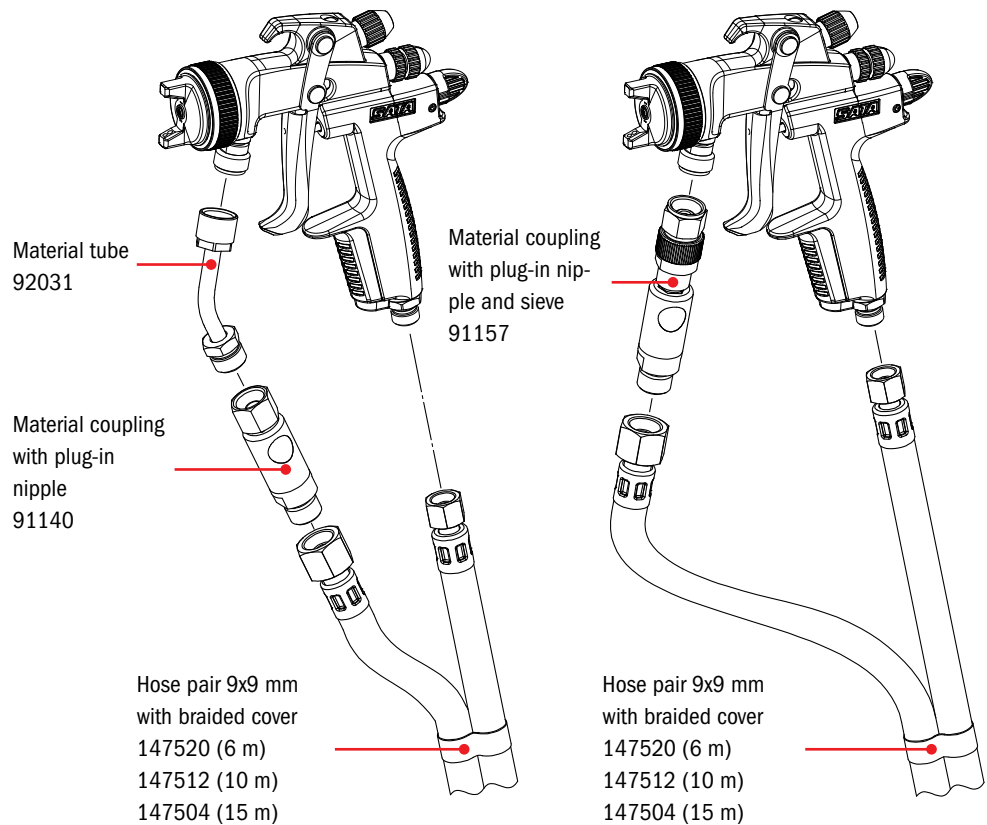
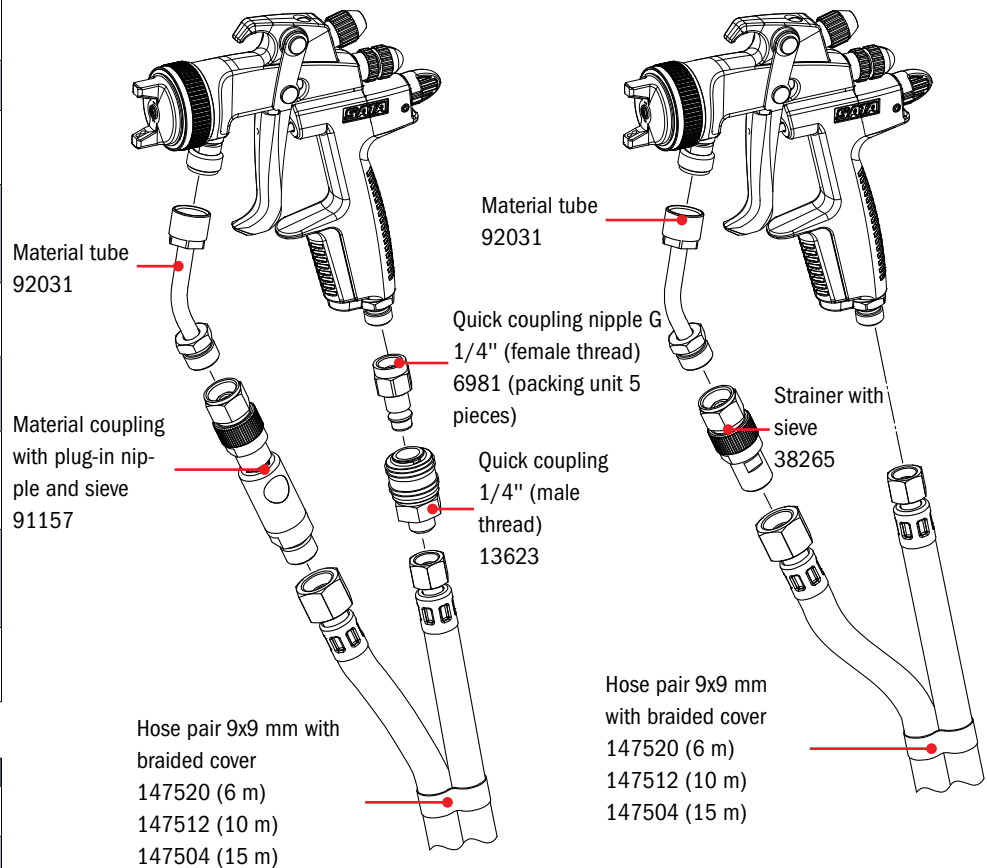
All prices are recommended list prices. Errors, technical modifications and printing errors reserved.

# Material and air connection SATAJet® 3000 K, 1000 K

Art. No./Descr.
6981 SATA quick coupling nipple G 1/4" (female thread) (packing unit 5 pieces)
13623 SATA quick coupling 1/4" (male thread)
38265 SATA paint strainer 60 msh, G 3/8" (female thread) and 3/8" (male thread)
91140 SATA material coupling 3/8" (male thread) for SATA pressure fed spray guns with plug-in nipple G 3/8" (female thread)
91157 SATA material coupling 3/8" (male thread) with plug-in nipple G 3/8" (female thread) and material strainer 60 msh
92031 SATA material tube G 3/8" (female thread) - 3/8" (male thread)
147504 SATA hose pair 9 x 9 mm, 15 m, with covering fabric netting, G 3/8" and G 1/2" (material), G 1/4" (air) (female thread)
147512 SATA hose pair 9 x 9 mm, 10 m, with covering fabric netting, G 3/8" and G 1/2" (material), G 1/4" (air) (female thread)
147520 SATA hose pair 9 x 9 mm, 6 m, with covering fabric netting, G 3/8" and G 1/2" (material), G 1/4" (air) (female thread)

## Spare sieves

Art. No./Descr.
12260 Sieve 60 msh (packing unit 4 pieces)
12278 Sieve, 100 msh (packing unit 4 pieces)
74856 Strainer kit: Sieve 200 msh (4 pcs.), strainer holder ( 2 pcs.), screw (1 pcs.)



All prices are recommended list prices. Errors, technical modifications and printing errors reserved.

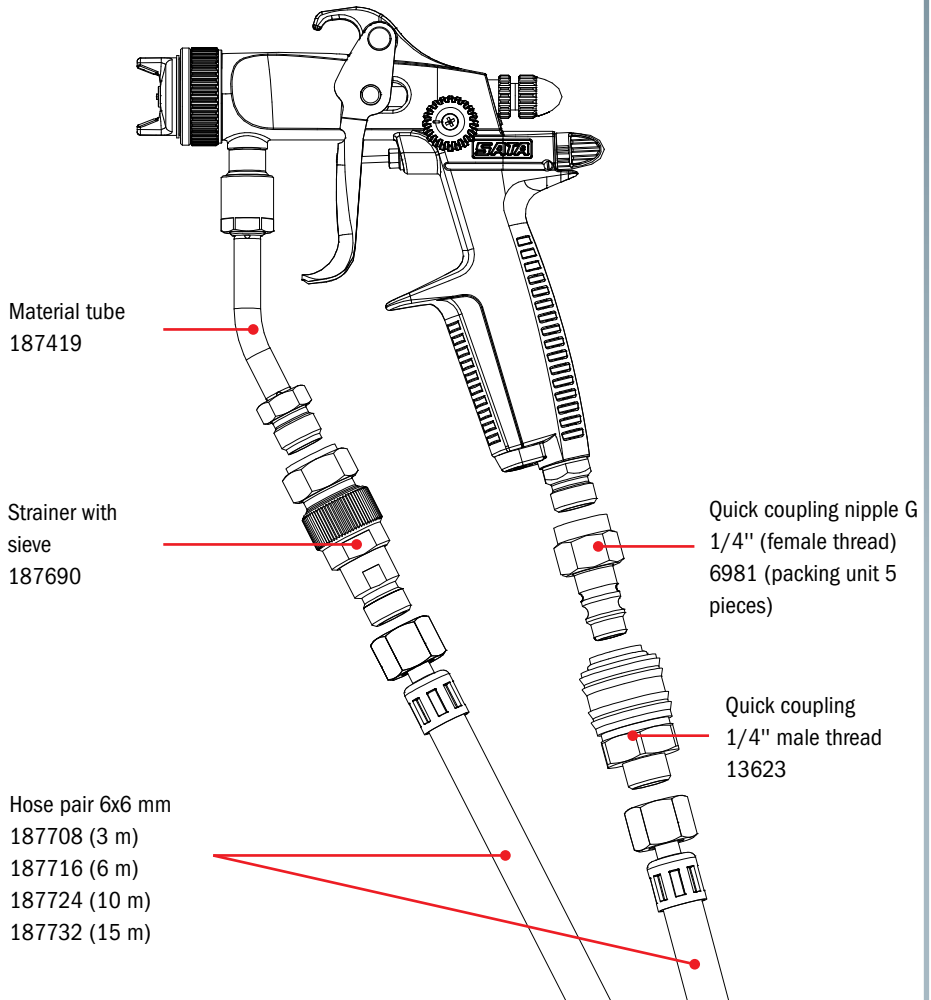
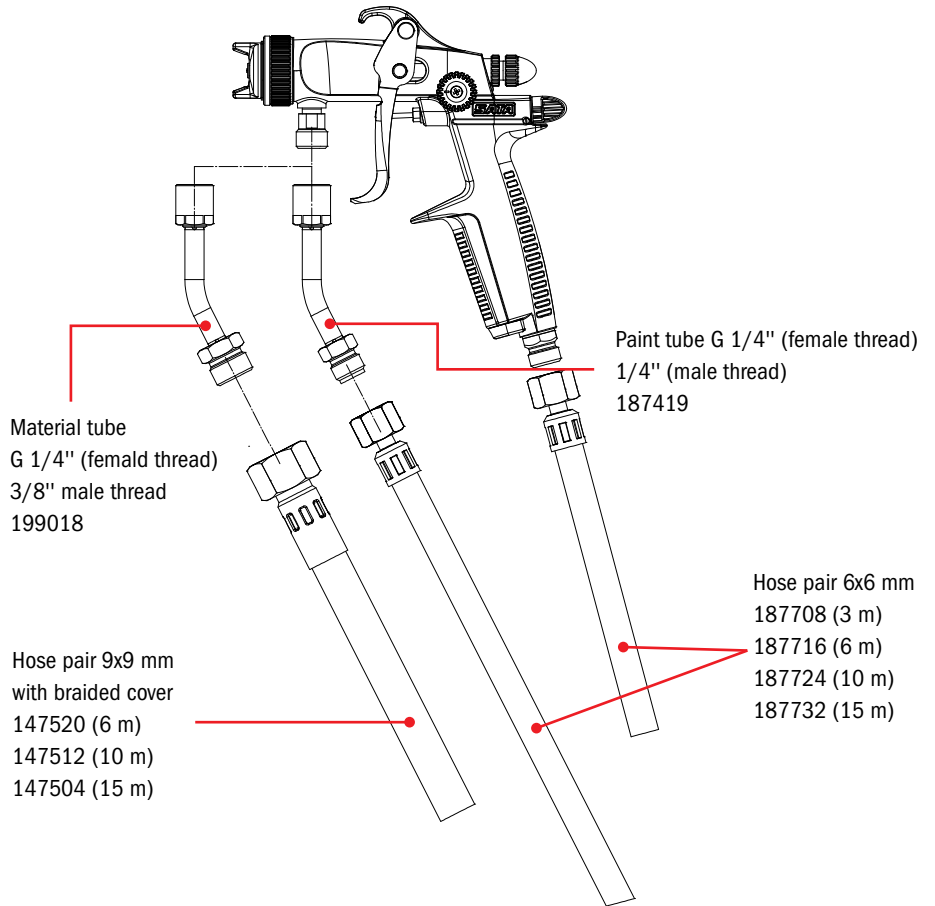
# Material and air connection SATAmijnjet® 1000 K

Art. No./Descr.
6981 SATA quick coupling nipple G 1/4" (female thread) (packing unit 5 pieces)
13623 SATA quick coupling 1/4" (male thread)
147504 SATA hose pair 9 x 9 mm, 15 m, with covering fabric netting, G 3/8" and G 1/2" (material), G 1/4" (air) (female thread)
147512 SATA hose pair 9 x 9 mm, 10 m, with covering fabric netting, G 3/8" and G 1/2" (material), G 1/4" (air) (female thread)
147520 SATA hose pair 9 x 9 mm, 6 m, with covering fabric netting, G 3/8" and G 1/2" (material), G 1/4" (air) (female thread)
187419 SATA paint tube G 1/4 female thread - 1/4" male thread
187690 SATA paint strainer 60 msh, 1/4" (male thread)
187708 SATA hose pair 6 x 6 mm, 3 m, G 1/4" (female thread) (material and air)
187716 SATA hose pair 6 x 6 mm, 6 m, G 1/4" and G 1/2" (material), G 1/4" (air) (female thread)
187724 SATA hose pair 6 x 6 mm, 10 m, G 1/4" and G 1/2" (material), G 1/4" (air) (female thread)
187732 SATA hose pair 6 x 6 mm, 15 m, G 1/4" and G 1/2" (material), G 1/4" (air) (female thread)
199018 SATA paint tube G 1/4" (female thread) - 3/8" (male thread)

## Spare sieves

Art. No./Descr.
12260 Sieve 60 msh (packing unit 4 pieces)
12278 Sieve, 100 msh (packing unit 4 pieces)
74856 Strainer kit: Sieve 200 msh (4 pcs.) strainer holder ( 2 pcs.), screw (1 pcs.)

All prices are recommended list prices. Errors, technical modifications and printing errors reserved.







# Nozzle Sets for Discontinued Gun Models

Nozzle sets of current models starting from page 12!

## SATAjet 3000 B RP (DIGITAL) | discontinuation in 2019

Nozzle	1,0	1,1	1,2	1,3	1,4	1,6	1,8	2,0	2,5
Art. No.	132357	158667	132365	132373	132381	132399	132407	132415	132423

## SATAjet 3000 B HVLP (DIGITAL) | discontinuation in 2019

Nozzle	1,0	1,2	WSB	1,3	1,4	1,5	1,7	1,9	2,2
Art. No.	132910	132928	132993	132936	132944	132951	132969	132977	132985

## SATAjet RP (DIGITAL 2) | discontinuation in 2017

Nozzle	1,0	1,2	1,3	1,4	1,6	1,8	2,0	2,5
Art. No.	29587	14902	14910	14936	14977	97998	69880	69898

## SATA LM 2000 B RP | discontinuation 2017

Nozzle	0,8	1,0	1,3	1,6	1,8	2,0	2,5	3,0	4,0	5,0
Art. No.	26690	26716	26724	26732	26740	26757	26765	26781		
Art. No.									26799	26807

## SATA LM 2000 B HVLP | discontinuation in 2017

Nozzle	1,4	1,7	1,9	2,1
Art. No.	30106	30643	30742	31047

## SATA KLC RP | discontinuation in 2018

Nozzle	1,3	1,6	NA	1,8	2,0
Art. No.	87973	87981	88005	96768	87999

## SATA KLC HVLP | discontinuation in 2018

Nozzle	1,4	1,7	1,9	2,1
Art. No.	32748	32755	32771	33415

## SATA LM 2000 K RP | discontinuation in 2017

Nozzle	0,8	1,0	1,3	1,6	1,8	2,0	2,5	3,0	4,0
Art. No.	26690	26716	26724	26732	26740	26757	26765	26781	

## SATA LM 2000 H RP | discontinuation in 2017

Nozzle	1,6	1,8	2,0
Art. No.	26732	26740	26757

All prices are recommended list prices. Errors, technical modifications and printing errors reserved.

# SATA adam 2, SATA adam 2 mini, SATA adam 2 U

## SATA adam 2, SATA adam 2 U

### Technical Data







Maximum operating pressure: 10.0 bar

Max. operating temperature: 60 °C







Display accuracy: +/- 0.05 bar





### Available versions

160846	SATA adam 2 >bar< for SATA spray guns except for SATAMinijet and SATAjet 5000 B	
211540	SATA adam 2 >bar< for SATAjet 5000 B	
160879	SATA adam 2 mini >bar< for SATAMinijet 4400, SATAMinijet 3000 B and SATAMinijet 1000 K/H	
195214	SATA adam 2 U (air micrometer with adam 2 display bar)	

### Accessories

160689	SATA adam 2 display "bar"	
160739	Battery kit for SATA adam 2	
160788	SATA adam 2 dock for SATA spray guns except for SATAMinijet and SATAjet 5000 B	
160796	SATA adam 2 dock (packing unit 2 pieces) for SATA spray guns except for SATAMinijet and SATAjet 5000 B	
211565	SATA adam 2 dock for SATAjet 5000 B	
211573	SATA adam 2 dock (packing unit 2 pieces) for SATAjet 5000 B	
160861	SATA adam 2 mini dock for SATAMinijet 3000 B, SATAMinijet 4400 B and SATAMinijet 1000 K	
195230	SATA adam 2 U dock (air micrometer 1/4" male thread and G 1/4" female thread with SATA dock)	

### Spare Parts






162164	Locking clip (packing unit 5 pieces) for SATA adam 2	
162172	O-ring (packing unit 2 pieces) for SATA adam 2	
162081	SATA dock protect (packing unit 5 pieces) for SATA adam 2	
195925	SATA dock with 1/8" (male thread)	
203117	Reducing piece 1/4" (male thread) and G 1/8" (female thread)	

All prices are recommended list prices. Errors, technical modifications and printing errors reserved.




# Digital/Analogue pressure display with SATA

For more information on SATA pressure measuring devices, please contact your SATA dealer or visit [www.sata.com](http://www.sata.com)



		SATAjet 5000 B PHASER / SATAjet 5000 B	SATAjet 4000 B	SATAjet 3000 B	SATAjet 1000 B	SATAjet 100 B	SATAjet B, SATAjet GR	SATAmiinet 4400 B, SATAmiinet 3000 B, SATAmiinet 4	SATA dry jet	Competitor spray guns	Retrofitting micrometer with pressure gauge #27771	Retrofitting atomisation air control gauge #4002	Filters and systems with G 1/8" female thread
	<b>211540</b> SATA adam 2	X	-	-	-	-	-	-	-	-	-	-	-
	<b>160846</b> SATA adam 2	-	X	X	X	X	X	-	-	-	-	-	-
	<b>160879</b> SATA adam 2 mini	-	-	-	-	-	-	X	-	-	-	-	-
	<b>195214</b> SATA adam 2 U	X	X	X	X	X	X	X	X	X	-	-	-
	<b>195925</b> SATA dock with 1/8" male thread	-	-	-	-	-	-	-	-	-	X	X	X

## Pressure manometer and micrometer

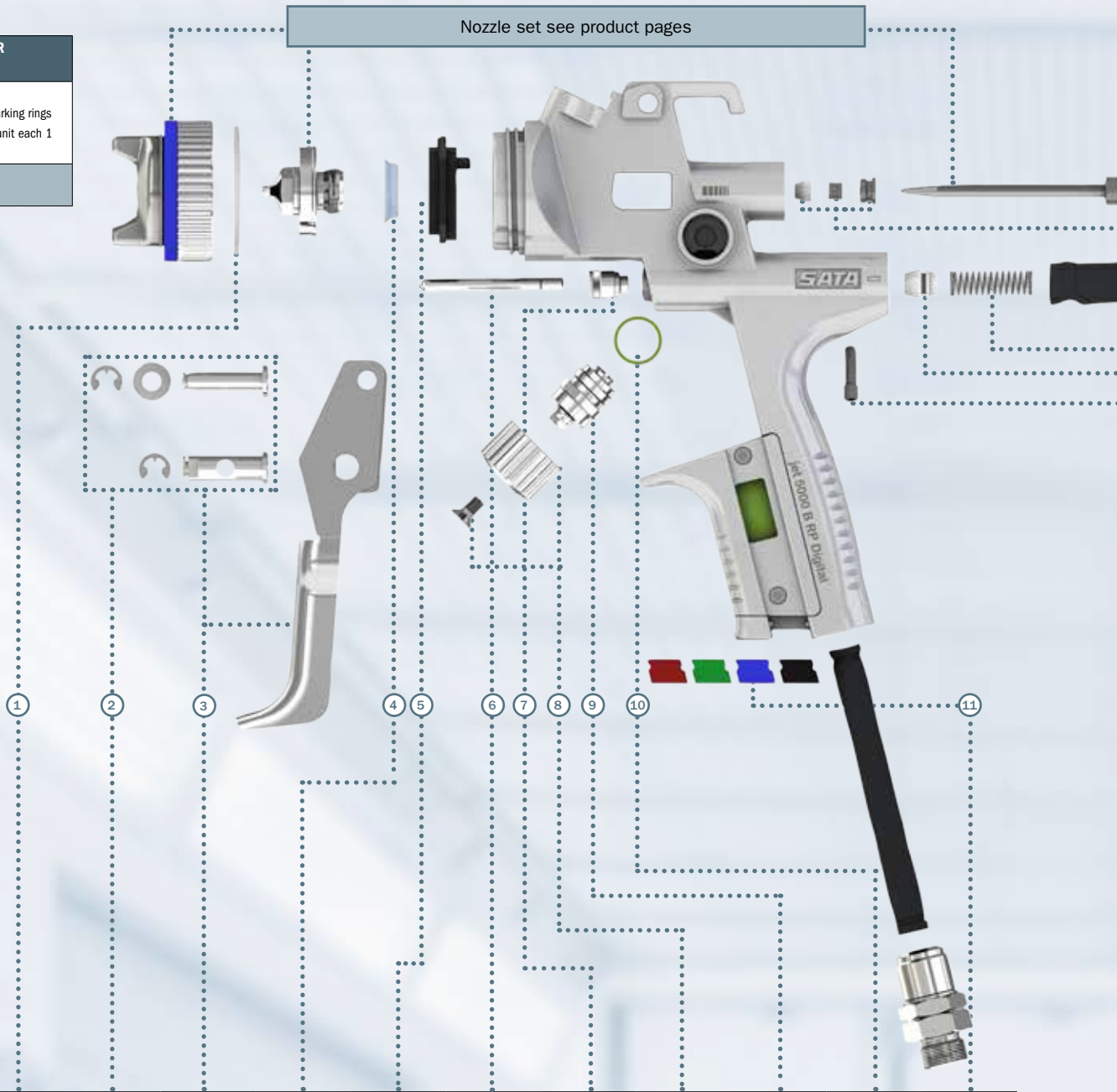
27771	SATA air micrometer with gauge, 1/4" (male thread and G 1/4" (female thread)	
4002	Spray pressure control unit	
9860	SATA air micrometer 0-845, 1/4" (male thread) and G 1/4" (female thread)	

All prices are recommended list prices. Errors, technical modifications and printing errors reserved.

# Spare Parts for SATA Spray Guns with Gravity Flow Cup I

**NEW**

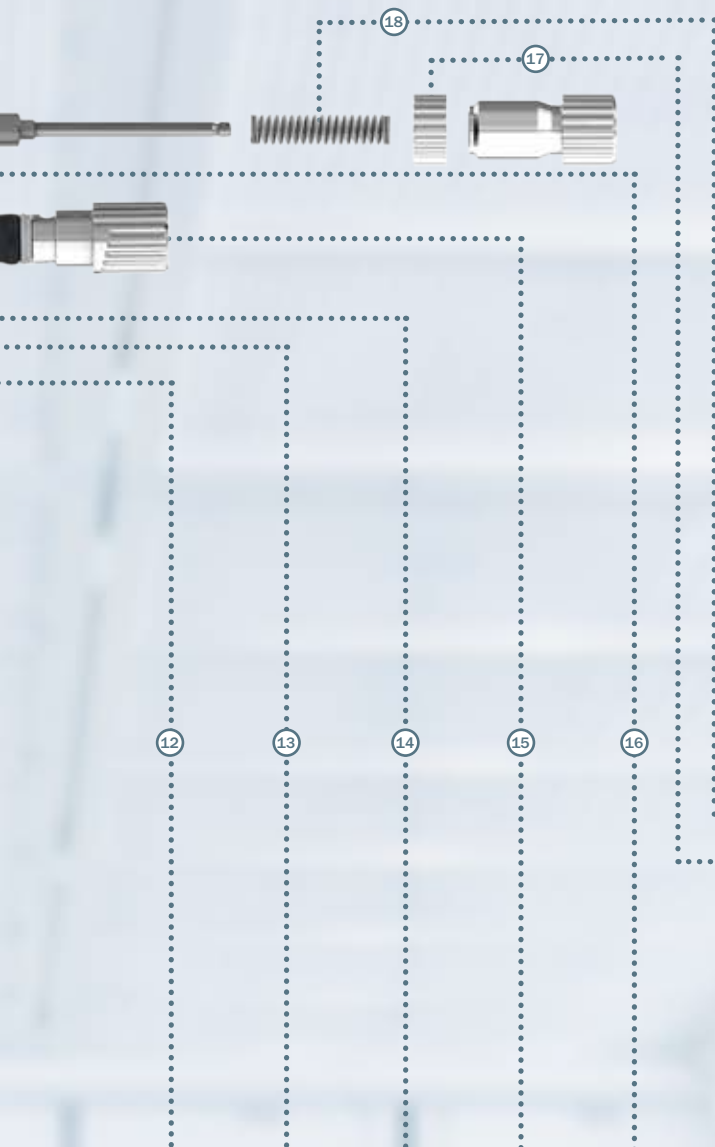
**SATAjet 5000 B PHASER**  
 Art. No./Descr.  
 1006669  
 Kit consisting of coloured marking rings  
 (blue, green, black, packing unit each 1  
 piece)  
 1006734  
 Trigger fixing clip



	1	2	3	4	5	6	7	8	9	10	11	
<b>Description</b>	Seal ring	Trigger sleeve kit	Trigger kit	Seal element fluid tip	Air distribution ring	Air piston rod	Seal retainer	Control knob	Spindle with seal	Spindle seal	CCS clips	
<b>Gun type</b>	5000 B PHASER	-	1006643					1006768				
	211508				211425				213025		211409	
	5000 B		211458	211433		86843		211482				
	4000 B	172429	166009	165977	140582	165951	133942	166033	165944	133934	165928	
	100 B											
	1000 B	-	133926	130492		143230	91959		140574	89771		6395
	minijet 3000 B			-	126276	-	127399	44834	126292	124164*	125351	-
minijet 4400 B	200907	199463	198473	199455	197467	198408	199414	200162	198549	199471	197418	

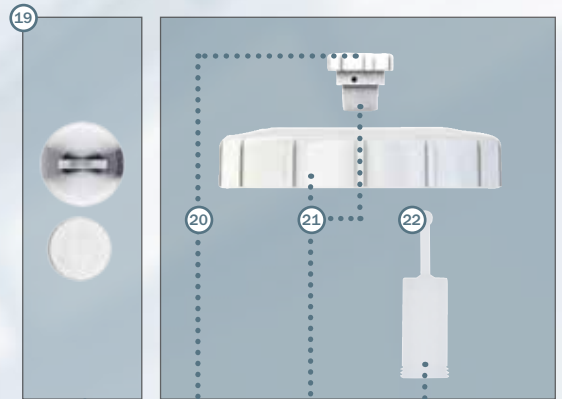
\* screw #44735 to be ordered separately

# Spare Parts for SATA Spray Guns with Gravity Flow Cup II



Air connection piece						
Spray gun	Standard PHASER	Standard	Standard swivel joint	DIGITAL	DIGITAL swivel joint with seal retainer and sleeve	Seal retainer with sleeve*
5000 B PHASER	1006932	-	-	-	-	-
5000 B	-	134098	19745	211490	211516	211441
4000 B	-			166116	203422	165985
100 B	-	133983	16162	-	-	-
1000 B	-			-	-	-
minijet 3000 B	-			-	-	-
minijet 4400 B	-			-	-	-

\* only for DIGITAL with swivel joint



\*\*\* counter nut #44644 to be ordered separately

\*\* in a set

12	13	14	15	16	17	18	19	20	21	22	Description
Locking screw	Air piston head	Pressure spring air piston	Air micrometer (air flow control knob)	Paint needle packing	Material flow control	Pressure spring paint needle	Battery kit	Anti-drip device	Screw-on lid	Strainer 300µm	
211391			1006742		1006750		-				5000 B PHASER
			211466		211474		213769			3988 (10x)	5000 B
133967	133991	133959**	166017	15438	166025	133959**	165993	1826	49395	76018 (100x)	4000 B
133967			139964		139188					76026 (500x)	100 B
											1000 B
64972	44826	201467**	125187	79905	125146***	201467**	-	95489	95448	-	minijet 3000 B
199430	199448		198523	199414	199406			197558	199075	see above	









Gun type

# Accessories for Spray Guns Part I

Air connection		
6981	SATA quick coupling nipple G 1/4" (female thread) (packing unit 5 pieces)	
99895	Flexible quick coupling nipple G 1/4" (female thread)	
Storage		
1750	Spray gun holder, complete	
9886	SATA gravity gun holder for gravity cup spray guns	
40188	SATA spray gun display holder	
192195	SATA universal spray gun and hose holder for all SATA spray guns	
69328	SATA spray gun holder for SATAminijet 4400 B, minijet 3000 B, jet 20 B	
134916	Triple spray gun holder for wall mounting	
134882	Spray gun holder with strainer holder	
134932	Insert for spray gun holder with strainer holder for SATAminijet	









All prices are recommended list prices. Errors, technical modifications and printing errors reserved.

# Accessories for Spray Guns Part II

Quality Control		
161596	SATA cert, with archive, spray pattern block, single sheet holder and distance marker	
161646	spray pattern blocks with 25 sheets (packing unit 2 pieces) for SATA cert	
161661	Distance marker for SATA cert	
Other Accessories		
3988	Paint strainer, 300 µm (packing unit 10 pieces) for SATA spray guns except for SATAminijet 3000 B	
76018	Paint strainer, 300 µm (packing unit 100 pieces)	
76026	Paint strainer, 300 µm (packing unit 500 pieces)	
9845	SATA viscosity cup 4.0 mm, flow time tolerance < 1 sec.	
9852	SATA viscosity cup 4.0 mm, flow time tolerance < 1.5 sec.	
59675	SATA dosenboy, to cut out can lids from cans up to 36 cm height	
59659	Wheel for SATA DOSENBOY	
59667	Blade for SATA dosenboy	
16477	SATA compressed air-driven hand agitator	
165506	Air cap protector, red (packing unit 5 pieces) for SATAjet 5000 B, 4000 B and 3000 B	
165514	Air cap protector, red (packing unit 5 pieces) for SATAjet 100 B and jet 1000 B	
165522	Air cap protector, red (packing unit 5 pieces) for SATAminijet 3000 B / SATAminijet 1000 B	
203331	Air cap protector, red (packing unit 5 pieces) for SATAminijet 4400 B	
133322	Painter's gloves, pack unit 100 pieces	

All prices are recommended list prices. Errors, technical modifications and printing errors reserved.

# Spray gun Cleaning and Maintenance Part I

Cleaning and Maintenance		
60095	SATAclean wet holding tray for 3 spray guns	
Cleaning accessories		
162628	SATA care set spray gun care bag containing 1 large cleaning brush, 5 medium-sized cleaning brushes, 5 double-sided cleaning brushes, 12 nozzle cleaning needles, 1 tube high performance grease, silicone- and acid-free, 100 g	
48173	SATA high performance grease, silicone- and acid-free, 100 ml for spray guns	
9894	SATA nozzle cleaning needles (pack of 36 pieces, packed to 12 pieces each)	
62174	SATA nozzle cleaning needles (pack of 12 pieces)	
64030	SATA cleaning kit with 2 cleaning brushes, medium and 12 nozzle cleaning needles	
6007	Cleaning brush (packing unit 10 pieces) for spray guns	
9209	Cleaning brush, double-sided (pack of 10 pieces) for spray guns	
158840	Cleaning brush, large (packing unit 5 pieces) for spray guns	
29280	Cleaning brush (packing unit 10 pieces) for suction pipe of suction cup spray guns	

Please also look for the [SATA cleaning devices on page 114](#).

## Disassembly of nozzle set



1 First remove paint needle.



2 Followed by the cap.



3 And finally, unscrew fluid tip with the ring spanner integrated in the universal spanner.

## Cleaning and drying



1 Clean the material passage



2 Clean the spray gun body



3 Dry with blow gun

When cleaning the spray gun manually, please ensure not to use brushes made of metal wires which could possibly damage the spray gun. Furthermore, please make sure that no cleaning fluid ends up in the air passages of the spray gun body.

All prices are recommended list prices. Errors, technical modifications and printing errors reserved.



# Spray gun Cleaning and Maintenance Part II

## Cleaning of the nozzle set



When cleaning the nozzle components, please make sure that metal parts of brushes do not damage the nozzle set. Ideally, please use specially designed SATA cleaning brushes and SATA nozzle cleaning needles to ensure optimum cleaning and maintenance of the nozzle set. Please watch our video at [www.sata.com/TV](http://www.sata.com/TV) concerning "Cleaning and Maintenance of Spray Guns". Or simply order the cleaning brochure (Art. No. 158162) or the cleaning poster (Art. No. 168070) free of charge!  
[www.sata.com/firstaid](http://www.sata.com/firstaid)

## Assembly and maintenance



Assembly of the fluid tip



Tighten fluid tip by hand using the universal spanner.



Assembly of the air cap



Grease paint needle around the needle packing area



Insert paint needle



Grease and insert paint needle spring



Grease thread of material flow control screw



Install material flow control screw



Grease visible part of air piston rod

All prices are recommended list prices. Errors, technical modifications and printing errors reserved.



# Cup Systems



# SATA® RPS® Disposable Cup System



## SATA RPS

Suitable for all paint materials! Please observe the recommendations of the paint manufacturers to choose the correct sieves (flat sieve 125 µm or plug-in sieve 200 µm).



**Old article numbers will presumably be valid until beginning of 2017. The new RPS boxes will be available once the RPS boxes in the current design will have been completely sold. While stocks last.**

### SATA RPS 0.3 I minijet for SATAminijet 3000 B

OLD: Packing unit 60 pieces	<b>NEW: Packing unit 60 pieces</b>		
118299	<b>1010553</b>	SATA RPS 0.3 I minijet, 125 µm flat sieve	
118414	<b>1010561</b>	SATA RPS 0.3 I minijet, 200 µm plug-in sieve	

### SATA RPS 0.3 I Standard

OLD: Packing unit 60 pieces	<b>NEW: Packing unit 40 pieces</b>	<b>NEW: Packing unit 100 pieces</b>	
118281	<b>1010389</b>	<b>1010420</b>	SATA RPS 0.3 I Standard, 125 µm flat sieve
118406	<b>1010397</b>	<b>1010404</b>	SATA RPS 0. I Standard, 200 µm plug-in sieve

### SATA RPS 0.6 I

OLD: Packing unit 57 pieces	<b>NEW: Packing unit 60 pieces</b>		
125062	<b>1010438</b>	SATA RPS 0. I, 125 µm flat sieve	
125070	<b>1010488</b>	SATA RPS 0. I, 200 µm plug-in sieve	

### SATA RPS 0.9 I

OLD: Packing unit 40 pieces	<b>NEW: Packing unit 40 pieces</b>		
118471	<b>1011973</b>	SATA RPS 0.9 I, 125 µm flat sieve	
118489	<b>1011981</b>	SATA RPS 0.9 I, 200 µm plug-in sieve	

### SATA RPS 0.6 I UV

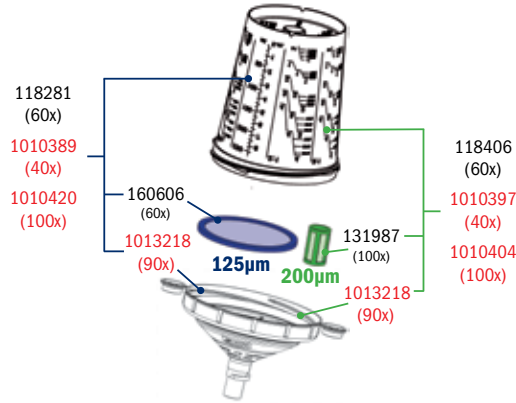
OLD: Packing unit 57 pieces	<b>NEW: Packing unit 60 pieces</b>		
139451	<b>1010496</b>	SATA RPS UV 0.6 I, 125 µm flat sieve	
139469	<b>1010503</b>	SATA RPS UV 0.6 I, 200 µm plug-in sieve	

All prices are recommended list prices. Errors, technical modifications and printing errors reserved.

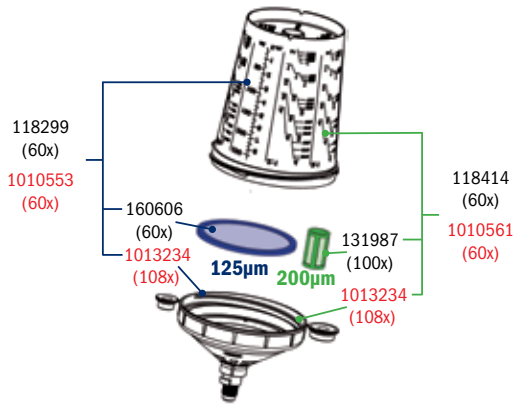
# Spare Parts SATA® RPS®

Art. No./Descr.
1013226 Spare lid for SATA RPS 0.6 l / 0.9 l (packing unit 80 pieces)
131979 Spare flat sieve 125µm, pastel blue (packing unit 100 pieces)
131987 Spare plug-in sieve 200 µm, pastel green (packing unit 100 pieces)
160606 Spare flat sieve 125 µm, pastel blue (packing unit 60 pieces)
1013218 Spare lid for SATA RPS 0.3 l Standard (packing unit 90 pieces)
1013234 Spare lid for SATA RPS 0.3 l minijet (packing unit 108 pieces)

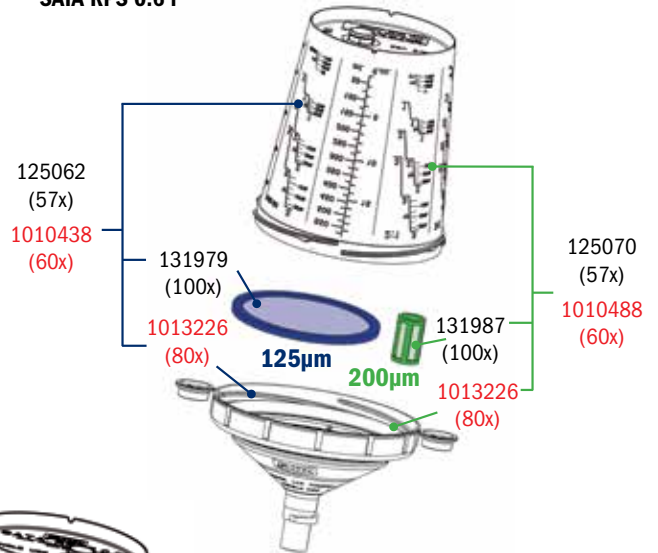
## SATA RPS 0.3 l Standard



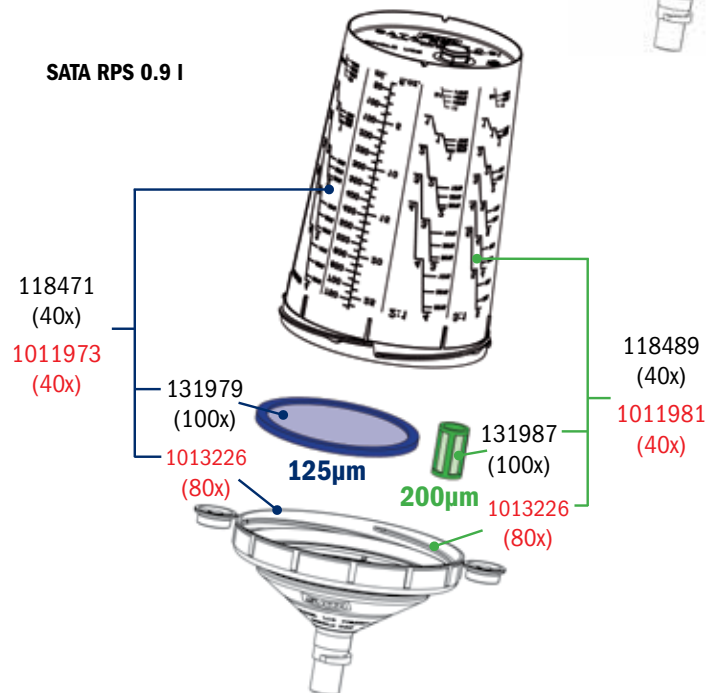
## SATA RPS 0.3 l minijet (for SATAminijet 3000 B)



## SATA RPS 0.6 l




## SATA RPS 0.9 l




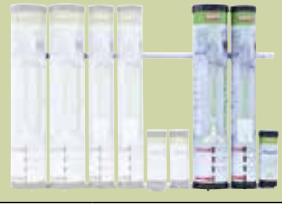


All prices are recommended list prices. Errors, technical modifications and printing errors reserved.

# SATA® RPS® Accessories





## SATA RPS dispenser System

Technical Data		
	SATA RPS wall dispenser	W x H x D: 80 x 100 x 18 cm
	SATA RPS extension kit	W x H x D: 40 (120) x 100 x 18 cm
	SATA RPS rotawall adapter kit	B: Ø 65 cm; H: 136 cm
	SATA RPS rotafloor adapter kit	B: Ø 65 cm H max.: 210 cm; H min.: 123 cm

## Versions

195784	SATA RPS wall dispenser, standard version: 2x cup tubes / 2x lid tubes / 2x sieve tubes and 2x aluminium slats	
195776	SATA RPS extension kit, add-on kit: 1x cup tube / 1x lid tube / 1x sieve tube for flat sieves, with aluminium slat	
196543	SATA RPS rotawall adapter kit: carousel ground spindle and wall holder (top and bottom)	 * Tubes are not included in the scope of delivery.
196550 + 197723 (floor plate)	SATA RPS rotafloor adapter kit: carousel ground spindle, steel pipe	 * Tubes are not included in the scope of delivery.

## Accessories for SATA RPS

144840	SATA RPS depot to store RPS boxes	
127852	Spray bottle 1.0 l	
127860	Pump-spray cleaning bottle, not suitable for thinner	
165399	SATA RPS mix lid, flat lid (packing unit 50 pieces) allows stacking of RPS 0.6 l and 0.9 l cups	
117051	Shaker ring for SATA RPS 0.6l / 0.9l	

All prices are recommended list prices. Errors, technical modifications and printing errors reserved.

**Accessories for SATA RPS**

213629	Fixing kit for tube adhesive pad, adhesive foil, holder for adhesive pad for SATA RPS dispenser	
213637	Cup holder for tube for SATA RPS dispenser	
213645	Absorption brush for lid standard for SATA RPS dispenser	
213652	Absorption brush for lid mini for SATA RPS dispenser	
213660	Dispenser tube for lids for SATA RPS dispenser	
213678	Cardboard tube for cups for SATA RPS dispenser	
213686	Tube for plug-in and flat sieves for SATA RPS dispenser	
215483	Fixing rivet (packing unit 4 pieces) for absorption brush for SATA RPS dispenser	
215616	Spare part flat sieve dispenser bottom (1x) for SATA RPS dispenser	
1008285	Adapter for lid dispenser for SATA RPS dispenser	
1008227	Dispenser flab for plug-in sieve for SATA RPS dispenser	
1008219	Dispenser for plug-in sieve for SATA RPS dispenser	

All prices are recommended list prices. Errors, technical modifications and printing errors reserved.









# Gravity flow cup for spray guns

Gun type		QCC/ w/o connection thread, suitable for: SATAjet 5000 B, jet 4000 B, jet 3000 B, jet 2000, jet 1000 B, jet 100 B, jet RP, SATAmijet 4400 B	QCC/ with connection thread, suitable for: SATAjet 2000, jet RP, KLC, LM 2000 B, jet 90-2	SATAjet B, jet GR, jet NR 95	SATAmijet 3000 B, minijet 1 - 4, jet 20 B
Capacity	Art. No.				
<b>PVC reusable cup</b>					
0,125 l	197541				
0,125 l	125443				
0,3 l	48587				
0,3 l	120675				
0,3 l	128470				
0,6 l	49379				
0,6 l	27243		1004960		
<b>Disposable cup</b>					
0,3 l	1010553				each 60 x
0,3 l	1010561				each 60 x
0,3 l	1010389	each 40 x		⊕	
0,3 l	1010397	each 40 x		⊕	
0,3 l	1010420	each 100 x		⊕	
0,3 l	1010404	each 100 x		⊕	
0,6 l	1010438	each 60 x		⊕	⊕
0,6 l	1010488	each 60 x		⊕	⊕
0,9 l	1011973	each 40 x		⊕	⊕
0,9 l	1011981	each 40 x		⊕	⊕







All prices are recommended list prices. Errors, technical modifications and printing errors reserved.



## Gravity flow cup for spray guns

Gun type		QCC/ w/o connection thread, suitable for: SATAjet 5000 B, jet 4000 B, jet 3000 B, jet 2000, jet 1000 B, jet 100 B, jet RP, SATAminijet 4400 B		QCC/ with connection thread, suitable for: SATAjet 2000, jet RP, KLC, LM 2000 B, jet 90-2		SATAjet B, jet GR, jet NR 95		SATAminijet 3000 B, minijet 1 - 4, jet 20 B	
Capacity	Art. No.								
<b>aluminium reusable cup</b>									
0,15 l	198911								
0,15 l	125948								
0,75 l	6601								
0,75 l	137729			1013432 					
1,0 l	46631								
1,0 l	96685			1013440 					
	71555	Plastic lid (packing unit 3 pieces) for 0.75 l and 1.0 l reusable aluminium cup							

## RPS® Adapters for SATA Spray Guns
















Adapters with QCC for SATA spray guns without QCC for a quick change of SATA RPS 0.9 l and 0.6 l and 0.3 l "Standard"		SATA									
		SATAjet B / GR	SATAjet H / SATAjet 1000 H	SATAminijet 2, 3, 4, SATAminijet 3000, SATAjet 20 B	SATAminijet 1000 H	SATAjet 2000 HVLP without QCC	SATAjet RP without QCC	SATA LM 2000 HVLP/RP	SATA KLC HVLP/RP/KLC P	SATAjet 90	SATAjet B NR 92 HVLP NR 95 HVLP
	125211 (1) M 16 x 1.5 female thread	X								X	
	125237 (2) M 15 x 1.5 male thread					X	X	X	X		
	133595 (7) 12 x 1.5 male thread										X
	135798 (10) M 10 x 1 male thread			X							
	188292 (16) G 3/8 female thread		X								
	188318 (17) G 1/4 female thread				X						

(x) Adapter numbers

All prices are recommended list prices. Errors, technical modifications and printing errors reserved.

# RPS® Adapters for NON SATA GUNS

Adapters with QCC for competitor spray guns for a quick change of SATA RPS 0.9 l and 0.6 l and 0.3 l "Standard"

		DeVilbiss				IWATA			Walcom	Kremlin	Graco	Optima	Sharpe	Sagola	Eminent	Asturo	Aigunsa	Dux				
		PRI, GTI, GFP, GFV, GFRV 510	SRI	Starting Line HVP Spray Gun	Starting Line Mini Spray Gun	W 400, WR 400, LPA 94, VVL Primer Gun, LPH 400	W 300, LPH 300, LS 400 Supernoia, WS 400 Supernoia	W 100, LPH 100	LPH 80	FX GEO, FX HVP	M 21 G	3M PPS	Optima 800, 900	Finex FX 300	Platinum, Titanium	475 Mini-Gun	403 G, 433 G, 434 G, 444 G, 450 G, 4100 G, 4200 G, 4300 G Extreme	4400 G Extreme, 4500 G Extreme	E13	OM Green	AZ10 HE	Gravity flow cup spray gun
	125211 (1) M 16 x 1.5 female thread					X																
	125252 (3) 3/8" male thread	X																				
	125278 (4) 1/4" male thread					X												X			X	
	125294 (5) M 12 x 1 male thread								X											X		
	126326 (6) 3/8" male thread									X												
	133595 (7) 12 x 1.5 male thread										X						X					X
	133827 (8) G 3/8" female thread											X	X									
	135111 (9) NPSF 3/8" - 18 male thread													X								
	135798 (10) M 10 x 1 male thread														X							
	150136 (13) M 15 x 1.5 male thread			X																		
	150151 (14) M 11 x 1 male thread				X																	
	164608 (15) 7/16" - 14 UNC male thread		X																			
	188664 (18) M 18 x 1.5 male thread																X					
	193276 (19) 1/8" male thread							X														
	215079 (20) 1/4" male thread									X												

(x) Adapter numbers

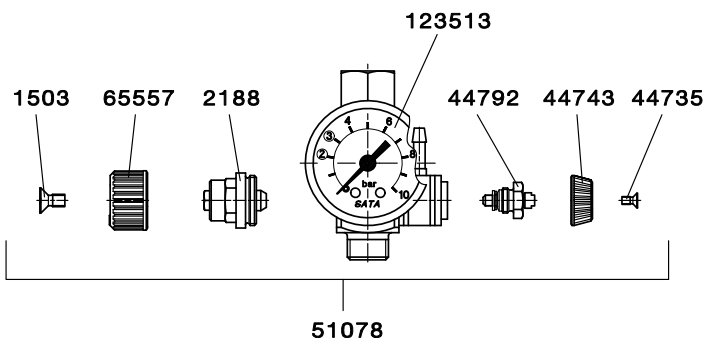
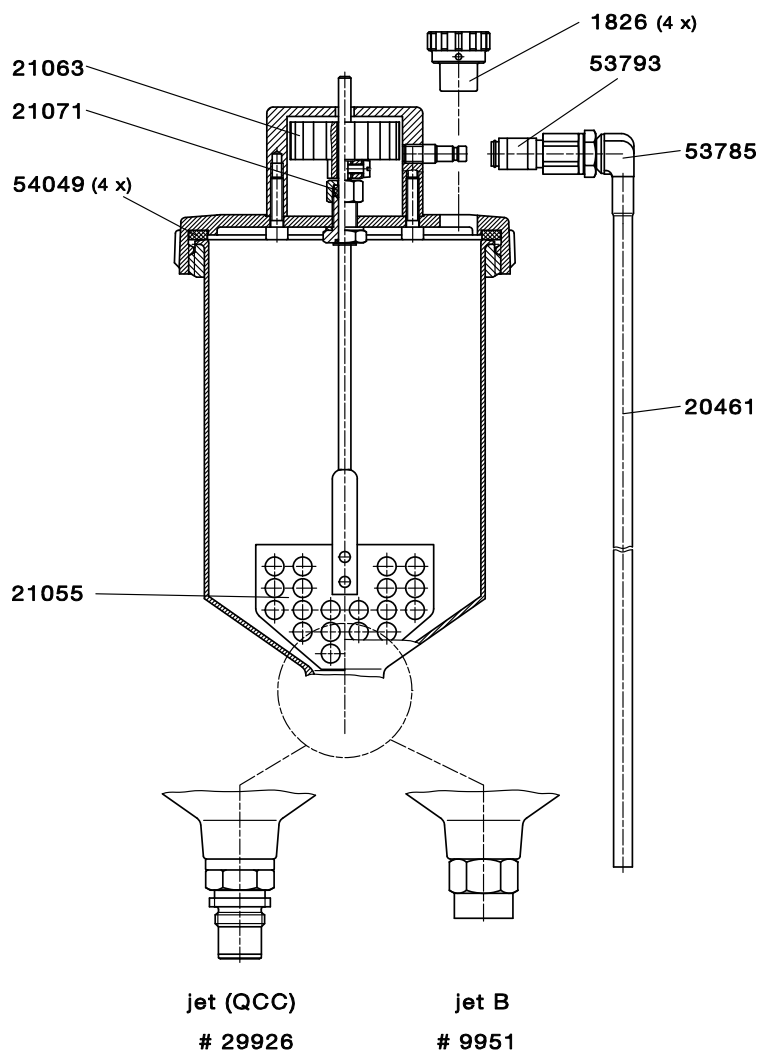
All prices are recommended list prices. Errors, technical modifications and printing errors reserved.

# SATA® Agitator Cup

SATA agitator cup	
9951	SATA agitator-cup for SATAjet B and GR/B-92 (supplementary equipment)
29926	SATA agitator cup, conversion kit for SATAjet 5000 B, 4000 B, jet 3000 B, jet 2000, jet RP, jet 1000 B, LM 2000 B




Art. No./Descr.
1503 Countersunk screw M4 x 8 DIN 965, stainless steel, for micrometer und round/flat spray control
1826 Anti-drip device (packing unit 4 pieces)
2188 Spindle
9951 SATA agitator-cup for SATAjet B and GR/B-92 (supplementary equipment)
20461 Plastic air hose for BVD and agitator cup
21055 Agitating vane, cpl.
21063 Driving wing, cpl. with screw
21071 Gasket agitating vane, agitator cup
29926 SATA agitator cup, conversion kit
44735 Countersunk screw M 2.5 x 5, VA
44743 Control knob
44792 Spindle complete for SATAmijet
53785 Angle screw socket, LCN-1/8-PL-4, f. SATA NAD and BVD
53793 Coupling with G 1/8" (female thread)
54049 Sealing ring (packing unit 4 pieces)
65557 Control knob



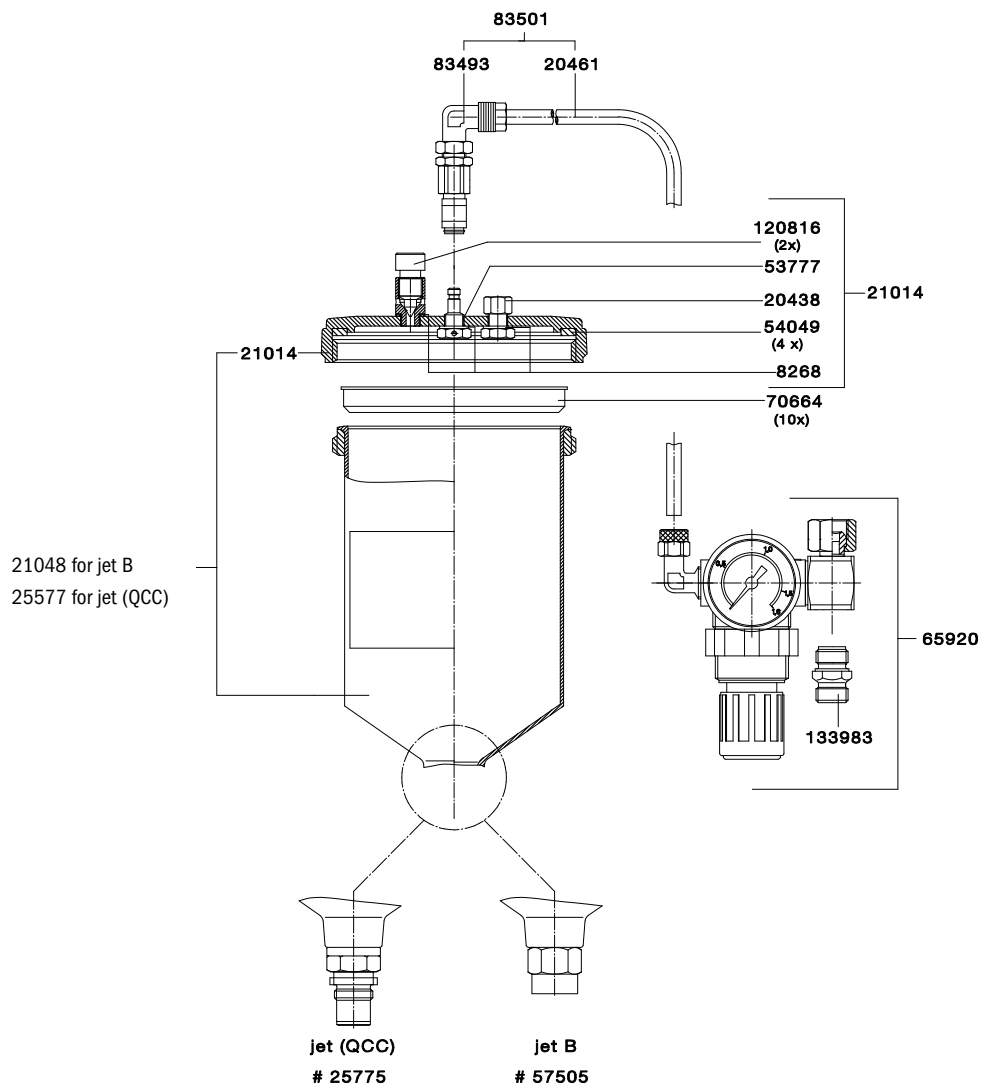
All prices are recommended list prices. Errors, technical modifications and printing errors reserved.

# SATA® BVD™

## SATA BVD adaptation kit

25775	SATA BVD conversion kit for SATAjet 5000 B, 4000 B, jet 3000 B, jet 2000, jet RP, jet 1000 B, LM 2000 B	
57505	SATA BVD extension-set for SATAjet B and GR/B-92	
22442	SATAjet B nozzle 1.4E, without cup	
73254	Repair kit for control fitting spray master and BVD	

Art. No./Descr.	
8268	Sealing ring
20438	Safety pressure relief valve BVD
20461	Plastic air hose for BVD and agitator cup
21014	Aluminium lid, cpl.
21048	Pressurised cup with lid
25577	Pressurised cup with lid
53777*	Air connection for aluminium lid
54049	Sealing ring (packing unit 4 pieces)
65920	Control fittings, complete, for BVD pressurised cup connection kit (GR and LM)
70664	Anti-drip device (packing unit 10 pieces)
83493	Connection for pressurised cup, cpl.
83501	Air hose cpl. w. pressurised cup connection, for SATA Spray-Master
120816	Pressure release screw (packing unit 2 pieces)
133983	Air connection piece 1/4" male thread
* please also order 8268	



All prices are recommended list prices. Errors, technical modifications and printing errors reserved.

# Breathing Protection



# Breathing Protection without Activated Charcoal Belt Unit



**SATA air vision 5000 set**  
Art. No. 213819

**SATA air regulator set**  
Art. No. 1000108

**SATA air vision 5000 respirator hood**  
Art. No. 1000249

**SATA air regulator belt**  
Art. No. 1000215

**SATA air regulator**  
Art. No. 1000190



**Compressed air connection (hood)**

**Gun air hose connection**

**Connection for safety compressed air hose (from the wall-mounted filter regulation unit)**

Accessories:  
**SATA air humidifier**  
Art. No. 1000299



Accessories:  
**SATA air warmer**  
Art. No. 1007005



Accessories:  
**SATA air cooler**  
Art. No. 1006982



## Recommended accessories

<p><b>SATA air humidifier</b> Breathing air humidification for a comfortable breathing climate Art. No. 1000299</p>	
<p><b>SATA air warmer</b> available 1st quarter 2017 Art. No. 1007005</p>	
<p><b>SATA air cooler</b> available 1st quarter 2017 Art. No. 1006982</p>	
<p><b>Safety compressed air hose</b> crush and kink resistant, 6 m Art. No. 49080</p>	
<p><b>Gun air hose</b> 9 mm inner diameter, 1.2 m to connect a spray gun to the belt unit Art. No. 13870</p>	

# Breathing Protection with Activated Charcoal Belt Unit



**SATA air vision 5000 carbon set**  
Art. No. 1000124

**SATA air carbon regulator set**  
Art. No. 1000059

Compressed air-supplied respirator hood to combine with double-stage compressed air filters fixed to the wall, e.g. SATA filter 444 **without** integrated activated charcoal filter stage.

**SATA air vision 5000 respirator hood**  
Art. No. 1000249



**SATA air regulator belt**  
Art. No. 1000215



**SATA air carbon regulator**  
Art. No. 1000166



**Compressed air connection (hood)**

**Gun air hose connection**

**Connection for safety compressed air hose (from the wall-mounted filter regulation unit)**

Accessories:  
**SATA air warmer carbon**  
Art. No. 1000132



Accessories:  
**SATA air humidifier**  
Art. No. 1000299



## Recommended accessories

<p><b>SATA air humidifier</b> Breathing air humidification for a comfortable breathing climate Art. No. 1000299</p>	
<p><b>SATA air warmer carbon for SATA air carbon regulator</b> Multi-stage adjustable breathing air warmer Art. No. 1000132</p>	
<p><b>Safety compressed air hose</b> crush and kink resistant, 6 m Art. No. 49080</p>	
<p><b>Gun air hose</b> 9 mm inner diameter, 1.2 m to connect a spray gun to the belt unit Art. No. 13870</p>	
<p><b>Activated charcoal filter</b> for SATA air carbon regulator Art. No. 218206</p>	
<p><b>SATA air warmer</b> available 1st quarter 2017 Art. No. 1007005</p>	
<p><b>SATA air cooler</b> available 1st quarter 2017 Art. No. 1006982</p>	

Accessories:  
**SATA air warmer**  
Art. No. 1007005






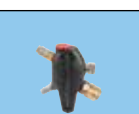

Accessories:  
**SATA air cooler**  
Art. No. 1006982













# SATA® air vision™ 5000

## SATA air vision 5000

<b>Technical Data</b>	Required operating pressure without spray gun: 2.5 bar – 3,0 bar
	Required operating pressure with spray gun (connected with 1.2 m gun hose): 4.0 bar – 6,0 bar
	Maximum operating pressure: 10.0 bar
	Required minimum air volume flow: 150 NI/min
	Maximum air volume flow (at 6 bar, air distributor fully opened): 740 NI/min

Available versions		
213819	SATA air vision 5000 set (Int.) Version <b>without</b> activated charcoal adsorber	
1000249	SATA air vision 5000 respirator hood (Int.)	
1000124	SATA air vision 5000 carbon set (Int.) Version <b>with</b> activated charcoal adsorber	
1000190	SATA air regulator (Int.) for SATA air vision 5000	
1000108	SATA air regulator set (Int.)	

Available versions		
1000215	SATA air regulator belt (Int.) for SATA air vision 5000	
1000059	SATA air carbon regulator set (Int.)	
1000132	SATA air warmer carbon (Int.) for SATA air carbon regulator	
1000166	SATA air carbon regulator (Int.) for SATA air vision 5000	
1000299	SATA air humidifier (Int.) for SATA air vision 5000	
1007005	SATA air warmer, incl. adapter plate and hip pad for SATA air vision 5000	
1006982	SATA air cooler for SATA air vision 5000	

Accessories		
13870	SATA air hose, blue, 9mm, 1.2 m with quick coupling, red and nipple	
49080	Safety compressed air supply hose CE 10 mm, f. SATA respirators CE version, 6 m long, cpl. according to DIN EN 139/270	
176792	Safety compressed air supply hose CE 10m ø 10 mm DIN EN 139/270 for SATA respirators	
180851	Safety compressed air supply hose CE 40m, 10mm, DIN EN 139/270 for SATA respirators	
218206	SATA Activated charcoal filter, cpl. for SATA air carbon regulator	

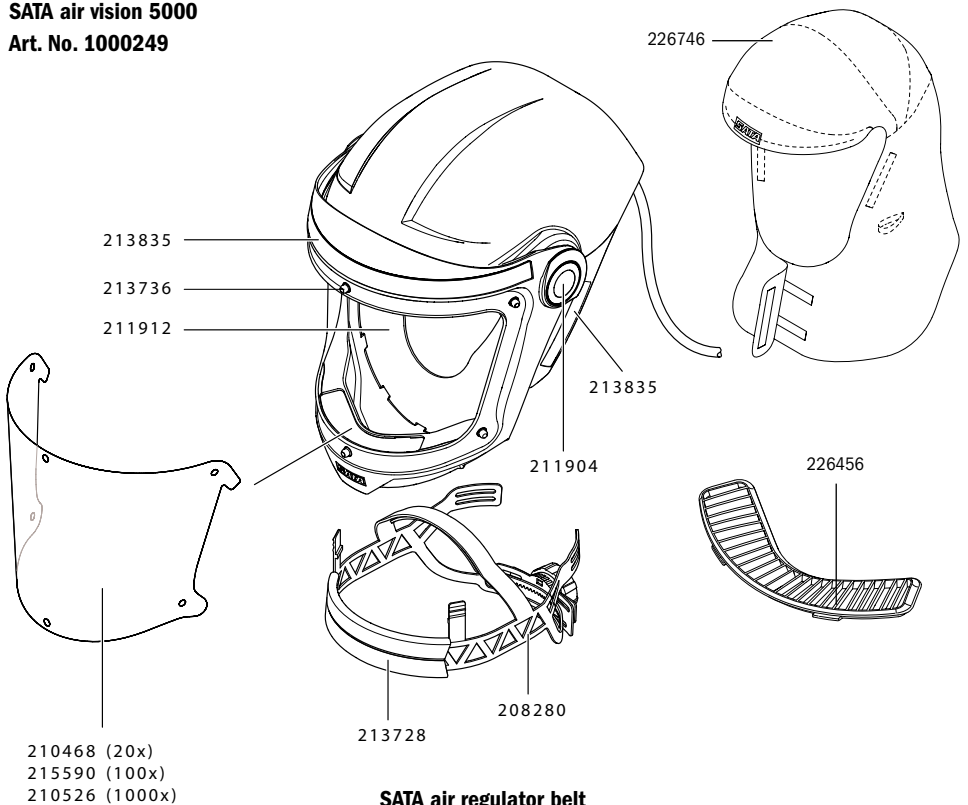
All prices are recommended list prices. Errors, technical modifications and printing errors reserved.



# Spare Parts SATA® air vision™ 5000

Art. No./Descr.
208280 Head fixation cpl.
208439 Belt with buckle
208447 Hip pad (packing unit 1 piece)
208462 Adapter plate
210468 Visor foil, 6 perforations (packing unit 20 pieces)
210526 Visor foil, 6 perforations (packing unit 1000 pieces)
211904 CCS disc (packing unit 4 pieces)
211912 Hygiene insert (packing unit 20 pieces)
213728 Comfort band (packing unit 10 pieces)
213736 Visor bolt (packing unit 6 pieces)
213835 Hook-and-loop tape long (packing unit 1 piece) and short (packing unit 2 pieces), adhesive on one side
213751 Hood holder for SATA air regulator
215590 Visor foil, 6 perforations (packing unit 100 pieces)
218206 SATA Activated charcoal filter, cpl.
226456 Plug-in diffuser
226621 Humidifier kit consisting of humidifier module, lid seal and SATA filter timer
226746 Hood cloth, dark grey
1014232 Hip pad (packing unit 1 Stück)
1014240 Air hose cpl.

**SATA air vision 5000**  
**Art. No. 1000249**

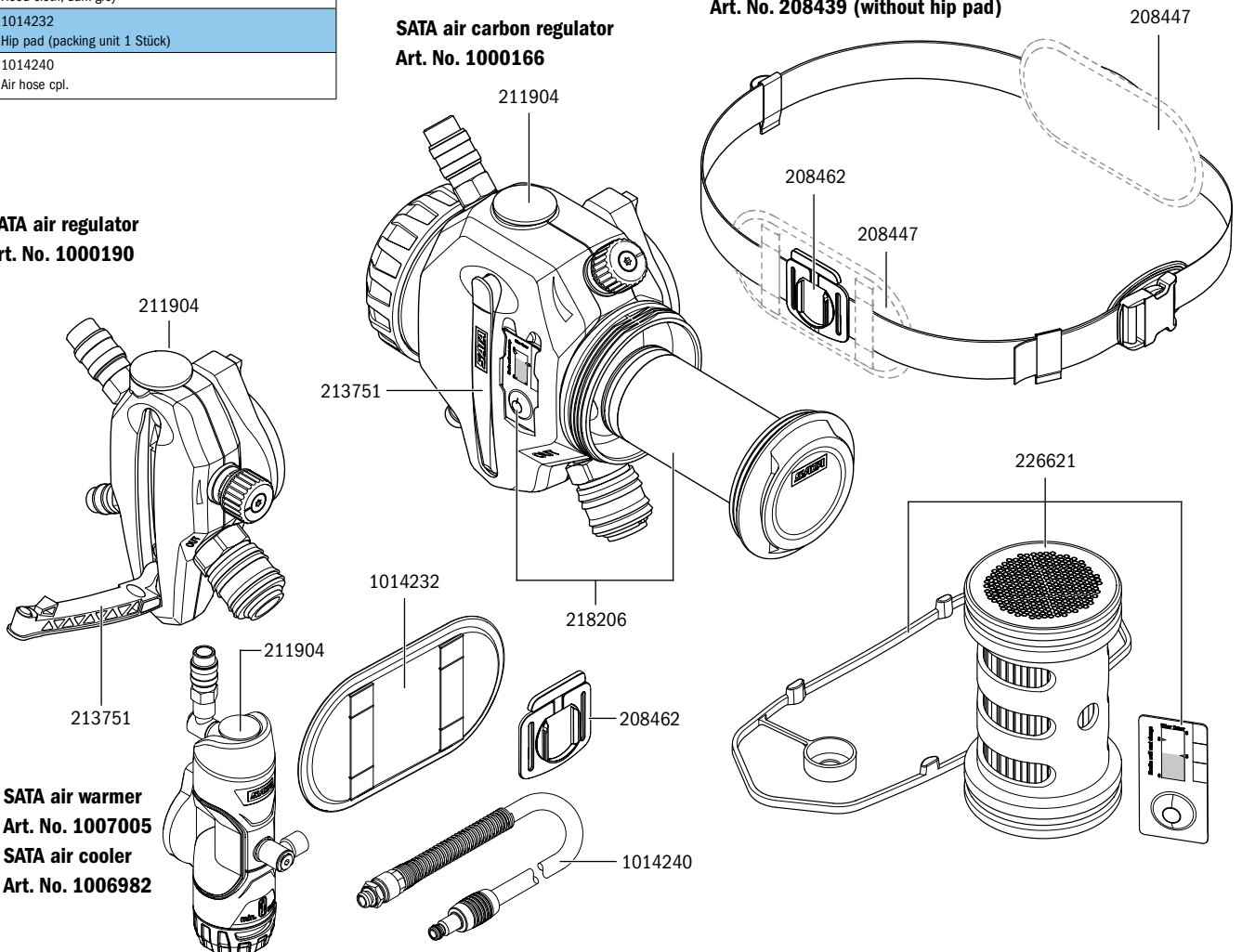


- 210468 (20x)
- 215590 (100x)
- 210526 (1000x)

**SATA air regulator belt**  
**Art. No. 1000215 (with hip pad)**  
**Art. No. 208439 (without hip pad)**

**SATA air carbon regulator**  
**Art. No. 1000166**

**SATA air regulator**  
**Art. No. 1000190**



**SATA air warmer**  
**Art. No. 1007005**  
**SATA air cooler**  
**Art. No. 1006982**




All prices are recommended list prices. Errors, technical modifications and printing errors reserved.

# SATA® vision™ 2000


## SATA vision 2000

<b>Technical Data</b>	Required operating pressure: 4.0 bar
	Required minimum air volume flow: 170 l/min


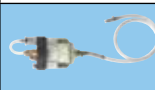
## SATA vision 2000 with activated charcoal belt unit

69500	SATA respirator kit vision 2000, with activated charcoal adsorber	
52712	Hood for full face respirator vision 2000, with head / chest cloth over hood, air hose 1.80 m long	
54015	Belt unit with activated charcoal adsorber and air regulation valve for SATA vision 2000 and respirator hood CE industry with UV protection	
173880	SATA respirator kit in systainer: SATA vision 2000 and belt unit with activated charcoal adsorber and air regulation valve, SATA air warmer, SATA air hose 1.2 m	

## SATA vision 2000 without activated charcoal belt unit

154591	SATA hood Vision 2000 with industrial belt unit, T-piece and hose coupling	
122341	Belt unit with T-piece and air regulation valve for SATA vision 2000, respirator hood CE industry with UV protection, air star C	
58941	Belt unit with air regulation valve for SATA vision 2000, respirator hood CE industry with UV protection, air star C	

## Accessories

61242	Air warmer w. micrometer for SATA respirators	
89086	SATA top air breathing air humidifier	
13870	SATA air hose, blue, 9mm, 1.2 m with quick coupling, red and nipple	
49080	Safety compressed air supply hose CE 10 mm, f. SATA respirators CE version, 6 m long, cpl. according to DIN EN 139/270	
176792	Safety compressed air supply hose CE 10m ø 10 mm DIN EN 139/270 for SATA respirators	
180851	Safety compressed air supply hose CE 40m, 10mm, DIN EN 139/270 for SATA respirators	

Further accessories see page 84.

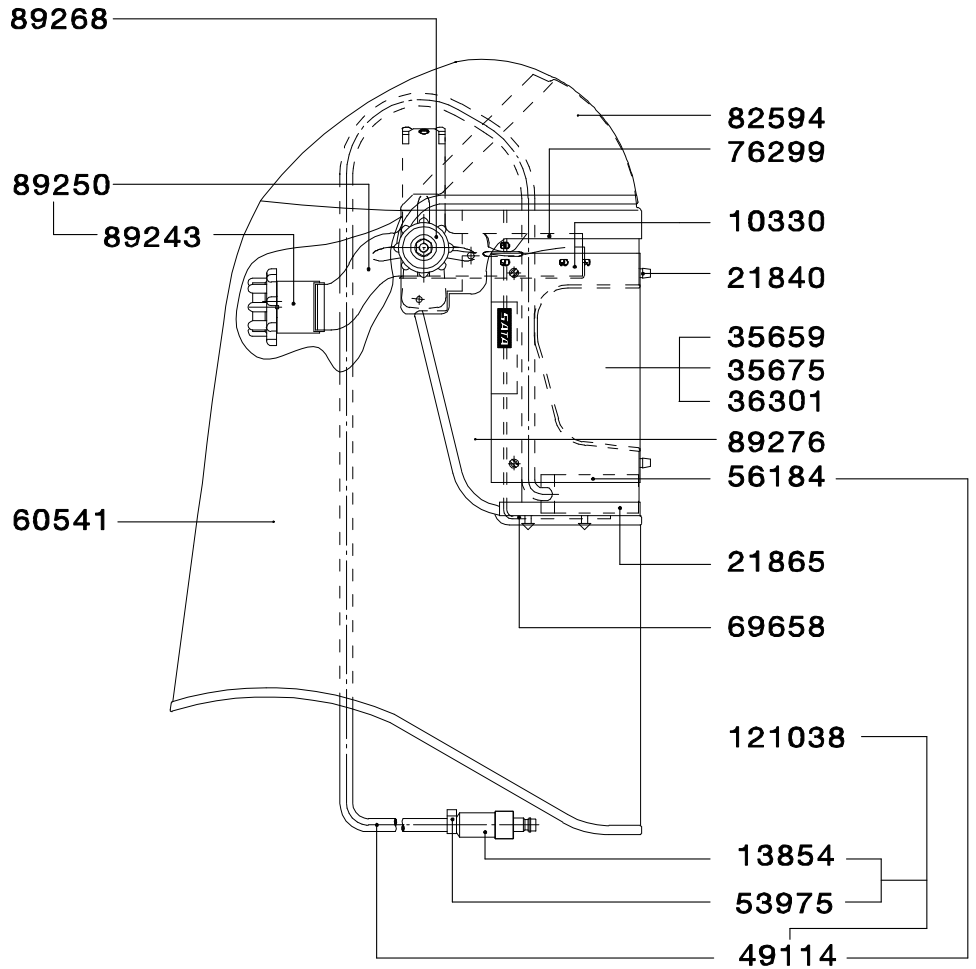
## SATA hood with UV protection < 380 nm wave length

67595	SATA respirator hood CE, head cloth w. chest cover	
-------	--	--

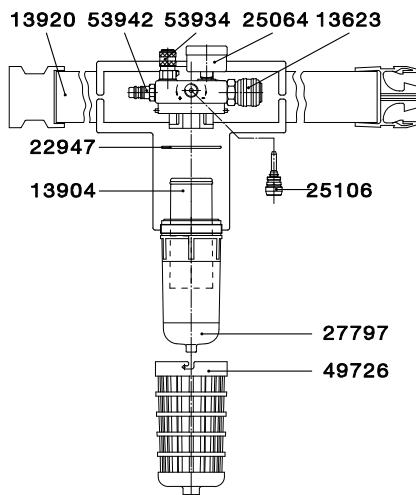
All prices are recommended list prices. Errors, technical modifications and printing errors reserved.

# Spare Parts SATA® vision™ 2000

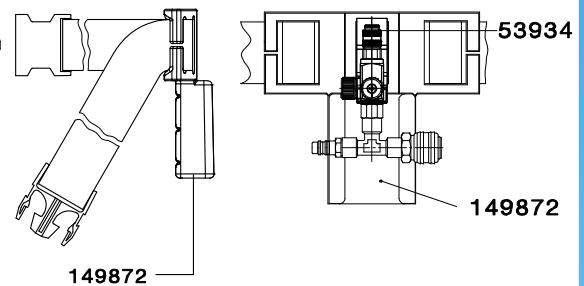
Art. No./Descr.
6981
SATA quick coupling nipple G 1/4" (female thread) (packing unit 5 pieces)
10330
Sweat ribbon, microfibre-velour (packing unit 10 pieces)
13623
SATA quick coupling 1/4" (male thread)
13854
Silencer
13904
Activated charcoal cartridge
13920
Belt with buckle
21840
Set of plug-in nipples, complete, for Vision 2000
21865
Bottom part (packing unit 2 pieces)
22947
O-ring
25064
Pressure gauge 0 - 6 bar, 40 mm, green area 1.3 - 2.6 bar
25106
Spindle, complete, for adsorber (CE) of half mask + full face respirator
27797
Adsorber glass
35659
Visor foil, 6 perforations (packing unit 5 pieces)
35675
Visor foil, 6 perforations (packing unit 25 pieces)
36301
Visor foil, 6 perforations (packing unit 1000 pieces)
49114
Breathing air hose with acoustic warning device and foam sleeve, without noise reducer/coupling
49726
Protective cage f. respirator filter unit
53934
Safety quick coupling for SATA full face respirator
53942
Nipple G 1/4 f. GS respirator, UBE + blow-off gun, size 14
53975
Hose clamp 10.5 GER
56184
Foam sleeve for CE respirator
60541
Head / chest scarf, grey, over hood
69658
Hood inlay, black (20 pieces)
76299
Foam stripes, one side self-adhesive 8 x 25 x 345 mm, for respirators
82594
Hood with velcro tape, loose, for Vision 2000 respirator
89243
Adjustable part for head strap of Vision 2000 respirator
89250
Head strap, cpl., for Vision 2000 respirator
89268
Screwing (2 pieces)
89276
Carrier frame with side parts, plug-in nipples and bottom part, for Vision 2000 respirator
121038
Breathing air hose, cpl. with acoustic warning device, foam sleeve and noise reducer/coupling
149872
Belt cushion



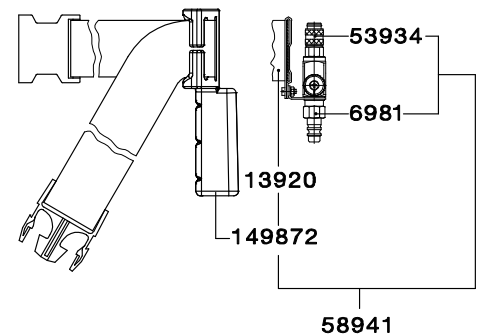
**Belt unit Art. No. 54015**



**Belt unit Art. No. 122341**



**Belt unit Art. No. 58941**





All prices are recommended list prices. Errors, technical modifications and printing errors reserved.

# SATA® air star® C




## SATA air star

<b>Technical Data</b>	Required minimum operating pressure: 4.0 bar
	Required minimum air volume flow: 150 NI/min
	Maximum air volume flow: 305 NI/min






## SATA air star with Activated Charcoal Belt Unit

137554	SATA respirator kit: SATA air star C and belt unit with activated charcoal filter and air regulation valve, disposable hood	
137588	SATA air star C half mask with breathing hose, without filter	
55798	Belt unit with activated charcoal adsorber and air regulation valve for SATA air star C	

## SATA air star without Activated Charcoal Belt Unit

137570	SATA air star C half mask and belt unit with T-piece, special version	
137588	SATA air star C half mask with breathing hose, without filter	
122341	Belt unit with T-piece and air regulation valve for SATA vision 2000, respirator hood CE industry with UV protection, air star C	
58941	Belt unit with air regulation valve for SATA vision 2000, respirator hood CE industry with UV protection, air star C	

## Accessories

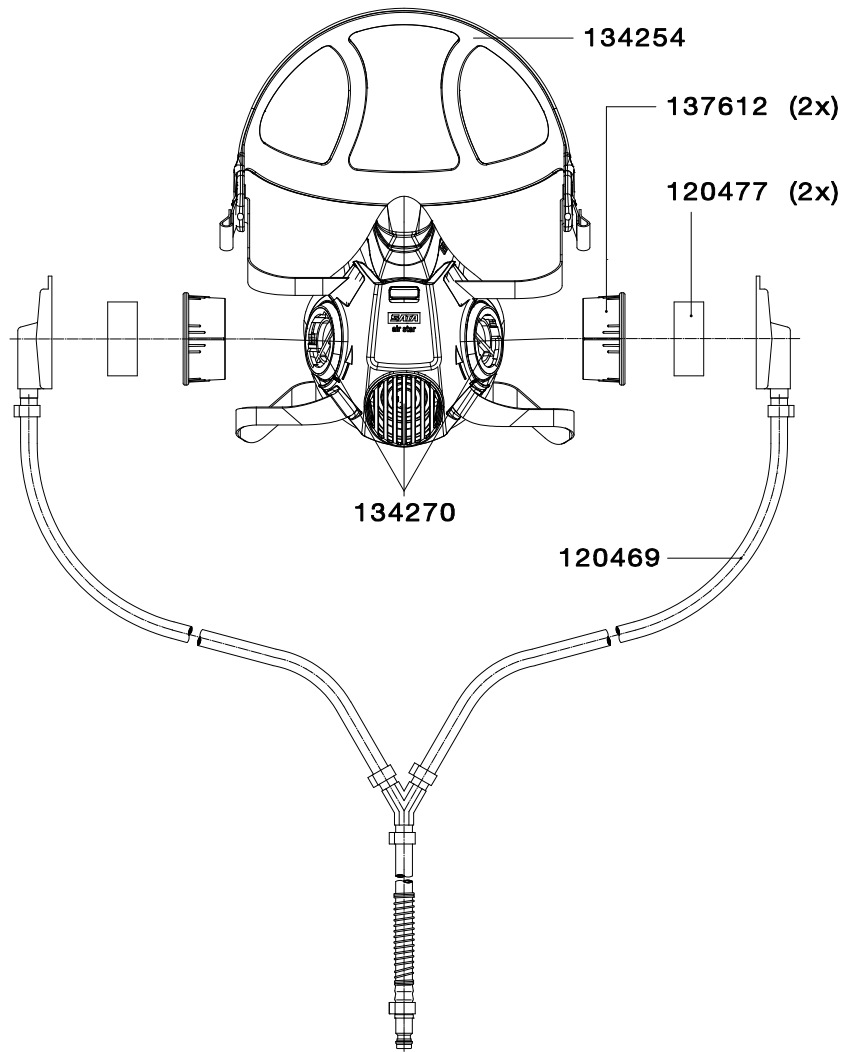
61242	Air warmer w. micrometer for SATA respirators	
89086	SATA top air breathing air humidifier	
13870	SATA air hose, blue, 9mm, 1.2 m with quick coupling, red and nipple	
49080	Safety compressed air supply hose CE 10 mm, f. SATA respirators CE version, 6 m long, cpl. according to DIN EN 139/270	
176792	Safety compressed air supply hose CE 10m ø 10 mm DIN EN 139/270 for SATA respirators	
180851	Safety compressed air supply hose CE 40m, 10mm, DIN EN 139/270 for SATA respirators	
97485	SATA protect Protective goggles	

Further accessories see page 86.

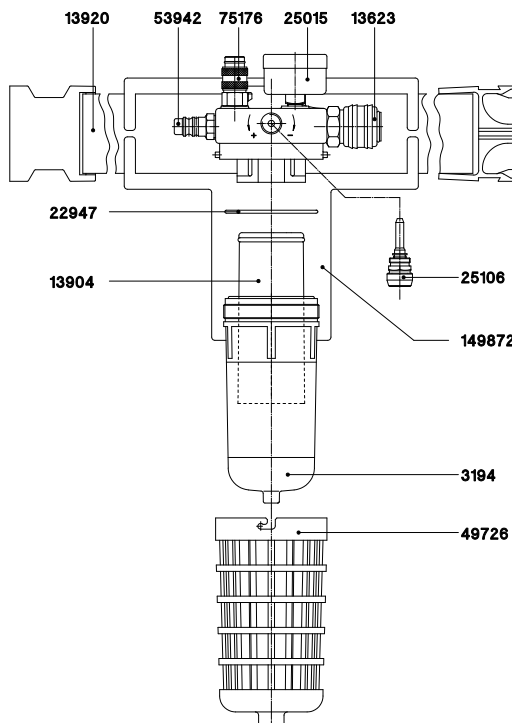
All prices are recommended list prices. Errors, technical modifications and printing errors reserved.

# Spare Parts SATA® air star® C

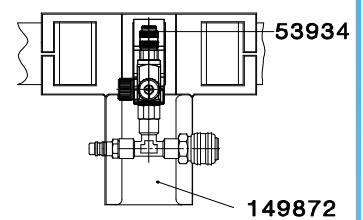
Art. No./Descr.
3194 Adsorber glass
6981 SATA quick coupling nipple G 1/4" (female thread) (packing unit 5 pieces)
13623 SATA quick coupling 1/4" (male thread)
13904 Activated charcoal cartridge
13920 Belt with buckle
22947 O-ring
25015 Pressure gauge 0 - 6 bar, 40 mm, green area 1 - 3 bar
25106 Spindle, complete, for adsorber (CE) of half mask + full face respirator
49726 Protective cage f. respirator filter unit
53942 Nipple G 1/4 f. GS respirator, UBE + blow-off gun, size 14
53934 Safety quick coupling for SATA full face respirator
75176 Safety quick closure coupling NW 5, type 21, for adsorber of half mask respirator, version GS
120469 Breathing air hose, cpl.
120477 Air distributor (packing unit 2 pieces)
134254 Head strap with fixing unit and yoke for SATA air star C
134270 Inhalation and exhalation diaphragms (packing unit 5 pieces or 10 pieces, resp.)
137612 Connection (packing unit 2 pieces)
149872 Belt cushion



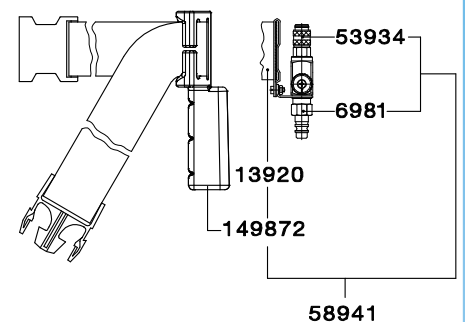
**Belt unit Art. No. 55798**



**Belt unit Art. No. 122341**













**Belt unit Art. No. 58941**



All prices are recommended list prices. Errors, technical modifications and printing errors reserved.

# Accessories for SATA vision 2000/SATA air star C

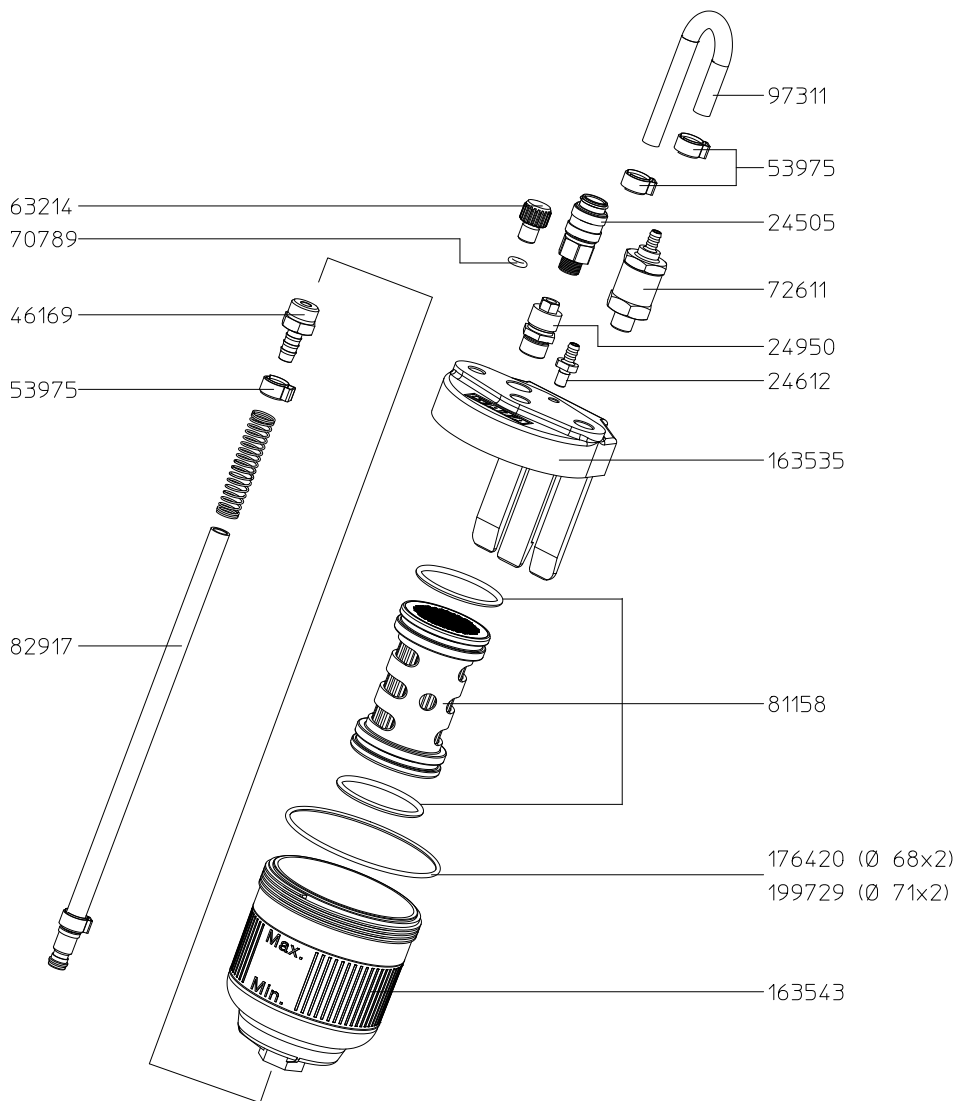
Accessories and air hoses		
13904	Activated charcoal cartridge for SATA activated charcoal adsorber	
15412	Suspender belt for SATA belt units SATA air star C und SATA vision 2000	
13870	SATA air hose, blue, 9mm, 1.2 m with quick coupling, red and nipple	
49080	Safety compressed air supply hose CE 10 mm, f. SATA respirators CE version, 6 m long, cpl. according to DIN EN 139/270	
176792	Safety compressed air supply hose CE 10m ø 10 mm DIN EN 139/270 for SATA respirators	
180851	Safety compressed air supply hose CE 40m, 10mm, DIN EN 139/270 for SATA respirators	
Breathing air humidifier and breathing air warmer		
89086	SATA top air breathing air humidifier	
61242	Air warmer w. micrometer for SATA respirators	
Cleaning cloths		
134965	SATA half mask cleaner (packing unit 10 pieces)	
135020	SATA half mask cleaner (packing unit 50 pieces)	
75358	SATA wet & dry cleaner (packing unit 10 pieces)	
83881	SATA wet & dry cleaner, (packing unit 50 pieces)	
Head covers for SATA vision 2000		
60541	Head / chest scarf, grey, over hood for SATA vision 2000	
56762	Grey head cloth w. chest cover for respirators	

All prices are recommended list prices. Errors, technical modifications and printing errors reserved.

# Spare Parts SATA® top air™/SATA® air warmer™

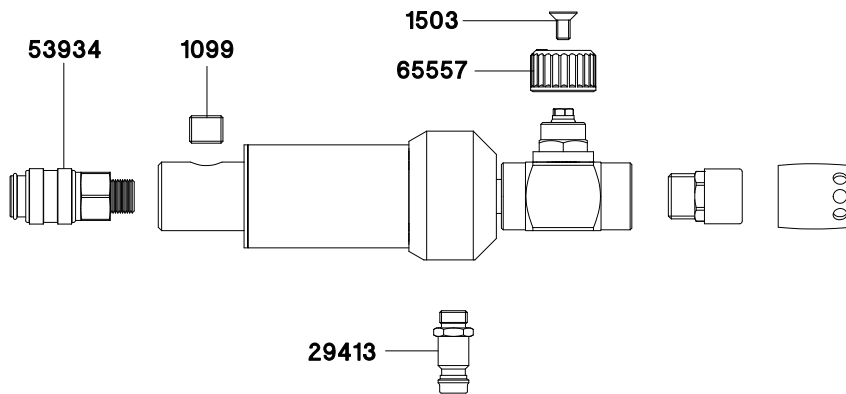
## SATA top air

Art. No./Descr.
24505
Safety quick closure coupling, free passage, for SATA top-air
24612
Nipple
24919
O-ring
24950
Safety valve, complete, for SATA top-air
46169
Plug-in nipple for SATA top-air
53975
Hose clamp 10.5 GER
63214
Closing screw for SATA top-air
70789
O-ring 5 x 2 mm, ethylene-propylene, for control piston SATA LP90
72611
Valve, complete, for SATA top-air
81158
Humidifier module cpl.
82917
Breathing air hose, cpl.
97311
PVC hose 4 x 2 mm x 110 mm
163535
Holder
163543
Container with acme thread
176420
O-ring 68 x 2.0 NBR for SATA top air (until July 2013)
199729
O-Ring for SATA top air (as of July 2013)



## SATA air warmer

Art. No./Descr.
1099
Closing screw DIN 906 G 1/8-ST., nickel-plated
1503
Countersunk screw M4 x 8 DIN 965, stainless steel, for micrometer und round/flat spray control
29413
Nipple
53934
Safety quick coupling for SATA full face respirator
65557
Control knob





All prices are recommended list prices. Errors, technical modifications and printing errors reserved.

# SATA® air star® F







Filtering mask for short usage periods during small paint jobs.




## SATA air star F

134353	SATA air star F, filter A2:P3 D, 2 pre-filter holders and 10 pre-filters	
134288	SATA air star F (Int.) , filter A2:P3 D, 2 pre-filter holders and 10 pre-filters, with hygiene box	

## Accessories

91553	Storage box for SATA air star F	
134965	SATA half mask cleaner (packing unit 10 pieces)	
135020	SATA half mask cleaner (packing unit 50 pieces)	
97485	SATA protect Protective goggles	

## Spare parts for SATA air star F

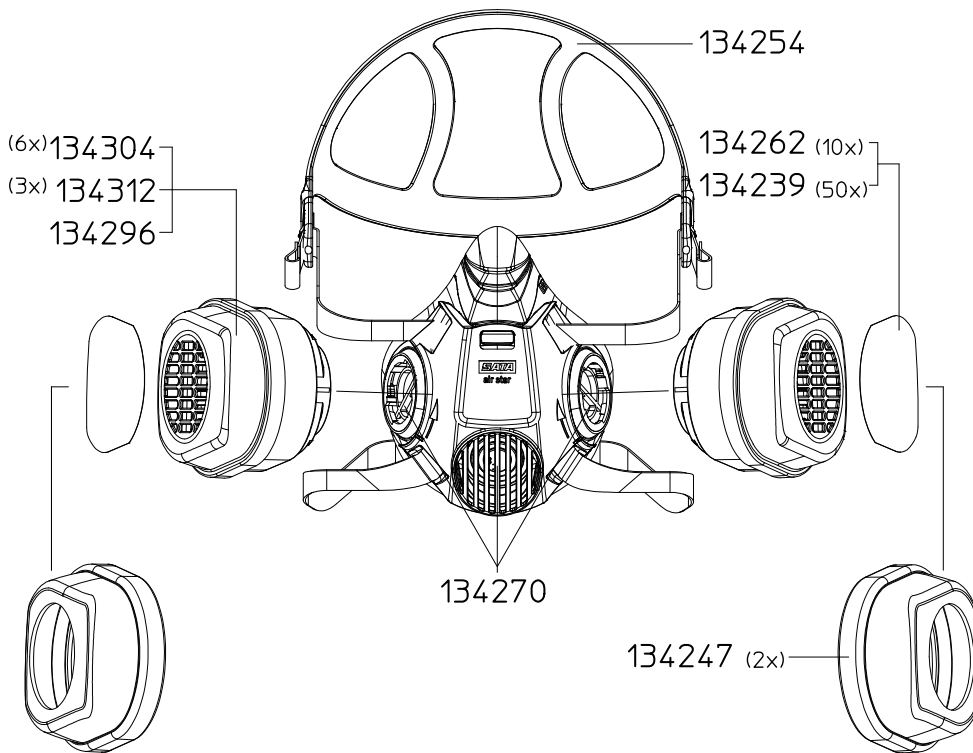
134262	Pre-filter (packing unit 10 pieces) for SATA air star F	
134239	Pre-filter (packing unit 50 pieces) for SATA air star F	
134296	1 Pair of special filters A2:P3 D for SATA air star F	
134312	Pack of 3 pairs of special filters A2:P3 D for SATA air star F	
134304	Pack of 6 pairs of special filters A2:P3 D for SATA air star F	
134247	Pre-filter holder, red (packing unit 2 pieces) and pre-filter (packing unit 10 pieces) for SATA air star F	

All prices are recommended list prices. Errors, technical modifications and printing errors reserved.



# Spare Parts SATA® air star® F

Art. No./Descr.
134239 Pre-filter (packing unit 50 pieces)
134247 Pre-filter holder, red (packing unit 2 pieces) and pre-filter (packing unit 10 pieces)
134254 Head strap with fixing unit and yoke for SATA air star C
134262 Pre-filter (packing unit 10 pieces)
134270 Inhalation and exhalation diaphragms (packing unit 5 pieces or 10 pieces, resp.)
134296 1 Pair of special filters A2:P3 D for SATA air star F
134304 Pack of 6 pairs of special filters A2:P3 D for SATA air star F
134312 Pack of 3 pairs of special filters A2:P3 D for SATA air star F



All prices are recommended list prices. Errors, technical modifications and printing errors reserved.



**filter 484**  
No. 102-PM 02370



**Filter-Druckminderer**  
**Filter pressure regulator**  
**Filter pression à filtre fritte**

Germany  
SATA  
No. 102-PM 02370

Working pressure: 10 bar / 150 psi  
Working pressure: 10 bar / 150 psi  
Working pressure: 10 bar / 150 psi  
Working pressure: 10 bar / 150 psi  
Working pressure: 10 bar / 150 psi

**SATA**  
SATA  
SATA

SATA  
SATA  
SATA

SATA  
SATA  
SATA

# Filter Technology



# SATA® filter 100 prep™/101 prep™/103 prep™






## SATA filter 100 prep/101 prep/103 prep

### Technical Data

Air inlet: G 1/2" female thread
Air outlet: 1/4" male thread
Max. inlet operating pressure: 10.0 bar
Max. outlet operating pressure: 10.0 bar
Air flow at 6.0 bar: 800 NI/min
Max. ambient temperature: 50 °C

### Available versions

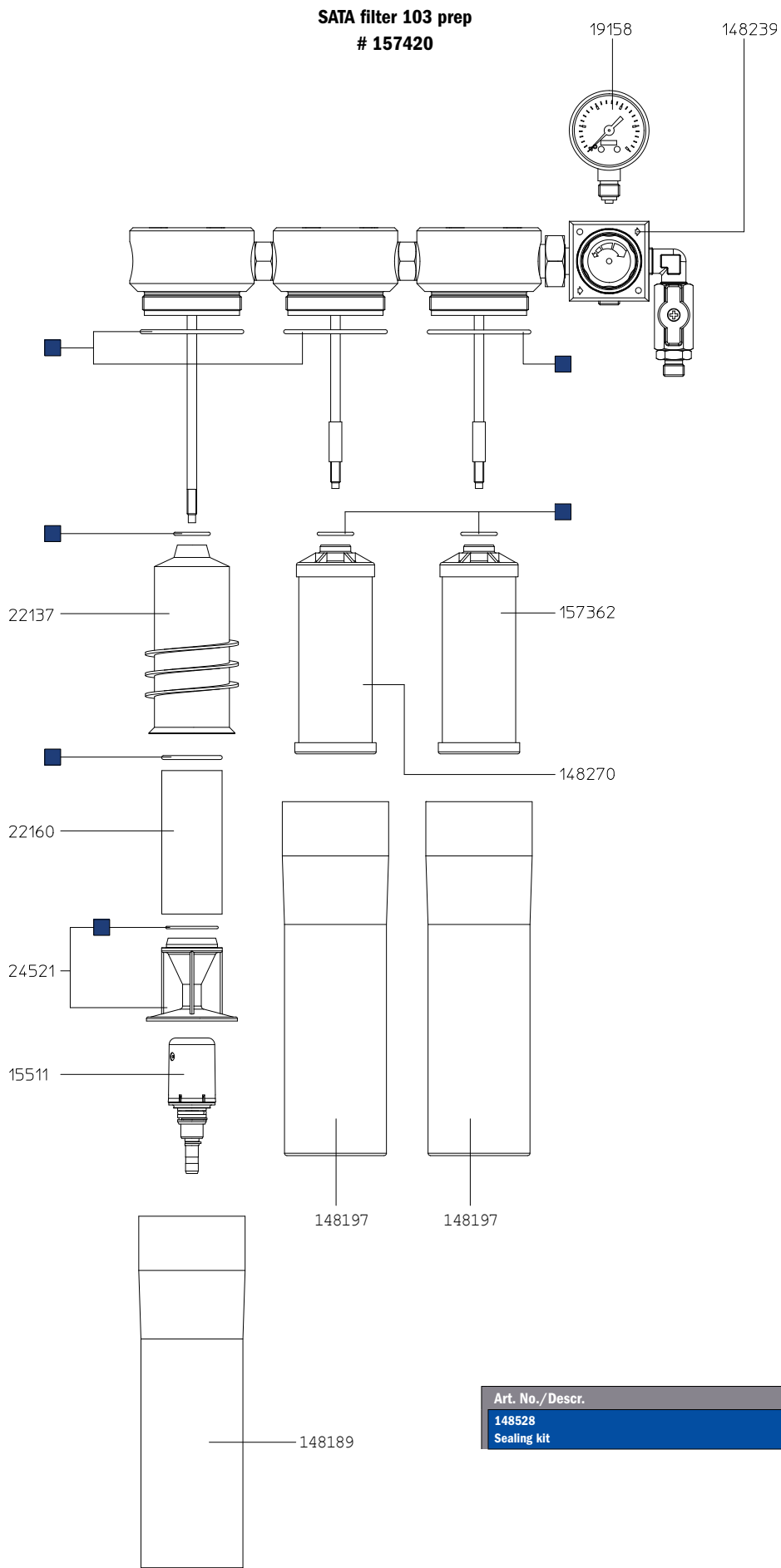
### Euro

148247	SATA filter 100 prep double-stage sinter filter/fine filter with pressure regulator outlet (1 x 1/4" male thread)	
157412	SATA filter 101 prep single-stage activated charcoal filter to retrofit filter 100 prep to filter 103 prep	
157420	SATA filter 103 prep triple-stage sinter filter/fine filter/activated charcoal filter with pressure regulator and 1 outlet tap (1/4" male thread)	

All prices are recommended list prices. Errors, technical modifications and printing errors reserved.

# Spare Parts SATA® filter 103 prep™

Art. No./Descr.	Euro
15511	Automatic condensate drain valve
19158	Pressure gauge 0 - 10 bar, 50 mm
22137	Cyclone separator
22160	Sintered filter
24521	Condensate retainer with O-ring
148239	Pressure regulation valve
148270	Fine filter cartridge
157362	Activated charcoal cartridge
148189	Filter housing, drilled and coated
148197	Filter sleeve, processed and coated



Art. No./Descr.
148528
Sealing kit

All prices are recommended list prices. Errors, technical modifications and printing errors reserved.

# SATA® filter 414™/424™/434™/464™



## SATA filter 414/424/434/464

Technical Data	
	Air inlet: G 1/2" female thread
	Air outlet: 1/4 " male thread
	Max. inlet operating pressure: 15.0 bar
	Max. outlet operating pressure: 10.0 bar
	Air flow at 6.0 bar: 3600 NI/min
	Max. ambient temperature: 120 °C
	Max. ambient temperature with activated charcoal: 60 °C

## Pressure regulator/water separator

92288	SATA pressure reducer 420 with gauge 0-10 bar, air inlet and outlet G 1/2" (female thread)	
92213	SATA filter 414 single-stage sinter filter without pressure regulator, with outlet module (2 x 1/4" male thread)	
92254	SATA filter 414 L single-stage sinter filter without pressure regulator, for pipeline installation (G 1/2" female thread)	
92221	SATA filter 424 single-stage sinter filter, pressure regulator, outlet module (2 x 1/4" male thread)	
92262	SATA filter 424 L single-stage sinter filter, pressure regulator, for pipeline installation (G 1/2" female thread)	

## Fine filter

92239	SATA filter 434 single-stage fine filter without pressure regulator, with outlet module (2 x 1/4" male thread)	
92270	SATA filter 434 L single-stage fine filter without pressure regulator for pipeline installation (G 1/2" female thread)	

## Activated charcoal filter to retrofit SATA filter 444

141473	SATA filter 464 add-on kit single-stage activated charcoal filter without pressure regulator to retrofit SATA filter 444 to SATA filter 484	
92247	SATA filter 464 single-stage activated charcoal filter without pressure regulator, with outlet module (2 x 1/4" male thread)	

All prices are recommended list prices. Errors, technical modifications and printing errors reserved.

# Spare parts SATA® filter 424™/464™

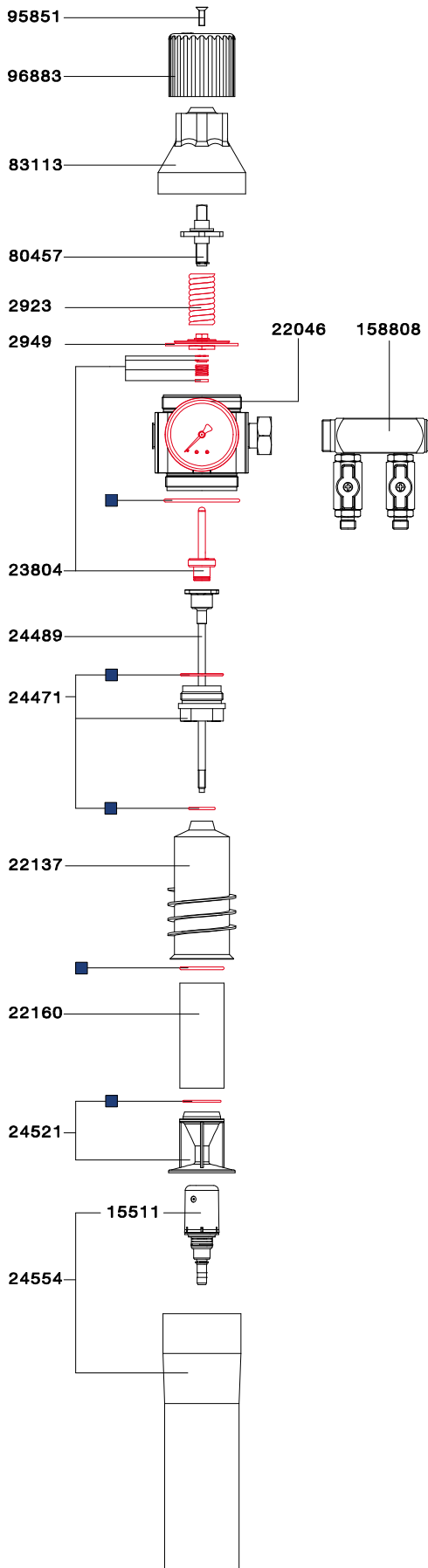
## SATA filter 424

Art. No./Descr.
2923
Pressure spring
2949
Diaphragm
15511
Automatic condensate drain valve
22046
Pressure gauge 0 - 10 bar, 50 mm
22137
Cyclone separator
22160
Sintered filter
23804
Pressure valve
24471
Plastic nut with 2 O-rings for SATA filter series 300 and 400
24489
Threaded rod with pressure valve head
24521
Condensate retainer with O-ring
24554
Filter sleeve with automatic discharge valve
80457
Spindle for SATA filter series 400
83113
Fixing nut
95851
Countersunk screw M 5 x 16
96883
Pressure adjustment screw
158808
Manifold 2x 1/4" (male thread)

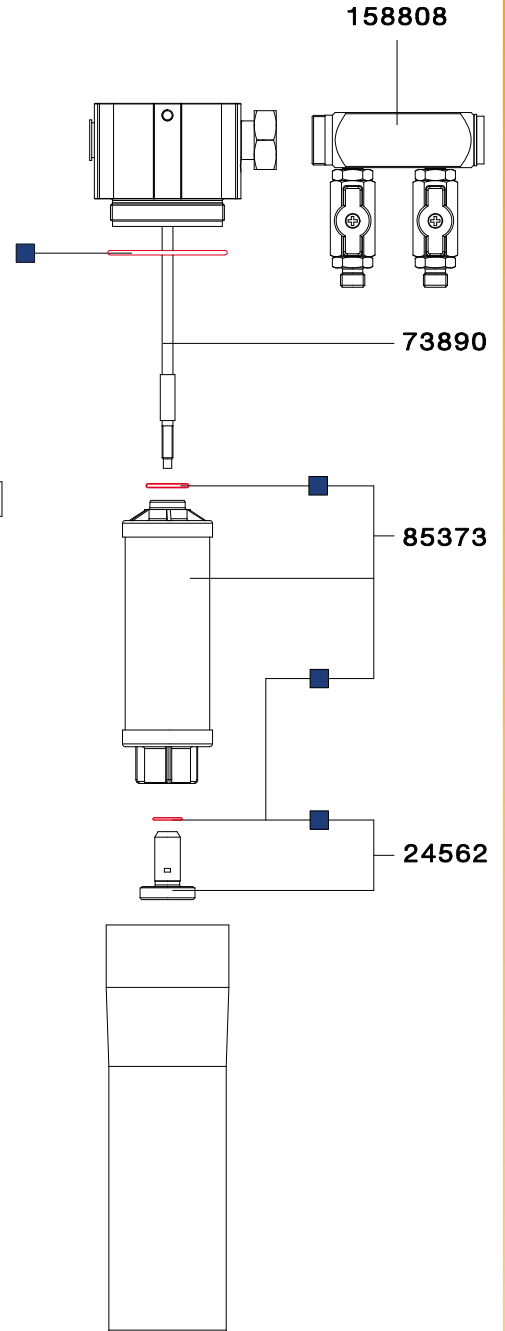
## SATA filter 464

Art. No./Descr.
24562
Adapter, cpl. with O-ring
73890
Threaded rod
85373
Activated charcoal cartridge
158808
Manifold 2x 1/4" (male thread)

## SATA filter 424 # 92221



## SATA filter 464 # 92247



Art. No./Descr.
94979
Service unit filter series 0/400
96750
Sealing kit

All prices are recommended list prices. Errors, technical modifications and printing errors reserved.

# SATA® filter 444™/474™/484™



## SATA filter 400

### Technical Data

Air inlet: G 1/2" female thread
Air outlet: 1/4" male thread
Max. inlet operating pressure: 15.0 bar
Max. outlet operating pressure: 10.0 bar
Air flow at 6.0 bar: 3600 NI/min
Max. ambient temperature: 120 °C
Max. ambient temperature with activated charcoal: 60 °C

### Combi filter

### Euro

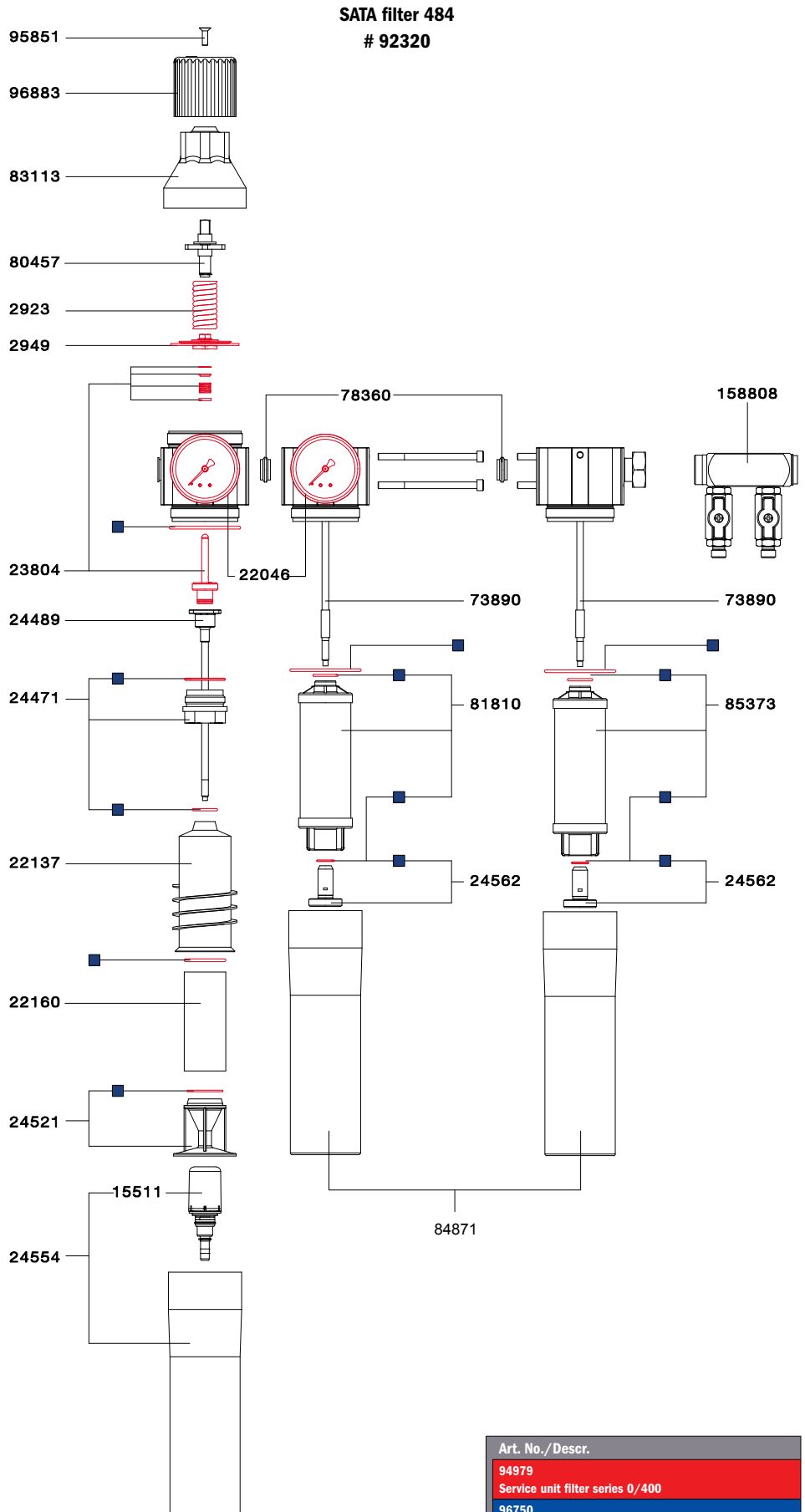
92296	SATA filter 444 double-stage sinter filter/fine filter with pressure regulator and outlet module (2 x 1/4" male thread)	
92833	SATA filter 444 with carrying support double-stage sinter filter/fine filter, pressure regulator, outlet module (2 x 1/4" male thread)	
92304	SATA filter 444 L double-stage sinter filter/fine filter with pressure regulator, for pipeline installation (G 1/2" female thread)	
92312	SATA filter 474 double-stage fine filter/activated charcoal without pressure regulator with outlet module (2 x 1/4" male thread)	
92320	SATA filter 484 triple-stage sinter filter/fine filter/activated charcoal with pressure regulator and outlet module (2 x 1/4" male thread)	
129619	SATA filter 484 with floor carrying support triple-stage sinter filter/fine filter/activated charcoal/floor carrying support with pressure regulator and outlet module (2 x 1/4" male thread)	
173195	SATA filter 484 mobil in a case, sintered filter/fine filter/activated charcoal with pressure regulator, air inlet G 1/2 a, air outlet (2x quick coupling)	

All prices are recommended list prices. Errors, technical modifications and printing errors reserved.



# Spare Parts SATA® filter 444™/474™/484™

Art. No./Descr.
2923
Pressure spring
2949
Diaphragm
15511
Automatic condensate drain valve
22046
Pressure gauge 0 - 10 bar, 50 mm
22137
Cyclone separator
22160
Sintered filter
23804
Pressure valve
24471
Plastic nut with 2 O-rings for SATA filter series 300 and 400
24489
Threaded rod with pressure valve head
24521
Condensate retainer with O-ring
24554
Filter sleeve with automatic discharge valve
24562
Adapter, cpl. with O-ring
73890
Threaded rod
78360
Gasket
80457
Spindle for SATA filter series 400
81810
Fine filter cartridge
83113
Fixing nut
84871
Filter sleeve
85373
Activated charcoal cartridge
95851
Countersunk screw M 5 x 16
96883
Pressure adjustment screw
158808
Manifold 2x 1/4" (male thread)



Art. No./Descr.
94979
Service unit filter series 0/400
96750
Sealing kit

All prices are recommended list prices. Errors, technical modifications and printing errors reserved.

## Accessories for SATA® filter series

Filter cartridges		
22160	Sintered filter for SATA filter series 100, 200, 300 and 400	
81810	Fine filter cartridge for SATA filter series 200, 300 and 400	
85373	Activated charcoal cartridge for SATA filter series 200, 300 and 400	
148270	Fine filter cartridge for SATA filter series 100 prep	
157362	Activated charcoal cartridge for SATA filter series 100 prep	
138933	Service kit for filter series 400: box for wall mounting with fine filter cartridge and activated charcoal cartridge	
206151	SATA filter timer for sinter filter	
Filter accessories		
13599	SATA quick coupling G 1/4" (female thread)	
158824	Manifold for extension with 2 ball valves for SATA filter series 400	
10934	Ball tap (Teflon) 1/2" male thread for air inlet SATA filter series 100, 300, 400 and cleaning devices	
9878	SATA mini filter 1/4" (male thread)	
Air quality control		
156299	SATA air tester, atomisation air quick tester	
7096	SATA air check set, compressed air quality control device for optimum spray air	
7666	Diaphragm (packing unit 10 pieces) for SATA air check set	
133587	SATA Service Tacho for the paint spray booth, German/English, DIN A3	
160713	SATA Service Tacho for the paint spray booth, Spanish/French, DIN A3	
215053	SATA filter cover (packing unit 4 pieces) for all SATA filter series	

All prices are recommended list prices. Errors, technical modifications and printing errors reserved.

# Accessories

**SATA multi clean 2**

**SATA**

**SATA clean®**  
- the turbo cleaner

**SATA**  
**SATA® clean RCS™**  
- compact -

**SATA**  
**SATA® clean RCS**  
- micro -



# SATA® mini set™ 2

## SATA mini set 2

Technical Data	
	Air inlet and outlet: 1/4" male thread
	Material outlet: 1/4" male thread
	Max. material pressure inside the container: 2.5 bar
	Weight: 2.4 kg
	Container and lid made of aluminium



Art. No.	Available versions	
120840	SATA mini set 2 pressure pot 2 ltr.	
56408	SATA Mini Set 2 with SATAjet 3000 K RP 1.1, paint pipe, material filter 60 msh, hose pair 1.5 m	
83444	SATA Mini Set 2 with SATAjet 3000 K HVLP 1.2, paint pipe, material filter 60 msh, hose pair 1.5 m	

## Accessories for SATA mini set 2

5868	Shoulder strap for SATA mini set and SATA mini set 2
19869	SATA hose pair 9 x 9 mm, 1.5 m, G 3/8" and G 1/4" (material), G 1/4" (air) (female thread) for SATA mini set 2

## SATA release agent application system

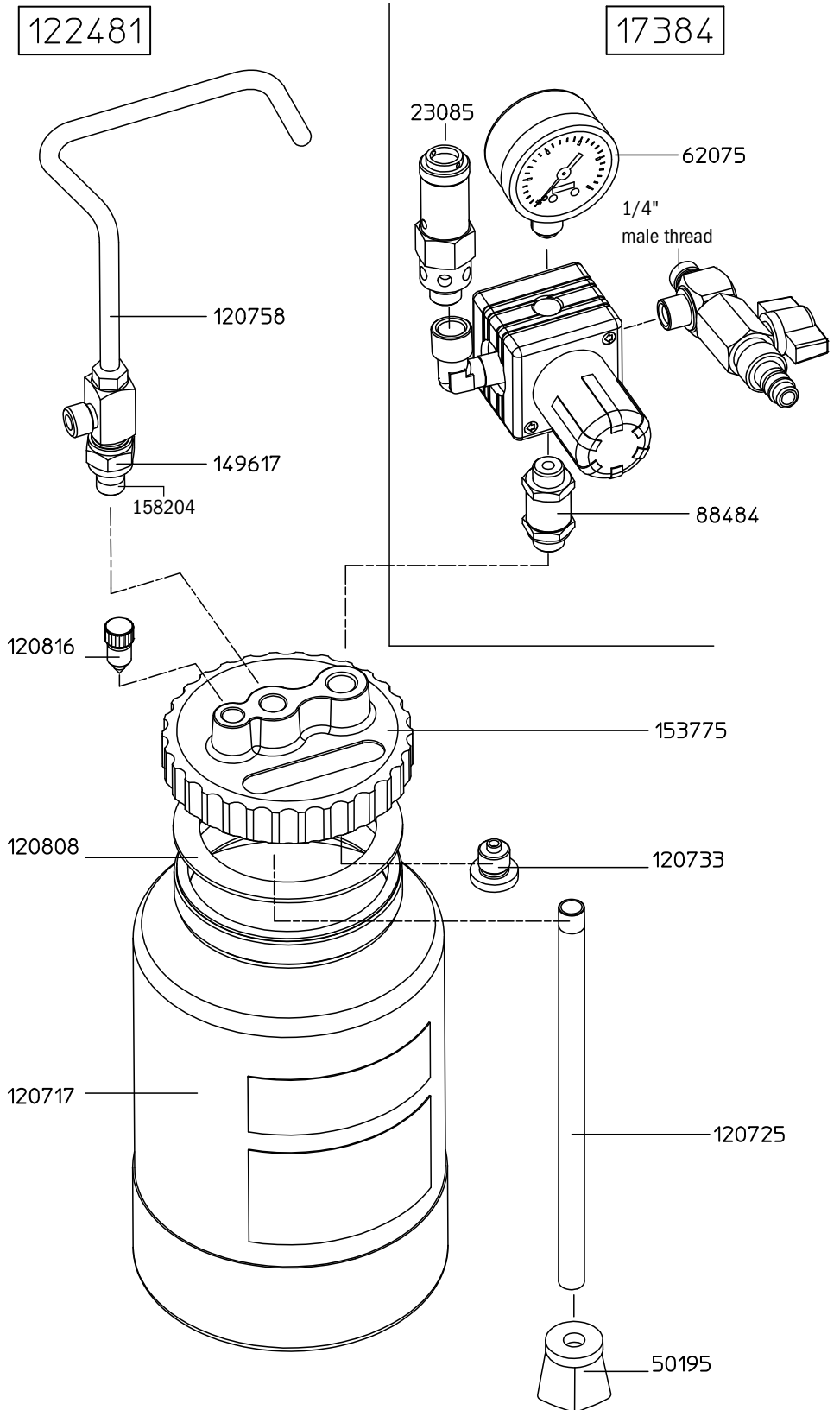
187740	Separating agent spray system, consisting of pressure tank 2 l, DDM, SATAminijet 1000 K RP 0.3, hose pair 3 m, complete	
187708	SATA hose pair 6 x 6 mm, 3 m, G 1/4" (female thread) (material and air) for SATA mini set 2	
187450	SATAminijet 1000 K RP nozzle 0.3 material connection 1/4" (male thread)	
187419	SATA paint tube G 1/4 female thread - 1/4" male thread	
187690	SATA paint strainer 60 msh, 1/4" (male thread)	
57232	2.0 l pressure pot, cpl. with handle and double reducer	

Hoses and hose pairs see pages 120 and 121.

All prices are recommended list prices. Errors, technical modifications and printing errors reserved.

# Spare Parts SATA® mini set™ 2

Art. No./Descr.
17384 Pressure regulator with gauge 0-4 bar, safety valve 2.5 bar
20677 Set of wear-and-tear parts for pressure regulation valve
23085 Safety and drain valve 2.5 bar for MINI-SET 2 litres, G 1/4
50195 Strainer (packing unit 2 pieces)
62075 Pressure gauge 0 - 4 bar, 50 mm, red marking at 2.5 bar
88484 One-Way valve
120733 Closing screw (packing unit 2 pieces)
120717 2.0 l pressure pot, w/o lid
120725 Suction pipe
120758 Handle, cpl.
120808 Sealing ring (packing unit 4 pieces)
120816 Pressure release screw (packing unit 2 pieces)
122481 2,0 l pressure pot, cpl. with handle, w/o controls and instruments
149617 Sleeve nut for handle SATA mini set 2
153775 Screw-on lid for mini set 2
158204 Connection nipple



All prices are recommended list prices. Errors, technical modifications and printing errors reserved.

# SATA® paint set™ 10



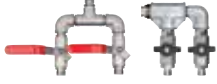
## SATA paint set 10

<b>Technical Data</b>	Air inlet and outlet: 1/4" male thread   Material outlet: 1/2" male thread
	Max. material pressure inside the container: 3 bar
	Total weight/Lid weight: 8 kg/starting from 3.9 kg
	Internal height / width: 268 mm/ø 217 mm
	Container made of stainless steel and lid coated

## Art. No. Features

				
Single pressure reducer	Double pressure reducer	Pot insert	Hand agitator	Compressed air agitator with gear drive



## SATA paint set 10 with ...

14662	x				
201079	x		x		
199257	x			x	
14654	x		x	x	
14647		x			
201087		x	x		
199265		x		x	
199273		x			x
14639		x	x	x	
14373	Optional (no retrofit): 2. spray gun connection (air and material) for SATA paint set 10 - stainless steel version with Teflon ball valve				

## SATAjet 3000 K RP, 1.1, material supply tube, material filter 60 msh, hose pair 9x9 mm, 6m length

16782		x			
-------	--	---	--	--	--

## Accessories

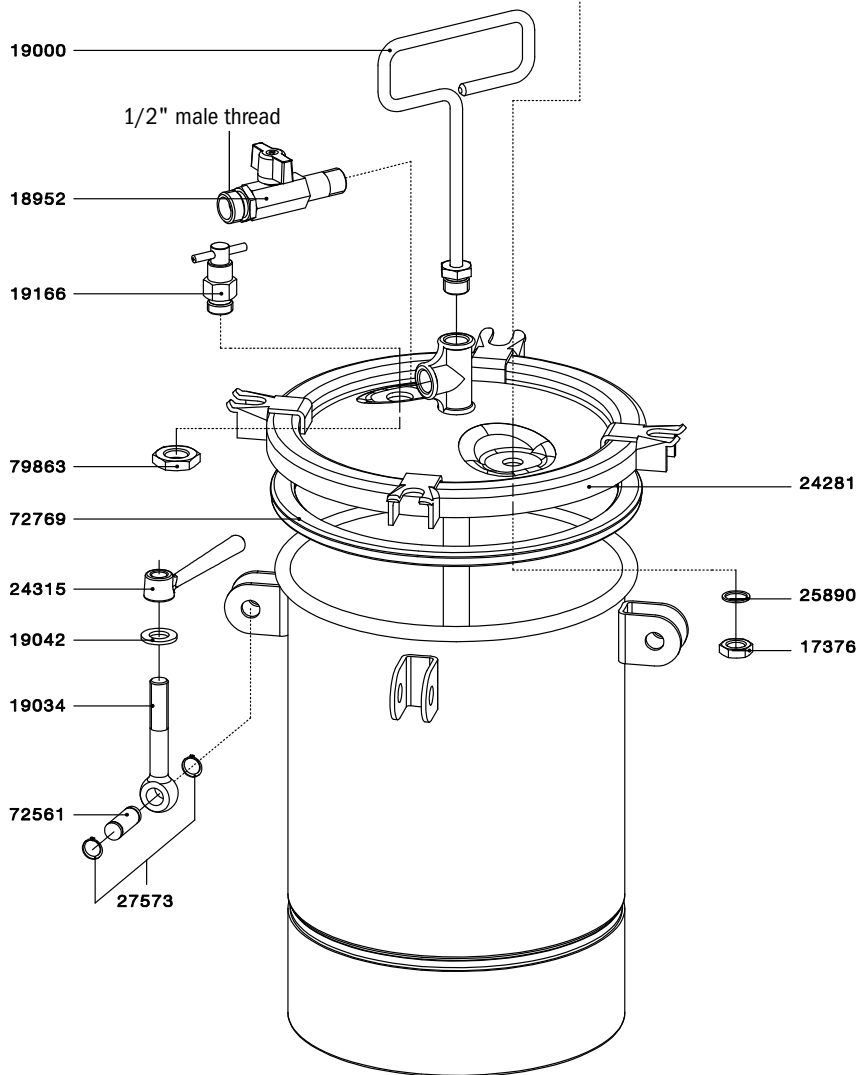
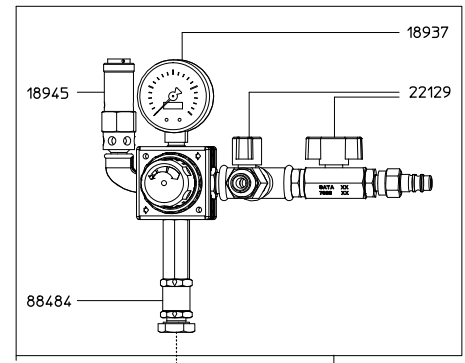
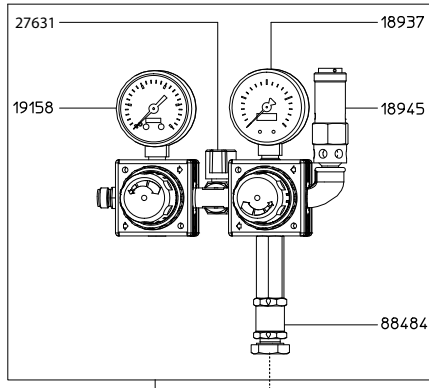
47530	Insert pot, stainless steel for SATA pressure tank FDG 10	
138917	Surcharge for suction pipe, tap and angle made of stainless steel for SATA paint set 10	
138925	Surcharge for pneumatic agitator with gearing for SATA paint set 10	

Hoses and hose pairs see pages 120 and 121.

All prices are recommended list prices. Errors, technical modifications and printing errors reserved.

# Spare Parts SATA® paint set™ 10

Art. No./Descr.
17376 Brass pipe securing nut DIN 431 G 1/4 nickel-plated for ascending pipe SATA Mini-Set 2 I
18937 Pressure gauge 0 - 4 bar, 50 mm, red marking at 3 bar
18945 Safety and drain valve 3 bar, G 1/4 for SATA Paint Set 10 I
18952 Ball tap (Teflon) 3/8" (male thread) x G 1/2" (female thread) material outlet
27631 Ball tap (Teflon) 1/4" (male thread) x G 1/4" (female thread)
19000 Handle, cpl.
19018 Double pressure reducer, cpl. with pressure gauge and safety valve 3.0 bar
19026 Single pressure regulator, cpl.
19034 Eye bolt
19042 Retaining washer 13 for SATA Paint Set 10 I, galvanized, 92-5817
19158 Pressure gauge 0 - 10 bar, 50 mm
19166 Air release valve, cpl. 3/8" (male thread)
22129 Ball tap (Teflon), cpl., 3/8" x 1/4" (male thread)
24281 Lid, black with RILSAN coating, with brackets and T-piece
24315 Securing handle M 12 for SATA pressure pot 10 I
25890 Sealing ring, copper 13x18x1
27573 Safety ring 12 x 1 DIN 471, galvanized
72561 Bolt
72769 Sealing ring
79863 Hexagon nut G 3/8" (female thread), stainless steel
88484 One-Way valve
20677 Set of wear-and-tear parts for pressure regulation valve



All prices are recommended list prices. Errors, technical modifications and printing errors reserved.

# SATA® Paint Pressure Tanks 24 l / 48 l



## SATA FDG 24N / SATA FDG 48N

<b>Technical Data</b>	Air inlet and outlet: 1/4" male thread   Material outlet: 1/2" male thread
Container and lid made of stainless steel	Max. material pressure inside the container: SATA FDG 24: 6 bar   SATA FDG 48: 4 bar
	Total weight/lid weight: SATA FDG 24: 24 kg/starting from 6.9 kg   SATA FDG 48: 31 kg/ starting from 8.6 kg
	Internal height / width: SATA FDG 24: 369mm/ø 297mm   SATA FDG 48: 486mm/ø 362mm

Art. No.	Features						
	Single pressure reducer	Double pressure reducer	Pot insert	Hand agitator	Compressed air agitator without gear drive	Compressed air agitator with gear drive	Motor driven agitator

### SATA FDG 24N\* with ...

177725	x						
177733	x			x			
177741	x				x		
177758	x					x	
177766	x						x
177774		x					
177782		x		x			
177790		x			x		
177808		x				x	
177816		x					x
181990	Optional (no retrofit): 2. spray gun connection (air and material), stainless steel version for SATA FDG 24 N						

### SATA FDG 24U\* with ...

186189	x						
195370		x					

### SATA FDG 48N\* with ...

177824	x						
177832	x			x			
177840	x				x		
177857	x					x	
177865	x						x
177873		x					
177881		x		x			
177899		x			x		
177907		x				x	
177915		x					x
177923	Optional (no retrofit): 2. spray gun connection (air and material), stainless steel version for SATA FDG 48 N						

### Accessories

31302	Insert pot, stainless steel for SATA pressure tank FDG 24	
47639	Insert pot, stainless steel for SATA pressure tank FDG 48	
14332	Trolley, cpl. for SATA FDG 48	
46037	Trolley, cpl. for SATA FDG 24 and SGE	

\*U= connection at the bottom / N= regular connection

All prices are recommended list prices. Errors, technical modifications and printing errors reserved.



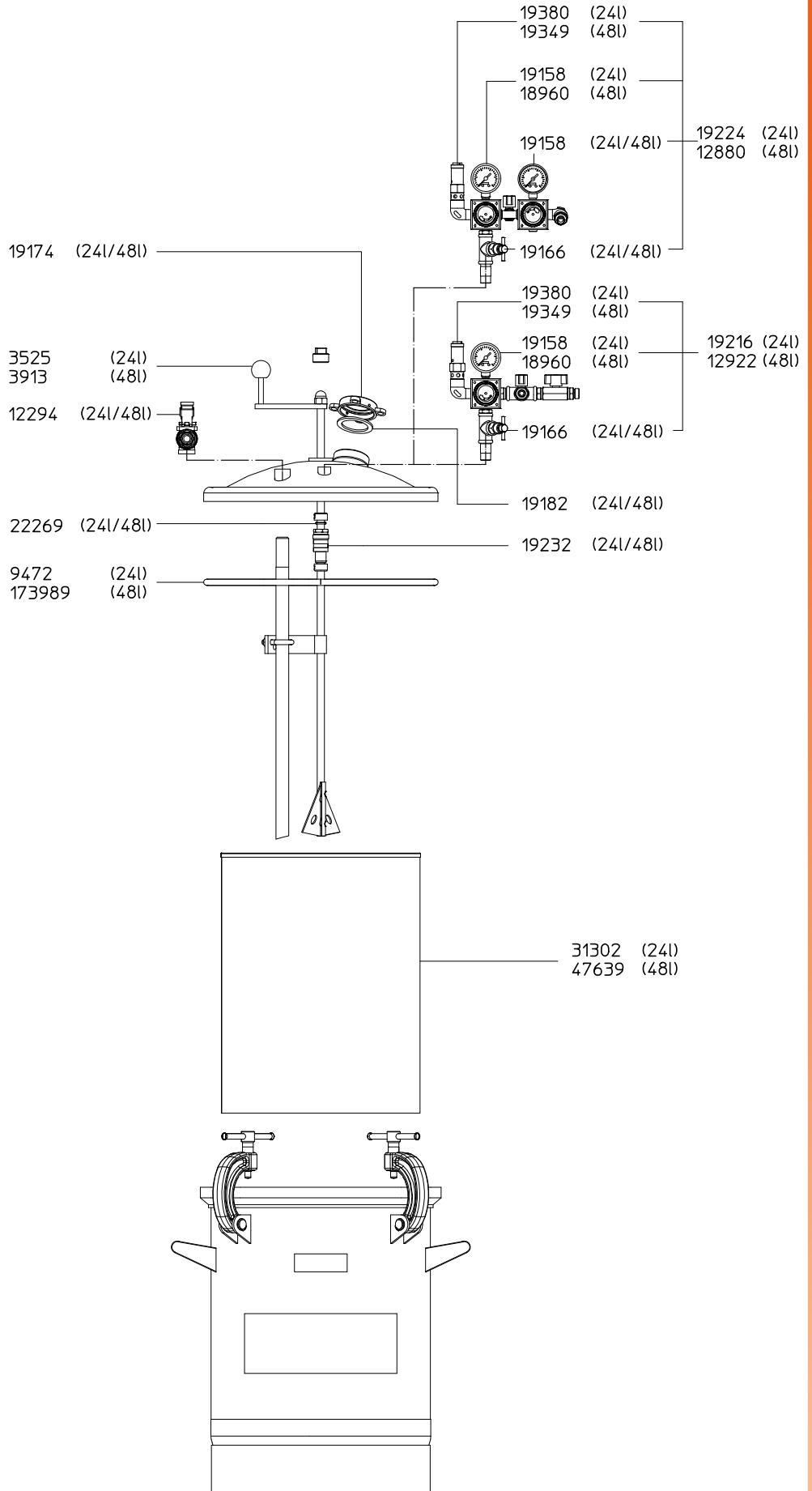
# Spare Parts SATA® Paint Pressure Tanks 24 l / 48 l

## SATA paint pressure tank FDG 24 N

Art. No./Descr.
3525 Hand agitator, cpl., stainless steel
9472 Sealing ring, EPDM profile string green
12294 Material outlet, stainless steel, 1/2" male thread
19158 Pressure gauge 0 - 10 bar, 50 mm
19166 Air release valve, cpl. 3/8" (male thread)
19174 Lid for filler neck
19182 Gasket for filler neck
19224 Double pressure reducer, cpl. with pressure gauge and safety valve 6.0 bar
19232 Stuffing box (packing unit 1 piece) for manual agitation
19380 Safety valve PN6, 3/8" male thread
22269 O-ring
31302 Insert pot, stainless steel
19216 Single pressure regulator, cpl. with pressure gauge and safety valve, max. pressure 6.0 bar

## SATA paint pressure tank FDG 48 N

Art. No./Descr.
3913 Hand agitator, cpl., stainless steel
12294 Material outlet, stainless steel, 1/2" male thread
12880 Double pressure reducer, cpl. with pressure gauge and safety valve 4.0 bar
12922 Single pressure regulator, cpl. with pressure gauge and safety valve, max. pressure 4.0 bar
18960 Pressure gauge 0 - 6 bar, 50 mm, red marking at 4 bar
19158 Pressure gauge 0 - 10 bar, 50 mm
19166 Air release valve, cpl. 3/8" (male thread)
19174 Lid for filler neck
19182 Gasket for filler neck
19232 Stuffing box (packing unit 1 piece) for manual agitation
19349 Safety pressure relief valve G 3/8, set to 4 bar for SATA 48
Euro- pressure pot
22269 O-ring
47639 Insert pot, stainless steel
173989 Sealing ring



All prices are recommended list prices. Errors, technical modifications and printing errors reserved.




# SATA® vario top spray™



## SATA vario top spray

<b>Technical Data</b>	Pump ratio: 1:1	
	Material pressure: 8.0 bar	
	Material flow volume (at 220 double strokes): 32 l/min.	
	Air inlet pressure min.: 1.0 bar	
	Air inlet pressure max.: 8.0 bar	
Version and weight without add-on components:		Aluminium: 6 kg Stainless steel: 12 kg

## Aluminium versions

81661	SATA vario top spray S, double diaphragm pump 1:1, with stand, material fine pressure regulator, suction tube and 1 spray gun connection, without spray gun and hoses	
61507	SATA vario top spray W, double diaphragm pump 1:1 wall mounted version, with material fine pressure regulator, suction tube and 1 spray gun connection, without spray gun and hoses	
61515	SATA vario top spray F, double diaphragm pump 1:1 on trolley, with material fine pressure regulator, suction tube and 1 spray gun connection, without spray gun and hoses	
63974	SATA vario top spray F, double diaphragm pump 1:1, mobile, with material fine pressure regulator, suction tube + 2. gun connection, without spray gun and hoses	
138941	SATA vario top spray FFB, double diaphragm pump 1:1, on trolley, with gravity flow container, material fine pressure regulator, without suction tube, 1 spray gun connection, without spray gun and hoses	
62745	SATA vario top spray FFB, double diaphragm pump 1:1, on trolley, with gravity flow container, material fine pressure regulator, suction tube, 1 spray gun connection, without spray gun and hoses	

## Versions - pump and material passages made of stainless steel

81406	SATA vario top spray S, double diaphragm pump 1:1, stainless steel version, stand, material fine pressure regulator, suction tube and 1 spray gun connection, without spray gun and hoses	
72678	SATA vario top spray W, double diaphragm pump 1:1, stainless steel version, for wall mounting, with material fine pressure regulator, suction tube and 1 spray gun connection, without spray gun and hoses	
72694	SATA vario top spray F double diaphragm pump 1:1, stainless steel version, on trolley, with material fine pressure regulator, suction tube and 1 spray gun connection, without spray gun and hoses	
138958	SATA vario top spray FFB, double diaphragm pump 1:1, stainless steel version, on trolley, with gravity flow container, fine material pressure regulator, without suction tube and 1 spray gun connection, without spray gun and hoses	
95109	SATA vario top spray FFB, double diaphragm pump 1:1, stainless steel version, on trolley, with gravity flow container, material fine pressure regulator, suction tube and 1 spray gun connection, without spray gun and hoses	

Hoses and hose pairs see pages 120 and 121.

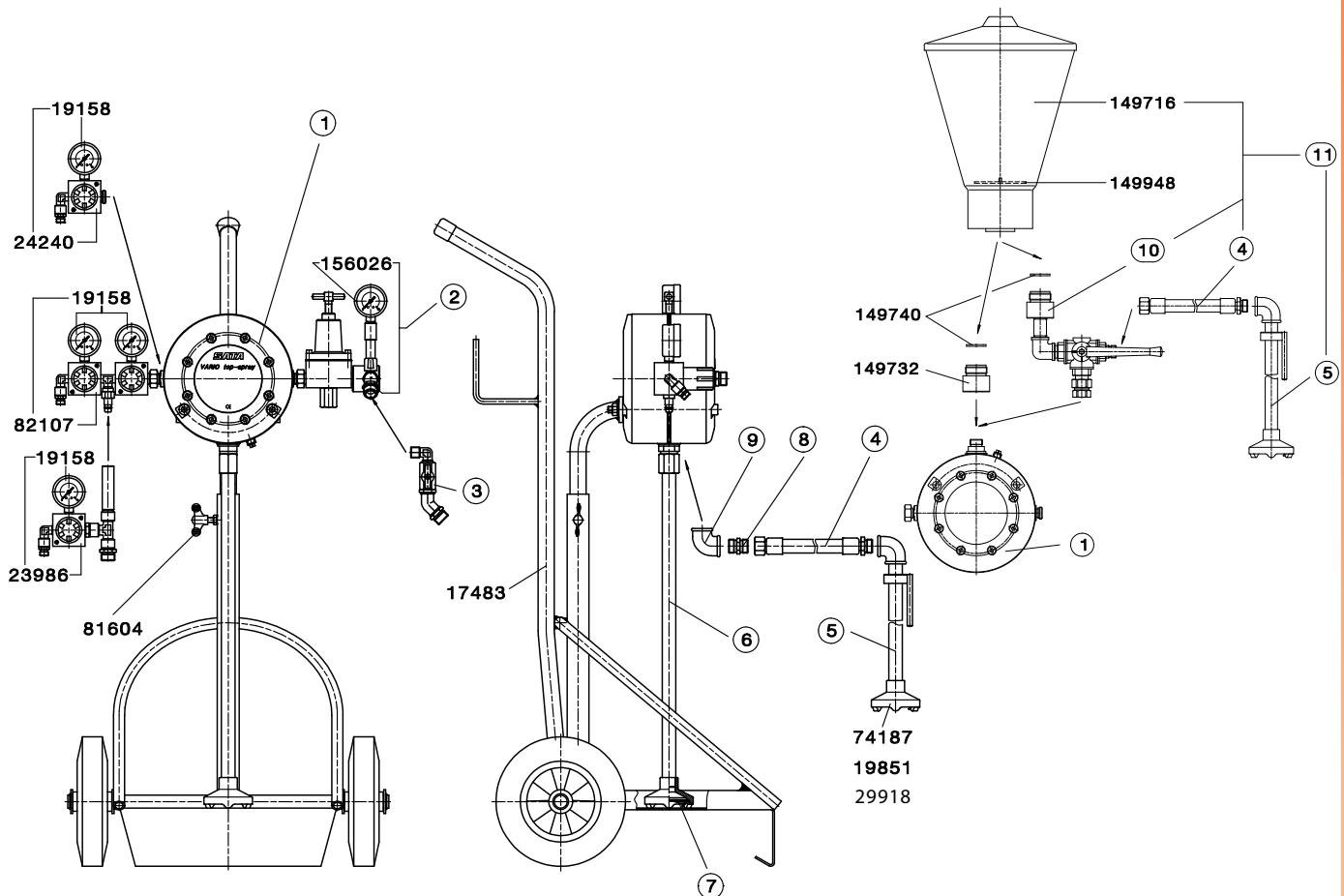
All prices are recommended list prices. Errors, technical modifications and printing errors reserved.

# Spare Parts SATA® vario top spray™

Art. No./Descr.
17483 Trolley, cpl.
19158 Pressure gauge 0 - 10 bar, 50 mm
19851 Sieve hose (packing unit 10 pieces)
23986 Air connection for second spray gun, cpl.
24240 Single pressure regulator, cpl. with pressure gauge 0 - 10 bar
74187 Suction globe, cpl. version for waterborne materials
81604 Wing-shaped handle for stand, SATA pumps and dry-jet
82107 Double pressure reducer, cpl. with pressure gauge 0 - 10 bar
149716 Gravity flow cup 6 l with lid
149732 Container stud
149740 Gasket for gravity container
149948 Flat sieve 20 mesh (packing unit 2 pieces)
156026 Pressure gauge 0 - 6 bar, 50 mm, G 1/4
29918 Circlip for suction globe Spray-Mix, Vario-Top-Spray and Multi-Top

	Standard	Stainless steel version
1	61192 Double diaphragm pump 1:1, coated version, material connection M 25 x 1.5, male thread, air inlet 1/4" (male thread), grounding cable	88641 Double diaphragm pump 1:1, stainless steel, material connection M 25 x 1.5 male thread, air inlet 1/4" (male thread), without grounding cable
2	24422 Material fine pressure regulator, cpl.	25338 Material fine pressure regulator, cpl., stainless steel
3	72918 Material connection for second spray gun, cpl. for material fine pressure regulator	57570 Material connection for second spray gun, stainless steel, cpl. for material fine pressure regulator
4	62232 Suction hose, cpl.	45047 Suction hose, cpl., connections stainless steel
5	73866 Suction pipe, cpl. with suction globe and sieve insert	74203 Suction pipe, cpl. stainless steel
6	79921 Suction pipe, cpl. with suction globe and sieve insert	80879 Suction pipe, cpl. stainless steel
7	74245 Sieve unit, mesh size 1.0, f. SATA VARIO top-spray, f. water borne paints	
	74237 Sieve unit, mesh size 0.5, f. SATA VARIO top-spray, f. water borne paints	
8	41384 Threaded nipple 1/2" (male thread), galvanised	82941 Double nipple 1/2" male thread, stainless steel
9	41368 Angle G 1/2" (female thread), galvanised	56564 Angle 90°, stainless steel
10	82909 Conversion set for gravity container SATA Top-Spray	74211 Conversion kit for gravity flow container SATA VARIO top-spray, f. water borne paints
11	37986 Add-on kit gravity container PVC 6 l, cpl. with 3-way ball valve and holder	37226 Add-on kit gravity container PVC 6 l version for waterborne paint, cpl. with 3-way ball valve and holder

All prices are recommended list prices. Errors, technical modifications and printing errors reserved.



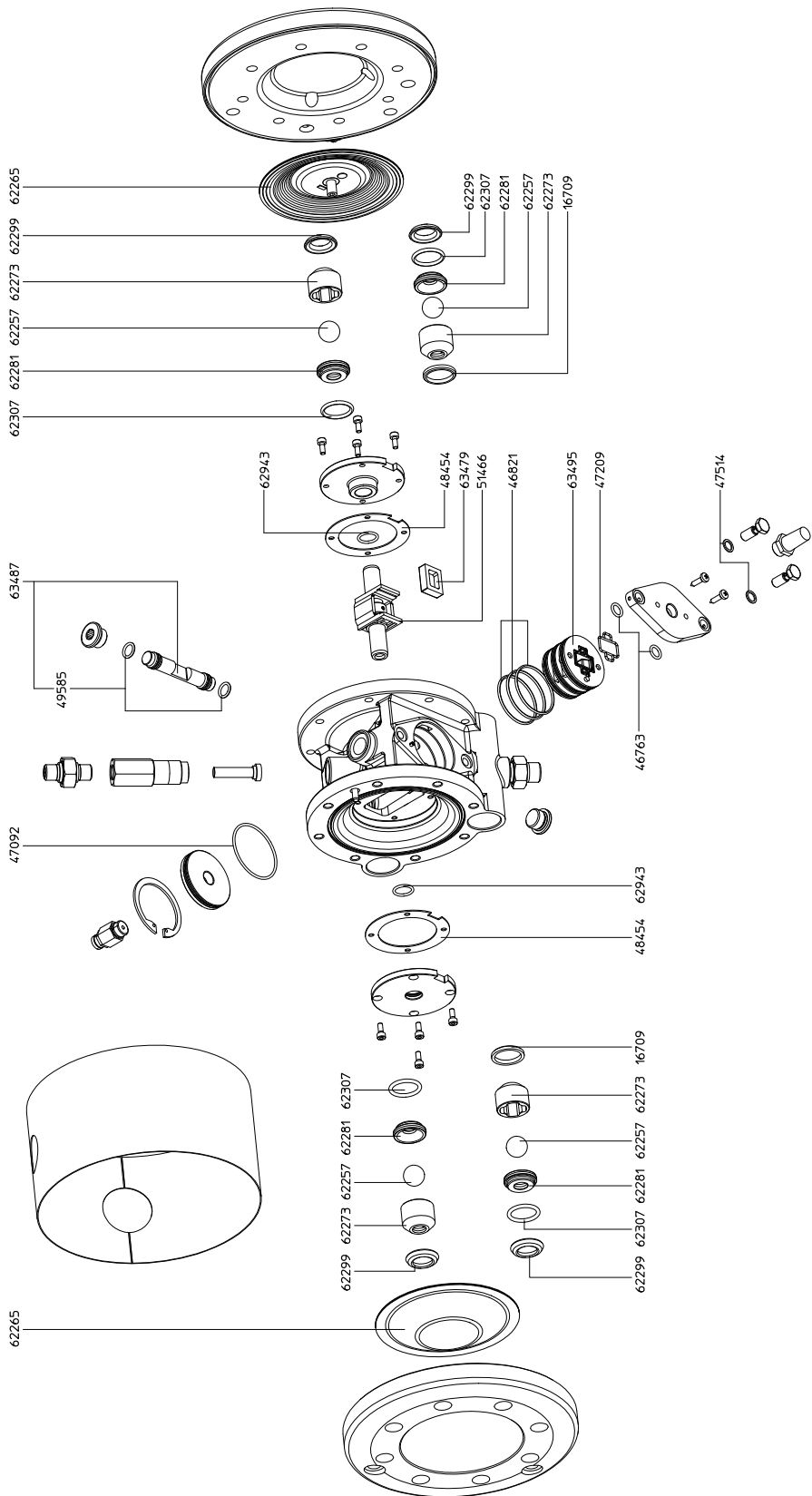
# Spare Parts SATA® vario top spray™Pumps

Art. No./Descr.	Kit
45195 Sealing kit	1
60012 Repair kit diaphragm (packing unit 2 pieces)	2
60038 Repair kit control	3
60228 Repair kit valves	4
60301 Repair kit for carrier rod	5
60657 Repair kit carrier	6

We generally recommend using aforementioned seal and repair kits as well as exchanging all essential seals and components

### Single components of the seal and repair kits:

Art. No./Descr.	Contained in the kit:
16709 Gasket	4
46763 O-ring	1 3 5
46821 O-ring	1 3 5
47092 O-ring	1
47209 Shape seal for double diaphragm pump Top-Spray	1 3
47514 Sealing ring	1 3 5
48454 Flat seal D 72 x T 1 for double diaphragm pump Top-Spray	1 6
49585 O-Ring 10 x 2 mm, made from Perbunan 70 shore for silencer SATA breathing mask (No. 80-4130)	1
51466 Driving pin for double diaphragm pump Top-Spray	6
62257 Ball	4
62265 Diaphragm complete D123 for SATA Top-Spray double diaphragm pump	2
62273 Ball-bearing for Vario-Top-Spray double diaphragm pump	4
62281 Valve seat D12 short for Vario-Top- Spray double diaphragm pump	4
62299 Profile packing 17,2 x 28,2 x 5,4 for double diaphragm pump Vario-Top- Spray	1 2 3 4 5 6
62307 O-ring	1 4
62943 O-ring	1 6
63479 Flat valve 24 x 19 mm, for SATA Top- Spray double diaphragm pump	3
63487 Carrier rod D 13, 9L, for SATA Vario Top-Spray double diaphragm pump, complete with O ring 10,82 x 1,78	5
63495 Valve seat D 48 mm for SATA Vario- Top-Spray double diaphragm pump	3

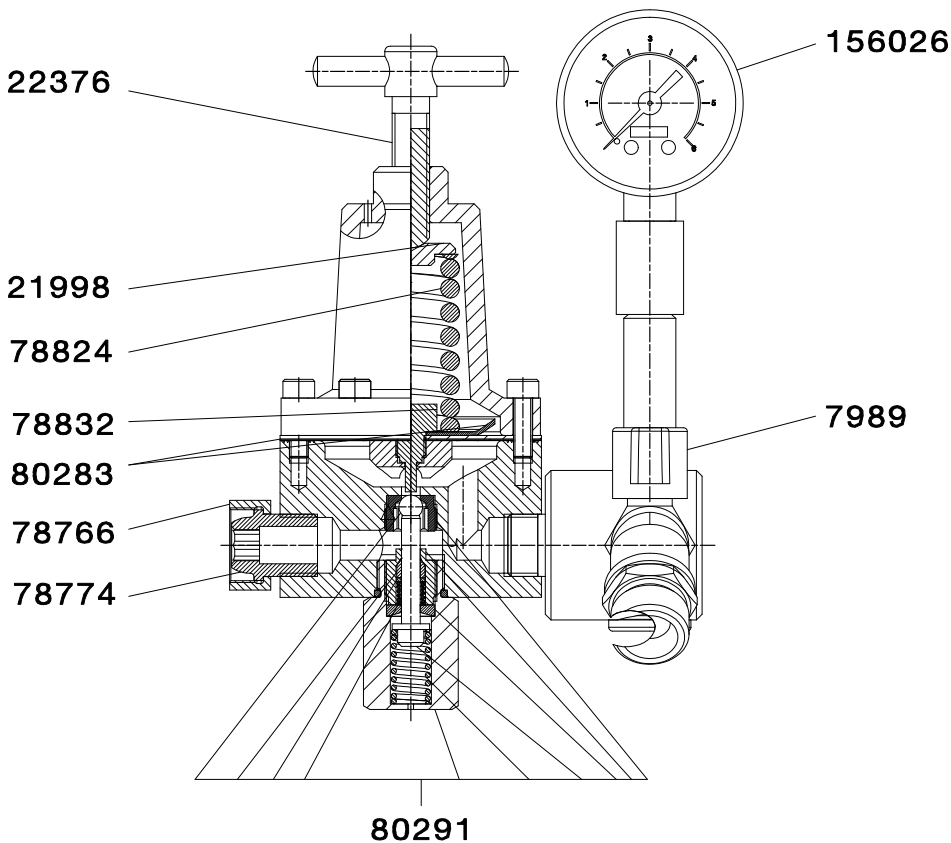


All prices are recommended list prices. Errors, technical modifications and printing errors reserved.

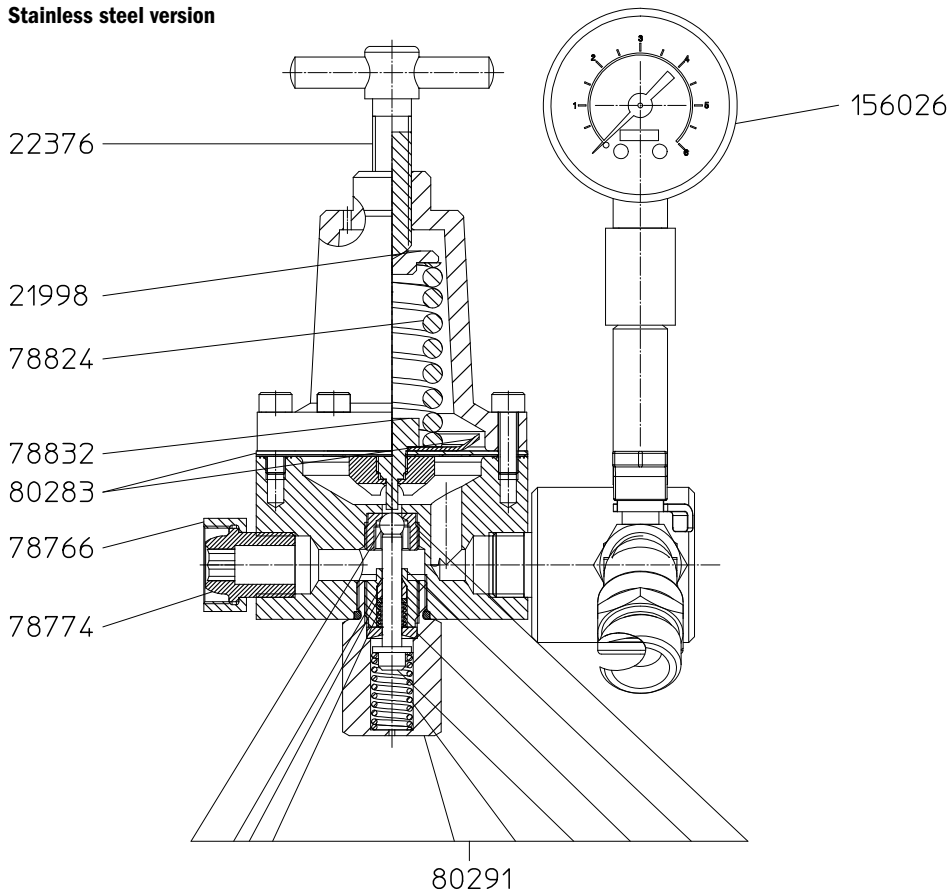
# Spare Parts Material Fine Pressure Regulator

Art. No./Descr.
7989
Ball tap (Teflon) G 3/8" (female thread)
21998
Pressure plate
22376
Compression screw
78766
Sleeve nut for ball valve
78774
Insert part for material fine pressure regulator SATA vario top spray
78824
Pressure spring for material fine pressure regulator SATA vario top spray
78832
Tappet for material fine pressure reducer Vario-Top-Spray
80283
Diaphragm
80291
Plunger kit, cpl.,
156026
Pressure gauge 0 - 6 bar, 50 mm, G 1/4

## Standard version






## Stainless steel version



All prices are recommended list prices. Errors, technical modifications and printing errors reserved.

## Grit Blasting Equipment / Blow Guns

Grit blasting equipment		
17335	SATA grit blasting gun super version spraying pipe c/w carbide insert	
39172	SATA sand blasting-set: sand blast. gun c/w carbide pipe, mask and gloves	
38166	SATA grit blasting set SGE with trolley, with grit blasting gun with carbide pipe, mask, container, w/o grit material	

Blow guns		
15156	SATA blow gun with standard nozzle (blow gun)	
26070	Standard nozzle for SATA blow gun 15156 (blow gun)	
15180	SATA blow gun with low noise metal nozzle and quick coupling nipple (blow gun)	
77586	Special low noise nozzle for SATA blow gun 15180 (blow gun)	
15214	SATA blow gun with multi nozzle and quick coupling nipple (blow gun)	
26047	Metal-multi-nozzle M 14x1 for SATA blow gun 15214 (blow gun)	
133306	SATA turbo blow with quick coupling nipple (blow gun)	

All prices are recommended list prices. Errors, technical modifications and printing errors reserved.

# Spare Parts Grit Blasting Equipment

Art. No./Descr.
12831 Hexagon nut M 14 x 1.5, galvanised
17699 SATA HMO head protection hood
21154 Blast pipe w. carbide insert f. SATA grit blasting gun
21220 Hose olive with 1/4" (male thread)
21444 0.6 l plastic suction cup without lid
21451 Lid for 0.6 l PVC suction cup
27631 Ball tap (Teflon) 1/4" (male thread) x G 1/4" (female thread)
27722 SGE Air hose 9 mm ID, length 10 m
27730 SGE paint hose 6 mm ID, length 5 m with ascension pipe
27755 Ascending pipe, only for SGE set
33696 Lid, cpl.
38141 SATA SGE gun with carbide spray pipe
64394 Plastic disc (5 pieces)
64402 Glass visor screen (5 pieces)
36194 SGE container f. grit blasting material, empty

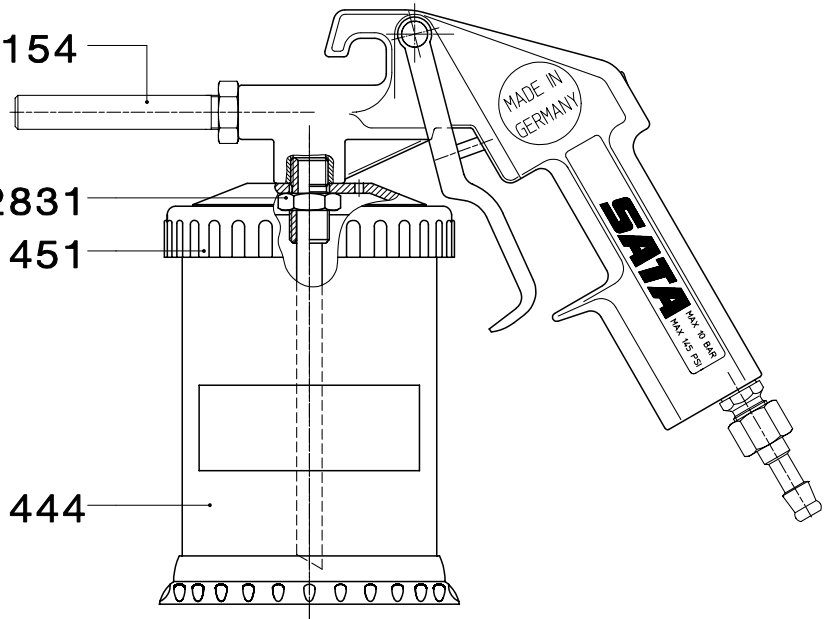
## # 17335

21154

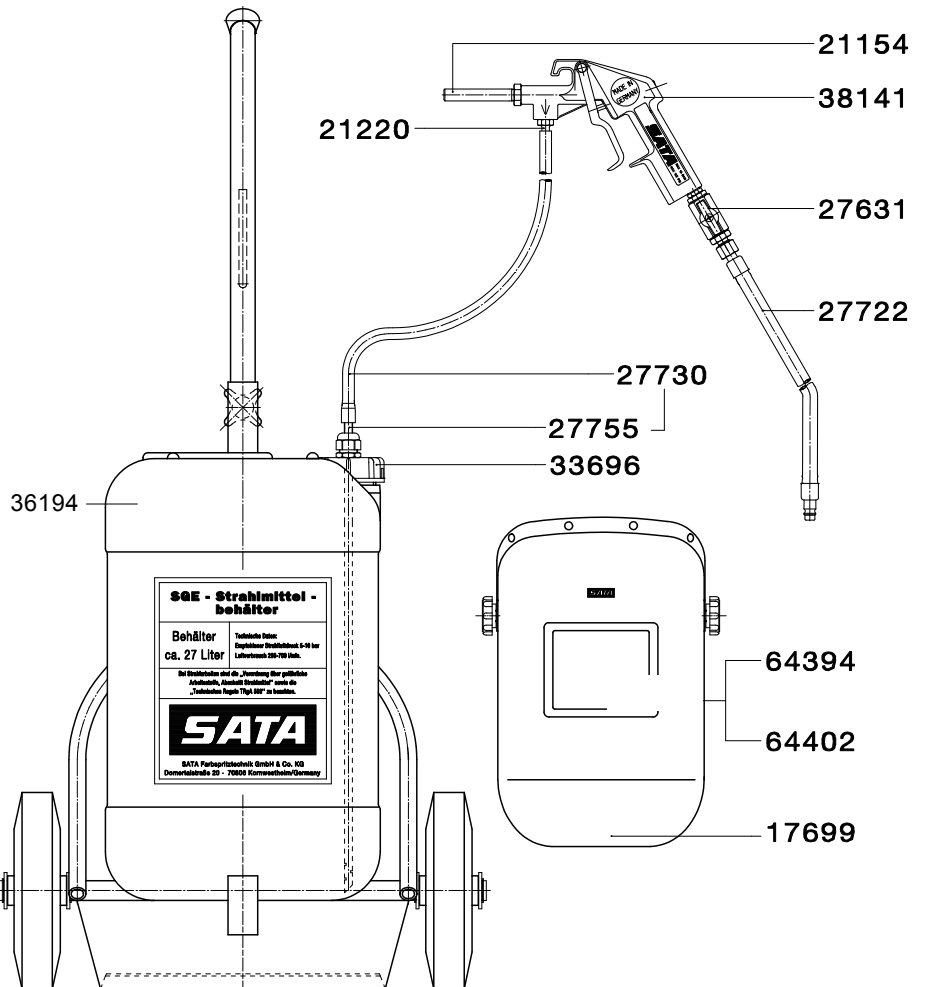
12831

21451

21444









## # 38166



All prices are recommended list prices. Errors, technical modifications and printing errors reserved.

# Rustproofing Equipment

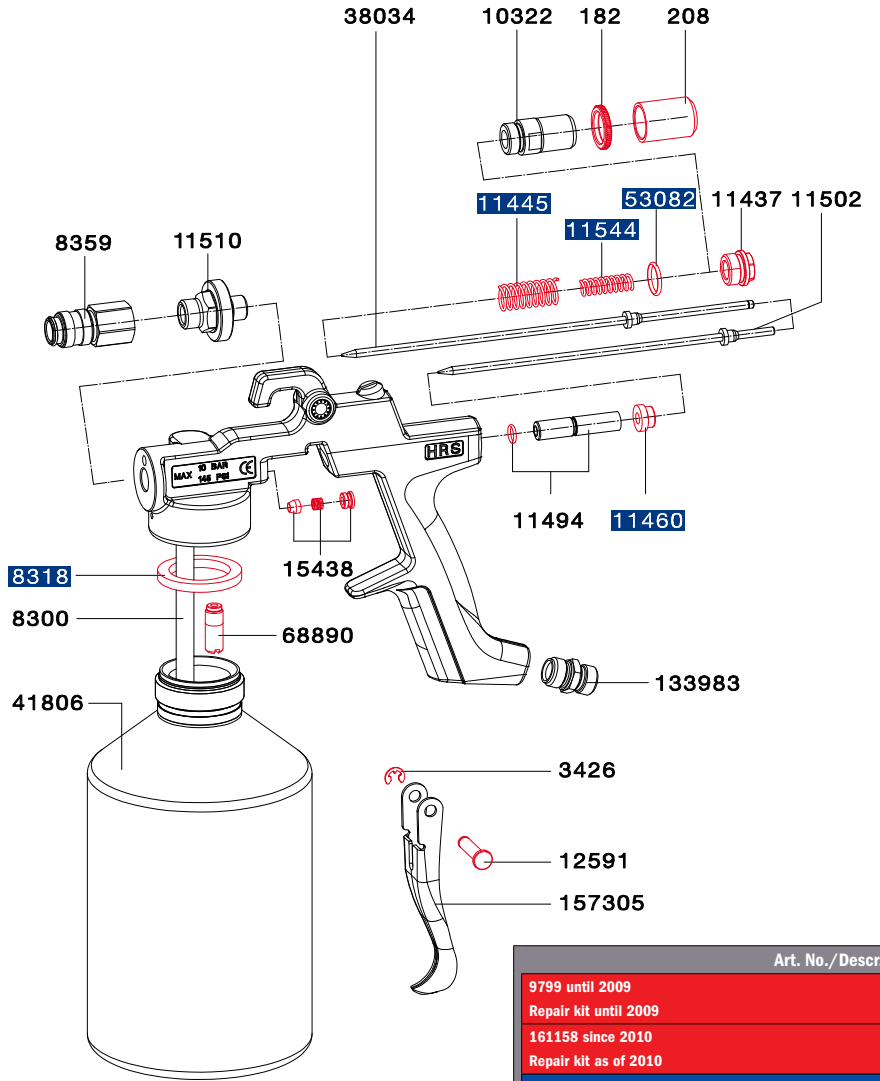
Cavity Preservation		
9795	SATA HRS pressurised cup gun with 1.0 l cup (max. 10 bar), without material flow control, flexible nylon and hook wand (16113 and 16139) as well as fix door wand (16071)	
12658	SATA HRS pressurised cup gun with 1.0 l cup (max. 10 bar), material flow control, without wands	
11072	SATA HRS pressurised cup gun with 1.0 l cup (max. 10 bar), without material flow control, without wands	
77347	SATA HRS-E/DINOL, with material flow control, with coupling 8359 and 1.5 l pressurized cup	
172882	SATA HRS-E pressurised cup spray gun for cavity preservation and underbody protection from disposable containers, with material flow control, round spray nozzle, hook and nylon wand	
207290	SATA HRS E pressurised cup spray gun with 1.5 l cup (max. 10 bar) for cavity preservation and underbody protection from disposable containers, with material flow control, hook wand 16139 and nylon wand 16113 as well as round spray nozzle	
16071	Door wand, steel 1100 mm long, Ø 8 mm, with rotary nozzle 360° and spraying forward	
196832	Door wand, steel 150 mm work length, Ø 8 mm, with rotary nozzle 360° rotary fan and spraying forward, with flexible guideway hose 1000 mm	
16105	Nylon wand, flexible, 1500 mm long, Ø 6 mm, with rotary nozzle 360°	
16113	Nylon wand, flexible, 1300 mm long, Ø 8 mm, with rotary nozzle 360° rotary fan and spraying forward	
11866	Venturi hook wand Ø 5 mm, with flexible guide hose, Venturi spray tube for cavity and surface application	
206904	Venturi hook wand Ø 5 mm, hook nozzle cpl. in 300 m length, with flexible guide hose, Ventury spray tube, for cavity and surface application	
11874	Nylon wand, flexible, 1500 mm long, Ø 6 mm, with rotary nozzle 360°, diagonally spraying forward and backward	
51185	Nylon wand, semirigid 1500 mm long, Ø 6 mm, with rotary spray nozzle 360° and spraying diagonal forward and backward	
16139	Venturi hook wand, Ø 7 mm, with flexible guiding hose, Venturi spray tube for cavity and surface application	
24372	Hook wand Ø 5mm, with flexible guide hose, hook flat nozzle, for cavity and surface application	
25486	Round spray nozzle for HRS, conn. I	
198762	Round spray nozzle for surface application with flexible guide hose for underbody protection	
8359	Free passage type quick coupling for HKD1, LM/KK, HRS, connection I	
16048	SATA quick coupling nipple 1/4" (male thread) for wands	
Barrel pump unit for cavity preservation		
14555	SATA HKU 60 l barrel pump unit cpl., consisting of piston pump 1:3, with hose pair 10 m, SATAjet 1000 KK spray gun, nylon, door and hook wand	
34389	SATA HKU 200 l barrel pump unit, cpl., consisting of piston pump 1:3 with hose pair 10 m, SATAjet 1000 KK spray gun, nylon, door and hook wand	
Technical data, accessories and spare parts upon request.		
153700	SATAjet 1000 KK RP nozzle 1.5 with paint tube, 1/4" (male thread) with coupling (Art.-No. 8359)	
Underbody protection		
12740	SATA UBE gun type I, for underbody coating with one-way cans	
Barrel pump unit for underbody protection		
128561	SATA spray mix underbody protection system 1:22, hose pair 10 m, SATAjet 3000 K spray mix gun nozzle 3350, for 60/200 ltr. barrel	

All prices are recommended list prices. Errors, technical modifications and printing errors reserved.

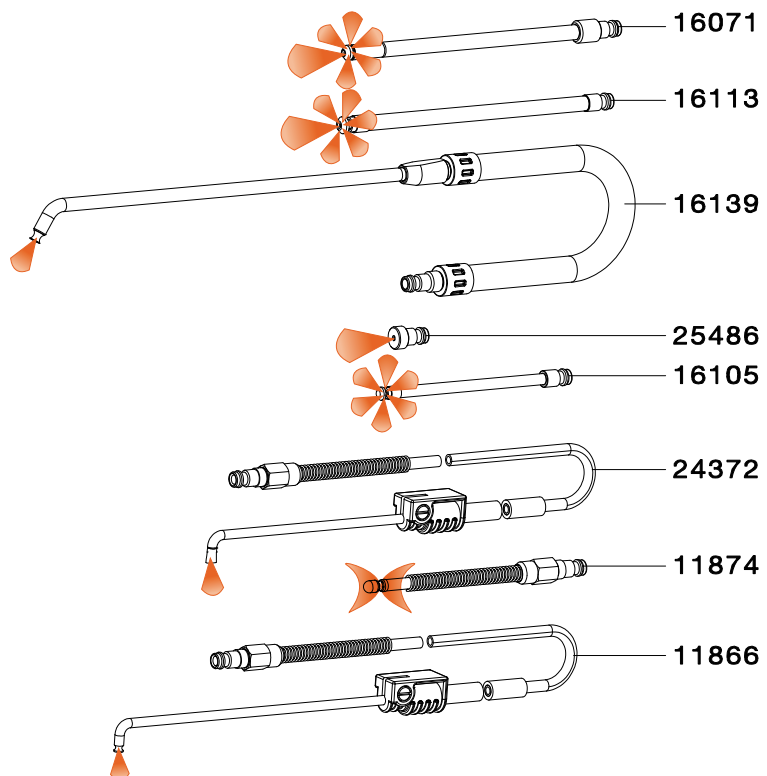


# Spare Parts SATA® HRS™

Art. No./Descr.
182
Counter nut
208
Material flow control nut
3426
Safety washer 4 mm DIN 6799 stainless steel for trigger
8300
Suction pipe
8318
Sealing ring
8359
Free passage type quick coupling for HKD1, LM/KK, HRS , connection I
10322
Guide sleeve complete, for HRS with material flow control
11437
Closing screw
11445
Pressure spring for air piston
11460
Air piston for
11494
Cam rod HRS, complete with O-ring
11502
Paint needle 1.5
11510
Mixing cap HRS, completely machined
11544
Pressure spring for paint needle
12591
Bracket bolt
15438
Paint needle packing
38034
Paint needle, cpl., for HRS, with needle stroke and minimum passage control
41806
1.0 l aluminium pressure pot, max. pressure 10 bar/150 psi, cpl. with threaded ring
53082
O-ring
68890
Inflow valve
133983
Air connection piece 1/4" male thread
157305
Trigger



Art. No./Descr.
9799 until 2009
Repair kit until 2009
161158 since 2010
Repair kit as of 2010
35204
Wear-and-tear parts kit for HRS



All prices are recommended list prices. Errors, technical modifications and printing errors reserved.

# SATA anti-dust® jet™ X





## Anti-static Gun

Technical Data	Explosion-proof. ATEX-category 2+3 or zone 1+2, resp.
Active principle ensuring the cleaning effect	Rotating nozzle with pulsating air fan
Effective distance	up to 0.5 m
Inlet pressure	4 - 5 bar
Air consumption at 4 bar (58 psi)	250 NI/min
Noise level at 4 bar	81.4 db
Weight	approx. 0.8 kg

## Power supply for SATA anti-dust jet X




Dimensions (H x W x D)	230 x 140 x 82 mm
Weight	approx. 4 kg
Input voltage	230 V
Cable length	approx. 2.5 m with shock-proof plug
Connections for anti-static gun	5

## SATA anti-dust jet X

185280	SATA anti-dust jet X with rotating nozzle, high voltage electrode, cable 10 m and power supply	
185553	SATA anti-dust jet with rotating nozzle, high voltage electrode without power supply	

Versions with 5 m, 15 m and 20 m cable lengths are available upon request.

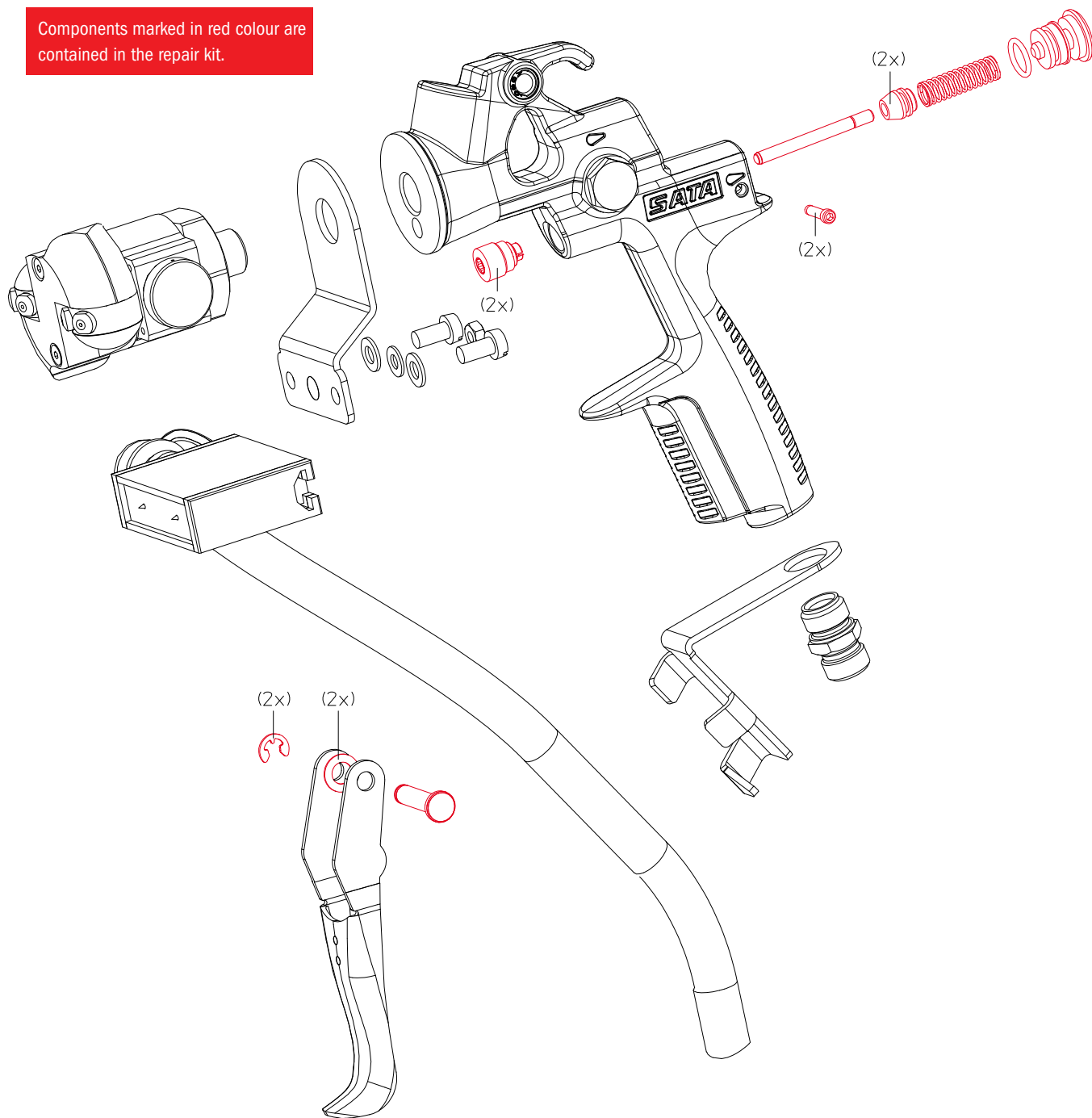
## Accessories

187997	SATA anti-dust dock	
92320	SATA filter 484 triple-stage sinter filter/fine filter/activated charcoal with pressure regulator and outlet module (2 x 1/4" male thread)	
53090	SATA air hose, blue, 9mm, 10 m with quick coupling, red and nipple	

All prices are recommended list prices. Errors, technical modifications and printing errors reserved.

# Spare parts SATA anti-dust® jet™ X





Components marked in red colour are contained in the repair kit.



All prices are recommended list prices. Errors, technical modifications and printing errors reserved.

Art. No./Descr.	Euro
189159	42.50 (6)
Repair kit	

# SATA Cleaning Systems

	Intermediate Cleaning			Final Cleaning
<b>Available versions</b>	 <b>SATA clean RCS</b>	 <b>SATA clean RCS compact</b>	 <b>SATA clean RCS micro</b>	 <b>SATA multi clean 2</b>
<b>Art. No.</b>	145581	192518	202564	38257
<b>Technical Data</b>				
Dimensions (w x h x d) in mm	310 x 705 x 225	310 x 465 x 225	185 x 465 x 205	660 x 1000 x 380
Inlet pressure	6.0 bar - 8.0 bar	4.0 bar	4.0 bar	5.0 bar - 6.0 bar
Air consumption	135 NI/min per cleaning process including drying cycle			270 NI/min per cleaning process
Air connection	1/2 ' male or G 1/4 ' female thread	1/4 ' male thread		G 1/4 ' female thread
Container for cleaning agent	2x RPS cups; alternatively: retrofit kit for external pick-up and recirculation of cleaning agent from two bulk containers (Art. No. 189472)	2 containers (not included in delivery)		2 containers of each 15 litres
Required time per cleaning	approx. 25 sec			max. 3 min
Rinsing agent volume per cleaning process	approx. 140 ml			max. 200 ml
Type of cleaning agent	Water, solvent-based or combination cleaner			Water, solvent-based or combination cleaner
External pick-up and recirculation of cleaning agent for bulk containers	○	●	●	●
Manual cleaning	●	●	●	●
Automatic cleaning	–	–	–	●
Integrated drying	●	●	●	–
Blow-off device	●	●	●	●
Number of cleaning/drying chambers	2	2	1	1
Installation location	Spray booth	also in the mixing room/area outside the spray booth		Mixing room/Area in front of the spray booth
The spray gun can remain connected to the air line during the cleaning process	●	●	●	–

● Standard | ○ Optional | – non-existing/not required








All prices are recommended list prices. Errors, technical modifications and printing errors reserved.

# SATA® clean RCS™ (compact, micro), SATA® multi clean™ 2









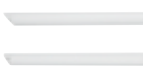
## Accessories and spare parts SATA clean RCS

					
		SATA clean RCS	SATA clean RCS compact	SATA clean RCS micro	

## Recommended connection accessories (depending on the installation method)

10934	Ball tap (Teflon) 1/2" male thread for air inlet	x	—	—	
146514	SATA air hose, blue, 13 mm, 0.5 m, G 1/2" (female thread), one connection included	x	—	—	
13870	SATA air hose, blue, 9mm, 1.2 m with quick coupling, red and nipple	x	x	x	
53090	SATA air hose, blue, 9mm, 10 m with quick coupling, red and nipple	x	x	x	
13581	SATA quick coupling G 3/8" (female thread)	x	—	—	
13623	SATA quick coupling 1/4" (male thread)	x	—	—	
192633	Add-on kit: Suction hose for solvent vapours	x	x	x	

## Other accessories/spare parts

9886	SATA gravity gun holder for gravity cup spray guns	x	x	—	
192195	SATA universal spray gun and hose holder	x	x	—	
6981	SATA quick coupling nipple G 1/4" (female thread) (packing unit 5 pieces)	—	x	x	
53942	Nipple G 1/4 f. GS respirator, UBE + blow-off gun, size 14	x	—	—	
189472	Conversion kit external cleaning agent - suction and recirculation	x	x	x	
146985	Repair kit	x	x	x	
146993	Splash guard with fixing rivet (each 5 pieces)	x	x	x	
147082	Grounding cable, 3 m, 4 mm <sup>2</sup>	x	x	x	
153965	Hose 8 x 1, 95 mm (packing unit 2 pieces)	x	x	x	

## Accessories and spare parts SATA multi clean 2

21188	Pressure reducer with gauge 0 - 10 bar				
26815	Flexible aluminium tube, 5 m long, complete with two tube fittings, for suction unit SATA multi-clean-2				
38042	Filter mat				
40840	Cup lid cleaning unit for gun washing equipment SATA multi-clean				
48330	Blow cycle knob with valve, cpl.				
40907	Spring clasp (packing unit 3 pieces)				
49072	Cleaning agent container without lid				

All prices are recommended list prices. Errors, technical modifications and printing errors reserved.

NEW




# SATA® trueSun



## SATA trueSun

<b>Technical Data</b>	Battery operating time: 60 - 70 min.
	Weight: approx. 470 g
	Charging time: 50 min.

## Available versions

1006411	SATA trueSun, incl. battery charger and battery, EU	
1012129	SATA trueSun, incl. battery charger and battery, USA	
1013094	Case SATA trueSun, incl. foam inlay	
1013151	Foam inlay with pinched inlay for case SATA trueSun	

## Spare parts

1012096	Shock protection
1010082	Battery charger
1012137	Protective glass
1007154	Battery charger EU
1006445	Battery charger USA



1006445



1007154

All prices are recommended list prices. Errors, technical modifications and printing errors reserved.

# SATA® dry jet 2™



## SATA dry jet

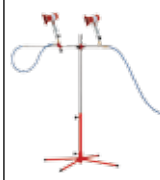
### Technical Data

Air consumption: 270 l/min
Inlet pressure: 2.5 bar
Max. inlet pressure: 12.0 bar

### Available versions

217489	SATA dry jet 2 blow gun	
--------	-------------------------	---

### SATA dry jet stand (adjustable height: 30 - 190 cm)

223008	SATA dry jet 2 stand with height-adjustable bracket, 2 blow guns	
84145	Height extension approx. 120 cm, stainless steel for SATA dry jet stand	
86140	Extension for SATA dry jet 97 stand with third blow gun	

### Accessories and spare parts

82198	Stand for SATA dry jet without blow guns
83840	Stand, complete, for Vario-Top-Spray and dry-jet, can be disassembled
84145	Height extension approx. 120 cm, stainless steel
86140	Extension for SATA dry jet 97 stand with third blow gun
86165	Conversion kit for SATA dry jet, adjustable version
123786	Cross piece, cpl. for dry-jet 2
222125	Spare flat sieve 125 µm, pastel blue (packing unit 10 pieces)
222232	Filter holder
223834	Flat fan nozzle

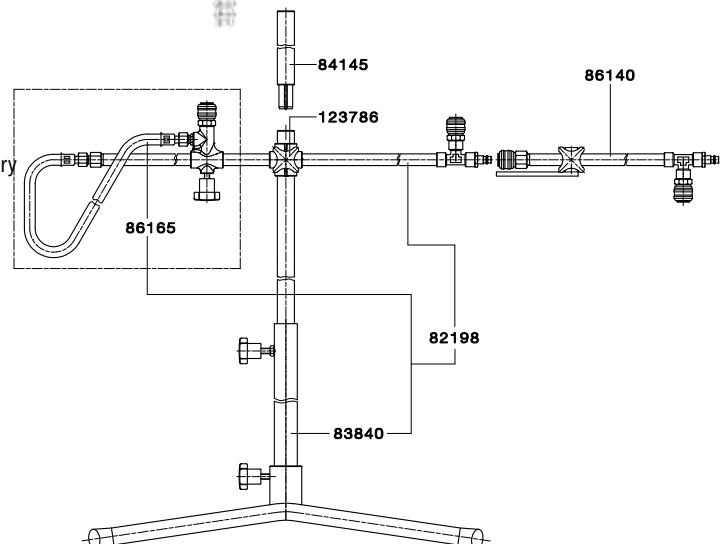
### SATA dry jet 2 Art. No. 217489

223834



### SATA dry jet stand Art. No. 223008

Illustration without SATA dry jet blow guns



All prices are recommended list prices. Errors, technical modifications and printing errors reserved.

# SATA® hoses Part I

Breathing air hoses, cpl. assembled*	
49080	Safety compressed air supply hose CE 10 mm, f. SATA respirators CE version, 6 m long, cpl. according to DIN EN 139/270
176792	Safety compressed air supply hose CE 10m ø 10 mm DIN EN 139/270 for SATA respirators
180851	Safety compressed air supply hose CE 40m, 10mm, DIN EN 139/270 for SATA respirators
13870	SATA air hose, blue, 9mm, 1.2 m with quick coupling, red and nipple
Air hoses, cpl. assembled*	
37655	SATA air hose, blue, 9 mm, 6 m with quick coupling, red and nipple
195420	SATA air hose, blue, 9 mm, 7.5 m with quick coupling, red and nipple
53090	SATA air hose, blue, 9mm, 10 m with quick coupling, red and nipple
189068	SATA air hose, blue, 9 mm, 15 m with quick coupling, red and nipple
9902	SATA air hose, blue, 9 mm, 10 m long, G 1/4" (female thread)
51300	SATA air hose, blue, 13 mm, 10 m long, G 1/2" (female thread) for SATA vario top spray and FDG with 2. spray gun outlet
4754	SATA air hose, blue, 6 mm, 10 m long with quick coupling and nipple
Air hoses for design spray guns**	
54353	SATA PVC air hose, transparent, 2 m long with mini quick coupling, nipple with G 1/4" (female thread) for SATAminijet 4400 B, minijet 3000 B and jet 20 B and quick coupling nipple
32987	SATA PVC compressed air hose, transparent, 3 m long with G 1/4" (female thread), mini quick coupling and nipple for SATAjet 20 B
134791	SATA Fibre air hose, 2.5 m long with G 1/4" (female thread), mini quick coupling for SATAgraph 1 / 2 / 3 (jet 20 B)
Hose pairs for SATA paint pressure tanks and SATA vario top spray*	
147520	SATA hose pair 9 x 9 mm, 6 m, with covering fabric netting, G 3/8" and G 1/2" (material), G 1/4" (air) (female thread) for SATA FDG and vario top spray
147512	SATA hose pair 9 x 9 mm, 10 m, with covering fabric netting, G 3/8" and G 1/2" (material), G 1/4" (air) (female thread) for SATA FDG and vario top spray
147504	SATA hose pair 9 x 9 mm, 15 m, with covering fabric netting, G 3/8" and G 1/2" (material), G1/4" (air) (female thread) for SATA FDG and vario top spray
19869	SATA hose pair 9 x 9 mm, 1.5 m, G 3/8" and G 1/4" (material), G 1/4" (air) (female thread) for SATA mini set 2
77834	SATA hose pair 9 x 9mm, 6 m, G3/8" and G1/2" (material, stainless steel connections), G1/4" (air) (female thread) for SATA FDG and vario top spray
77842	SATA hose pair 9 x 9 mm, 10 m, G 3/8" and G 1/2" (material, stainless steel connections), G 1/4" (air) (female thread) for SATA FDG and vario top spray
77859	SATA hose pair 9 x 9 mm, 15 m, G 3/8" and G 1/2" (material, stainless steel connections), G 1/4" (air) (female thread) for SATA FDG and vario top spray
3293	SATA hose pair 9 x 9 mm, 6 m, G 3/8" and G 1/2" (material), G 1/4" (air) (female thread) for industrial paints and glue
15453	SATA hose pair 9 x 9 mm, 10 m, G 3/8" and G 1/2" (material), G 1/4" (air) (female thread) for industrial paints and glue
97014	SATA hose pair 9 x 9 mm, 15 m, G 3/8" and G 1/2" (material), G 1/4" (air) (female thread) for industrial paints and glue
160994	Protective Sleeve for hose pair individual 6m
161000	Protective Sleeve for hose pair individual 10m
161018	Protective Sleeve for hose pair individual 15m
96677	SATA dual hose clamp, plastic for hose pairs 9 x 9 mm
7047	Hose clips (10 pieces) for air hose and material hoses, 9 mm

All prices are recommended list prices. Errors, technical modifications and printing errors reserved.



# SATA® hoses Part II and Quick Couplings

## Hose pairs for SATA material pressure tanks and SATAminijet 1000 K

187708	SATA hose pair 6 x 6 mm, 3 m, G 1/4" (female thread) (material and air) for SATA mini set 2
187716	SATA hose pair 6 x 6 mm, 6 m, G 1/4" and G 1/2" (material), G 1/4" (air) (female thread) for SATA FDG / SATA vario top spray
187724	SATA hose pair 6 x 6 mm, 10 m, G 1/4" and G 1/2" (material), G 1/4" (air) (female thread) for SATA FDG / SATA vario top spray
187732	SATA hose pair 6 x 6 mm, 15 m, G 1/4" and G 1/2" (material), G 1/4" (air) (female thread) for SATA FDG / SATA vario top spray

## Hose pairs and dual hoses for SATA spray mix units\*

19984	SATA spray mix hose pair, 6 x 4 mm, 5 m, G 1/4" (female thread) (material and air)
19992	SATA spray mix hose pair, 6 x 4 mm, 10 m, G 1/4" (female thread) (material and air)
20008	SATA spray mix hose pair, 6 x 4 mm, 15 m, G 1/4" (female thread) (material and air)
97022	SATA spray mix hose pair with covering fabric netting, 6 x 6 mm, 7.5 m, G 1/4" (female thread) (material and air)
97030	SATA spray mix hose pair with covering fabric netting, 6 x 6 mm, 15 m, G 1/4" (female thread) (material and air)

## Hose pairs for release agent systems\* (discontinuation in 2019)

64659	SATA hose pair 4 x 6 mm, 3 m, solvent-resistant for release agent spray gun SATAminijet 3000 B T
64998	SATA hose pair 4 x 6 mm, 3 m, not solvent-resistant for release agent spray gun SATAminijet 3000 B T

## Air hoses, unassembled\*

50252	SATA air hose, blue, 9 mm, 6 m
50591	SATA air hose, blue, 9 mm, 10 m
50641	SATA air hose, blue, 9 mm, 15 m

## Material hoses, unassembled\*

49155	SATA material hose, green 9 mm, 6 m
49999	SATA material hose, green, 9 mm, 10 m
50161	SATA material hose, green, 9 mm, 15 m

\* SATA hoses are antistatic, with an electrical resistance < 1MΩ and free of substances incompatible with paint

\*\* SATA hoses are free of substances incompatible with paint

## Individual components for the quick coupling system

6981	SATA quick coupling nipple G 1/4" (female thread) (packing unit 5 pieces)
7237	SATA quick coupling, red with hose olive 9mm and quick coupling nipple G 1/4" (female thread) (each 2 pieces)
13615	SATA quick coupling 1/2" (male thread)
13649	SATA quick coupling with hose olive 6 mm
13631	SATA quick coupling, red, with hose olive 9 mm
13623	SATA quick coupling 1/4" (male thread)
13599	SATA quick coupling G 1/4" (female thread)
13607	SATA quick coupling G 3/8" (male thread)
13581	SATA quick coupling G 3/8" (female thread)
13565	Connection piece 103/6 f. SATA quick coupling 103/6 f. 6 mm inside dia.
13557	Hose olive 9 mm for air quick coupling
13524	Nipple 1/8" (male thread) for SATA quick coupling
53942	Nipple G 1/4 f. GS respirator, UBE + blow-off gun, size 14
13508	Nipple 3/8" (male thread) for SATA quick coupling
13516	Nipple G 3/8" (female thread) for SATA quick coupling

All prices are recommended list prices. Errors, technical modifications and printing errors reserved.

# SATA® Painting Coveralls

SATA suit race		
184267	SATA suit race, size S (42/44), 98% Polyester, 2% Carbon	
184275	SATA suit race, size M (46/48), 98% Polyester, 2% Carbon	
184283	SATA suit race, size L (50/52), 98% Polyester, 2% Carbon	
184291	SATA suit race, size XL (54/56), 98% Polyester, 2% Carbon	
184309	SATA suit race, size XXL (58/60), 98% Polyester, 2% Carbon	
SATA suit space		
212035	SATA suit space, size S (42/44)	
212043	SATA suit space, size M (46/48)	
212050	Painting coverall made of rayon, silver grey, size L (50/52)	
212068	SATA suit space, size XL (54/56)	
212076	SATA suit space, size XXL (58/60)	
SATA suit grey		
221416	SATA suit grey, size M (48/50)	
143255	SATA suit grey, size L (50/52)	
5470	SATA suit grey, size XL (54/56)	
221440	SATA suit grey, size XXL (58/60)	
SATA suit white		
221432	SATA suit white, size M (46/48)	
129460	SATA suit white, size L (50/52)	
129445	SATA suit white, size XL (54/56)	
221424	SATA suit white, size XXL (58/60)	

All prices are recommended list prices. Errors, technical modifications and printing errors reserved.

NEW

# SATA® Multitool

## SATA Multitool

### Technical Data

Dimensions: 125 x 44 x 27 mm (closed)

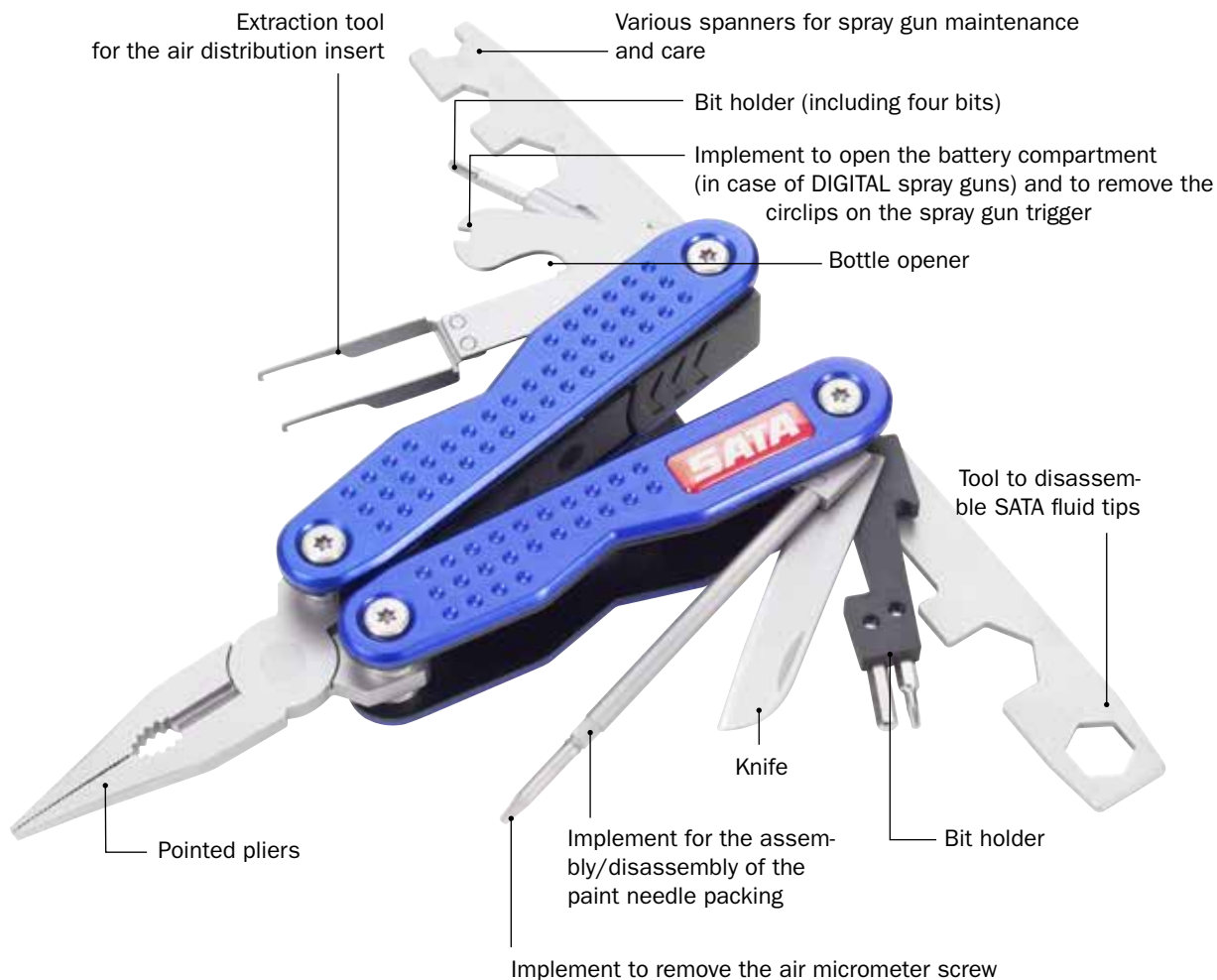
Weight: 528 g



### Available versions

228999

SATA Multitool



All prices are recommended list prices. Errors, technical modifications and printing errors reserved.









# SATA sets standards

... for spray guns, cup systems, breathing protection systems and compressed air filters.

Our close cooperation with painters in craft and industry as well as with the Research and Development divisions of the leading paint manufacturers enables us to create top quality products of ultimate value.

**"SATA Quality" is a trusted term among painters.** They know that SATA products are reliable, sturdy and ergonomic like a duck takes to water.

Together with our competent distribution partners both on the domestic market and abroad we ensure **highly performing after sales service.**

In Germany and numerous other countries all over the world, SATA is a **leading paint spray gun manufacturer.** Based on this success, we feel a strong obligation to maintain the high SATA quality standards required by our customers worldwide.



SATA GmbH & Co. KG  
Domertalstraße 20  
70806 Kornwestheim  
Deutschland  
Tel. +49 7154 811-100  
Fax +49 7154 811-196  
E-Mail: [info@sata.com](mailto:info@sata.com)  
[www.sata.com](http://www.sata.com)



